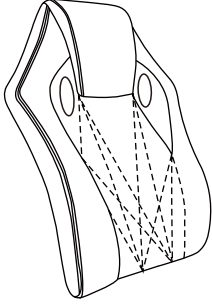
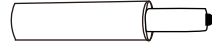
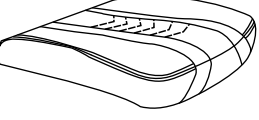
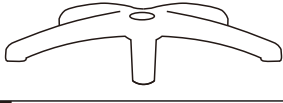
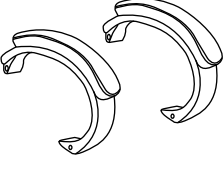
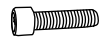
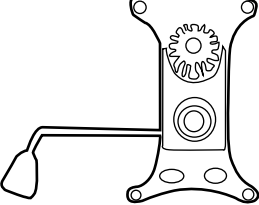
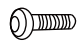
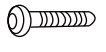



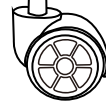



|   |   |
|---|---|
| <b>A</b> x 1  | <b>E</b> x 1  |
|    |          |
| <b>B</b> x 1  | <b>F</b> x 1  |
|    |          |
| <b>C</b> x 2  | <b>G</b> x 4  |
|   |  8x45 mm |
| <b>D</b> x 1  | <b>H</b> x 4  |
|  |  6x20 mm |
|   | <b>I</b> x 4  |
|   |  6x30 mm |
|   | <b>J</b> x 8  |
|   |          |
|   | <b>K</b> x 4  |
|   |          |
|   | <b>L</b> x 2  |
|   |        |
|   | <b>M</b> x 5  |
|   |        |
|   | <b>N</b> x 1  |
|   |        |

