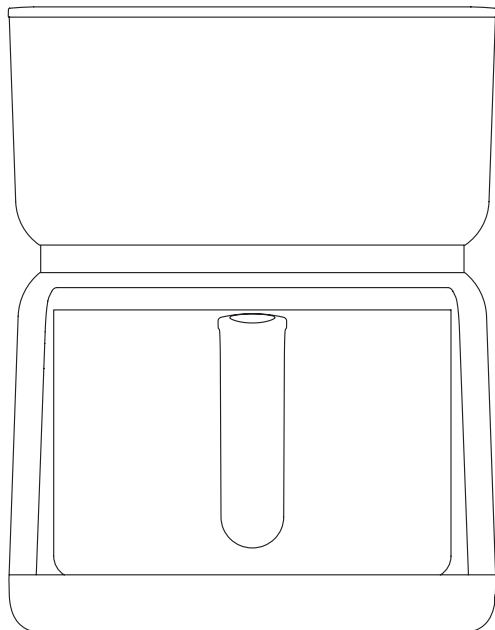


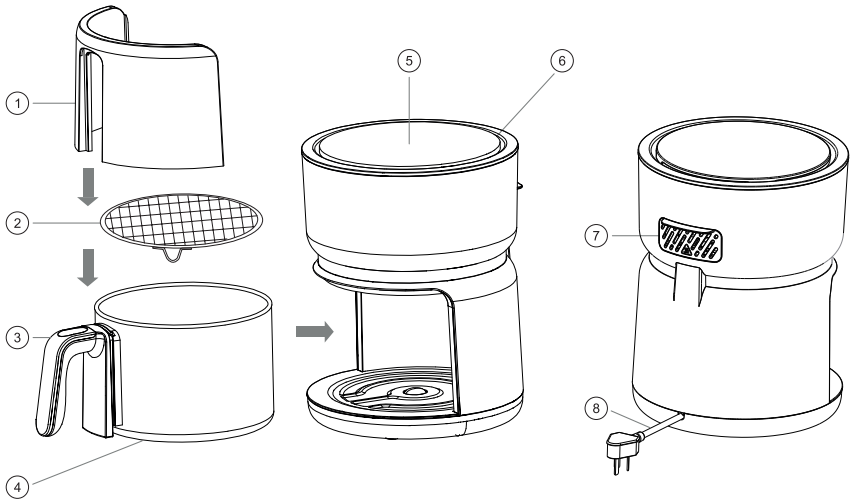


## ABB-G24 PURE GLASS

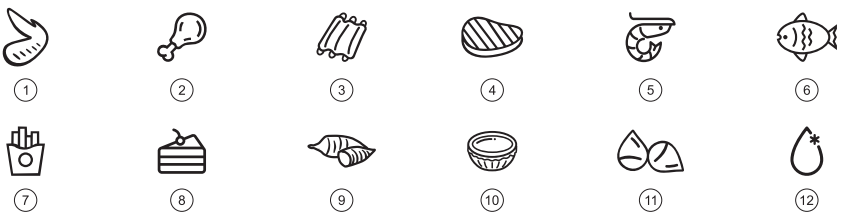


EN	Smart airfryer - user manual .....	3
PL	Inteligentna frytkownica powietrzna - instrukcja obsługi .....	8
DE	Intelligente Heißluftfritteuse - Benutzerhandbuch .....	13
BG	Интелигентен фритюрник - ръководство за потребителя .....	18
CS	Chytrá fritéza - uživatelská příručka .....	23
DA	Smart airfryer - brugervejledning .....	28
EL	Smart airfryer - εγχειρίδιο χρήσης .....	33
ES	Airfryer inteligente - manual de usuario .....	38
ET	Nutikas õhufõõn - kasutusjuhend .....	43
FI	Älykäs ilmankuivain - käyttöohje .....	48
FR	Sèche-cheveux intelligent - manuel d'utilisation .....	53
HU	Intelligens légsütő - felhasználói kézikönyv .....	58
IT	Friggitrice intelligente - manuale d'uso .....	63
LT	Išmanioji oro džiovintuvas - naudotojo vadovas .....	68
LV	Viedā gaisa fritēze - lietotāja rokasgrāmata .....	73
NL	Slimme airfryer - gebruikershandleiding .....	78
NO	Smart airfryer - brukerveiledning .....	83
PT	Secador de ar inteligente - manual do utilizador .....	88
RO	Uscător de aer inteligent - manual de utilizare .....	93
SK	Inteligentná sušička vzduchu - používateľská príručka .....	98
SV	Smart luftfuktare - bruksanvisning .....	103

1



2



## Safety instructions & notice

Please read this manual carefully to understand better how to use the product. Some essential safety tips, including the following, shall be observed during use.

- The appliance cooks food using hot air, without the use any oil. Never pour oil into the unit. Doing so may cause fire, personal injury, damage to the device, and void the warranty.
- We recommend that you connect the device to the mains without using extension cords. The short power cord is specifically designed as a safety measure to reduce the risk of children grabbing or playing with the cord and to protect the user from tripping over a long power cord.
- This device is intended for indoor use only. Never use the device outdoors.
- The device gets warm during operation. Exercise caution when handling the device and accessories to avoid burns or injuries.
- Before use, make sure the device is placed on a level, clean and dry surface.
- Place the device outside the reach of children or anyone whose physical, sensory or mental abilities may prevent them from using it safely.
- To eliminate the risk of choking by small children, remove and discard the protective films and plastic packaging of accessories from the device.
- Do not place the unit near hot gas, ceramic, induction or electric burners. Doing so may cause personal injury, damage to the device and void the warranty.
- To prevent electric shock, never immerse the device's power cord in water or other liquid. Do not rinse the device housing using water or any other liquid. Doing so may cause personal injury, damage to the device and void the warranty.
- Exercise extreme caution when handling hot food and hot surfaces.
- Do not move the device while it is turned on and in operation. Doing so may cause personal injury, damage to the device and void the warranty.
- The frying plate, steel rack and skewers can be very hot during and after frying. Use oven gloves to avoid burns.
- Inspect the device, its power cord and plug regularly. Do not use the device if the power cord or plug is damaged. If the device malfunctions or is damaged in any way, contact the 4Swiss Customer Service Center.
- The device is intended for home use only. Never use the device as professional catering equipment or for any purpose other than its intended use. Doing so may damage the device and void the warranty.
- Do not use abrasive cleaners, steel wool, or scourers to clean the device. See the "Cleaning and Maintenance" section for more information.
- To avoid injury, do not pull the cord over the edge of the countertop.
- Do not cover the air inlets/outlets on the back of the device when it is in operation. This can cause uneven cooking and damage to the device.
- Do not connect the device to an external timer or separate remote control system.
- Leave a minimum of 10 cm of free space around the device for proper air circulation.
- Do not use the device or its accessories in a microwave oven, toaster oven, convection oven, gas oven, electric oven or on a ceramic, electric, gas or induction cooktop or grill. Doing so may cause personal injury, damage to the device and void the warranty.
- Make sure the device is clean before use. Keep the power cord away from hot surfaces.
- The device is equipped with a 3-wire grounded plug. Always plug the power cord into a grounded electrical outlet.
- Unplug the device and allow it to cool down before cleaning or storing.
- Do not heat sealed cans of food in the unit. Doing so may cause personal injury, damage to the device and void the warranty.
- Do not put food in containers that are not suitable for high temperatures, such as plastic bags, polystyrene containers, plastic and paper packaging into the appliance. The use of special bags and baking sleeves is permitted but they must be used with particular caution. Keep in mind that the baking sleeve increases in volume during baking and it is imperative to ensure that the sleeve does not touch the halogen heater and its cover.
- Use the device only with accessories from 4Swiss brand. Using third-party accessories may damage the device and void the warranty.
- Do not place the device on or near flammable surfaces/materials such as pillows, tablecloths or curtains. Doing so may cause personal injury, damage to the device and void the warranty.
- Hot air escapes through the air outlet when the unit is in use. To avoid injury, always keep your hands and face away from vents and air outlets.
- To avoid injury, use caution when opening the device's drawer.
- If smoke starts to come out of the device, unplug it immediately and disperse the smoke before opening the drawer.
- Make sure that food does not protrude over the sides of the device's drawer. Filling the drawer beyond its capacity may result in personal injury, damage to the device and void the warranty.
- Never fill the device with oil. Doing so may cause personal injury, damage to the device and void the warranty.

## Product functions

The 4Swiss ABB-G24 air fryer circulates ultra-hot air around the food, eliminating the need for using oil which would typically be used. The intensive hot air inflow ensures healthier meals while delivering great taste of food which becomes deliciously crispy on the outside and perfectly cooked on the inside. Crispy fries, vegetables, chicken, fish, steaks and more will be just an arm's reach away, plus the device is easy to maintain, quick to clean, free of the typical greasy mess.

The appliance is equipped with a unique, highly effective halogen heating element that both heats and illuminates the food inside the cooking drawer during operation. The halogen is controlled by the thermostat circuit and does not operate continuously. Thus, the visual illumination effect can only be observed during the halogen heating cycle. During operation, the halogen turns on and off at varying intervals (temperature dependent), which is intentional and is the correct mode of the device's operation.

Because safety and user satisfaction are our top priority, the device is built to the highest standards of safety and functionality.

## Technical parameters

Product name: Smart airfryer

Product model: ABB-G24

Drawer capacity: 3L

Rated voltage: 220V

Rated frequency: 50Hz

Rated power: 1200W

## Main unit description

Illustration no. 1

1. Thermal shield
2. Frying plate
3. Drawer handle
4. Glass drawer body
5. Touch panel
6. Air inlet
7. Hot air outlet
8. Power cord

## Control panel description

Illustration no. 2

1. Wings - 180°C - 15 min
2. Drumstick - 180°C - 25 min
3. Spareribs - 180°C - 20 min
4. Steak - 180°C - 12 min
5. Prawns - 170°C - 10 min
6. Fish - 180°C - 15 min
7. Chips - 180°C - 18 min
8. Cake - 160°C - 20 min
9. Yams - 180°C - 35 min
10. Egg Tarts - 160°C - 12 min
11. Chestnut - 180°C - 20 min
12. Defrost - 80°C - 25 min
13. (-) key
14. Digital display
15. Temperature indicator
16. Time indicator
17. (+) key
18. PRE-SET key
19. TIME/TEMP key
20. MENU key
21. START/CANCEL key

## Preparation for use

1. Remove all packaging materials.
2. Clean the grill and glass drawer with hot water, detergent and a non-abrasive sponge. Glass components cannot be cleaned in a dishwasher.
3. Wipe the inside and outside of the product with a damp cloth.
4. Place this product on a stable and flat surface. Enough space should be reserved around the product to ensure that there is a distance of at least 10 cm from the surface to other objects. No objects should be placed in the air inlet or outlet. Do not place the product on a surface that is not heat-resistant.

## Setup and first use

1. Place the frying plate in the drawer and place the food on it. Then slide the drawer into the main housing until it is completely closed.
2. Plug in the device and set the desired time and temperature manually using the control panel or select the desired predefined program.
3. Press the START/STOP key to start baking. For more information on setting the time and temperature, refer to the "Controls and Operation" subsection.
4. Shake or turn the food in the drawer as necessary. To do this, slide out the drawer and carefully turn or shake the food. Slide the drawer back into the housing until it is completely closed. The appliance will remember the time and settings and continue automatically from the moment the cooking was interrupted.

**Note:** You may smell a peculiar smell when using it for the first time. This is normal and not a product fault. Never pour oil or grease into the fryer.

## Using the thermal shield

The device is equipped with a thermal shield that separates the hot parts of the glass bowl and protects the user from burns. The shield is easy to remove for proper washing of the glass drawer. Always use the thermal shield to avoid the risk of accidental burns.

## Controls and operation

### Predefined programs

Press the MENU key in standby mode to select 12 predefined programs. The digital screen will show the numbers 01 to 12. After choosing the program, press the START/STOP key to start baking; press this button again to pause. At this time, the display screen flashes the current menu number and the fan stops working after 10 seconds. Use the +/- keys to set the temperature/time. Press the MENU key for 2 seconds to return to the settable menu number. Press and hold the START/STOP button for 2 seconds in the working state to return to the standby state.

**Note:** The device has a program memory. Opening the glass drawer pauses the heating function, but when the drawer is reinserted, the unit continues to operate the previous settings and the selected program.

### Manual operation

When TIME/TEMP key is pressed, the temperature on the screen flashes, indicating that the temperature can be set; when the key is pressed again, the set time flashes, indicating that the time can be set. When setting the temperature, click the +/- keys to increase or decrease 5°C, and long press the +/- keys to quickly increase or decrease 5°C. When setting the time, click the +/- keys to increase or decrease 1 minute, and long press the +/- keys to quickly increase or decrease 1 minute.

### PRE-SET key

Press the MENU key to select predefined program, then press the PRE-SET key to select a delayed start time. The time on the screen will flash, use the +/- keys to set the time between 1h - 18h. Press the START/STOP key to start the countdown. During the countdown, the unit's buttons will be locked. To stop the countdown, long press the START/STOP key.

**Note:** The temperature and time settings of the following recipes are for reference only. Adjust the settings to the actual size of the meal by correcting the temperature and time yourself.

## Cleaning and maintenance

Allow the device to cool completely before cleaning. Use a clean, damp cloth to wipe the exterior of the device.

Wash the drawer with hot water, detergent and a non-abrasive sponge. The frying plate is dishwasher safe. The frying plate have a non-stick ceramic coating; do not use metal objects or abrasive cleaners to clean them. If there is food residue or other debris in the cavity of the housing, remove it with a damp, clean cloth and then dry the area with a clean, dry cloth.

**Note:** Use metal cutlery or tongs with caution, avoiding direct contact with the tray surface. Do not use abrasive cleaners (wire brush, abrasive sponges, metal tools, etc.) for cleaning.

## Troubleshooting

The following problems do not necessarily mean that the device is faulty. Please read the following section to learn simple solutions to the most common issues.

### Problem 1

The light inside the unit turns on and off periodically.

Information:

The halogen heating element is controlled by the thermostat circuit and does not operate continuously. During operation, the halogen turns on and off at varying intervals (temperature dependent), which is intentional and correct.

### Problem 2

The food is cooked unevenly.

Possible cause:

Some foods need to be turned or shaken during cooking.

Solution:

While the device is running, pull out the drawer and shake the contents or turn the food with a fork or tongs.

### Problem 3

White smoke comes out of the device during the cooking process.

Possible cause:

Grease/oil has accumulated in the device's drawer.

Solution:

Make sure that no grease or oil has accumulated in the drawer. Clean the drawer and fryer plate each time after cooking.

### Problem 4

The drawer does not slide into place.

Possible cause:

The drawer is too full.

Solution:

Do not fill the drawer beyond its capacity. Food should not reach above the top of the drawer.

## Warranty terms and conditions

1. The warranty covers only latent defects attributable to the manufacturer.
2. The claim shall be processed by the point of sale or technical service under the warranty if the Customer produces:
  - a. a valid and clear warranty card filled in properly with a sale stamp and signature of the seller,
  - b. a valid proof of purchase with the date of sale,
  - c. the reported product or defective part. In the case of a remote purchase, the warranty card is valid solely with proof of purchase (receipt/invoice).
3. The claim is resolved within 14 days of the report by the Customer.
4. Manufacturing defects identified in the warranty period shall be repaired free of charge within 21 days following the delivery of the product to the point of sale or technical service.
5. If it is necessary to import parts for the repair, the warranty repair period may be extended by the time required to import the part, not longer than by 40 days.
6. Warranty exclusions:
  - a. mechanical damage and related defects,
  - b. damage and defects resulting from misuse and inappropriate storage, assembly, and maintenance,
  - c. damage and wear of such consumable elements,
  - d. activities related to the assembly or maintenance that are user's obligation in accordance with the manual.
7. The warranty shall not apply when:
  - a. it is past its validity period,
  - b. the Customer had repaired or modified the product using non-genuine parts,
  - c. the defect resulted from incorrect installation or a failure to follow the rules of correct operation by the manual,
  - d. the product is used for purposes other than household use,
  - e. damage occurred during transport.
8. No duplicates of the warranty card are issued.
9. The customer is entitled to the following compensation free of charge:
  - a. product repair,
  - b. product replacement,

- c. reduced price,
  - d. termination of a contract and full cost compensation.
- 10. To report a claim:
  - a. Present the product or its reported part.
  - b. Present the proof of purchase with the name and address of the seller, date and place of purchase, type of product, or valid warranty card with a stamp of the point of sale.
  - c. If the product is delivered dirty, the technical service may refuse to accept it or clean it at the Customer's cost following their written approval.
- 11. If the claim is accepted, the device is repaired or replaced with a new one, or the Customer is reimbursed. Transport costs from the manufacturer's service covers service.
- 12. If the claim is rejected, the Customer is provided with a detailed justification for the decision and the equipment is sent to them at their cost within 14 days following the provision of the decision.

### **Utilization**

Handling of end-of-life waste from electrical and electronic equipment (WEEE legislation).

The marking on the packaging, accessories or instruction manual indicates that end-of-life equipment and attached electronic accessories should not be placed in municipal waste containers with other household waste.

Improper handling of electronic waste may result in contaminants entering the environment or health risks due to improper disposal. Separate this waste from other waste and recycle it so that the raw materials can be reused. For recycling, they are allowing the reuse of raw materials.

## Instrukcje i uwagi dotyczące bezpieczeństwa

Należy uważnie przeczytać niniejszą instrukcję, aby lepiej zrozumieć sposób korzystania z produktu. Podczas użytkowania należy przestrzegać kilku istotnych wskazówek dotyczących bezpieczeństwa, w tym poniższych.

- Urządzenie gotuje potrawy przy użyciu gorącego powietrza, bez użycia oleju. Nie wolno wlewać oleju do urządzenia. Może to spowodować pożar, obrażenia ciała, uszkodzenie urządzenia i utratę gwarancji.
- Zalecamy podłączenie urządzenia do sieci elektrycznej bez użycia przedłużaczy. Krótki przewód zasilający został specjalnie zaprojektowany jako środek bezpieczeństwa w celu zmniejszenia ryzyka złapania lub zabawy przewodem przez dzieci oraz w celu ochrony użytkownika przed potknięciem się o długi przewód zasilający.
- To urządzenie jest przeznaczone wyłącznie do użytku w pomieszczeniach. Nigdy nie używaj urządzenia na zewnątrz.
- Urządzenie nagrzewa się podczas pracy. Należy zachować ostrożność podczas obsługi urządzenia i akcesoriów, aby uniknąć poparzeń lub obrażeń.
- Przed użyciem należy upewnić się, że urządzenie zostało umieszczone na równej, czystej i suchej powierzchni.
- Urządzenie należy umieścić poza zasięgiem dzieci lub osób, których zdolności fizyczne, sensoryczne lub umysłowe mogą uniemożliwić bezpieczne korzystanie z niego.
- Aby wyeliminować ryzyko zadławienia się przez małe dzieci, należy usunąć z urządzenia folie ochronne i plastikowe opakowania akcesoriów.
- Nie należy umieszczać urządzenia w pobliżu gorących palników gazowych, ceramicznych, indukcyjnych lub elektrycznych. Może to spowodować obrażenia ciała, uszkodzenie urządzenia i unieważnienie gwarancji.
- Aby uniknąć porażenia prądem, nigdy nie zanurzaj przewodu zasilającego urządzenia w wodzie lub innej cieczy. Nie wolno płucać obudowy urządzenia wodą ani żadną inną cieczą. Może to spowodować obrażenia ciała, uszkodzenie urządzenia i unieważnienie gwarancji.
- Należy zachować szczególną ostrożność podczas kontaktu z gorącą żywnością i gorącymi powierzchniami.
- Nie wolno przenosić włączonego i działającego urządzenia. Może to spowodować obrażenia ciała, uszkodzenie urządzenia i unieważnienie gwarancji.
- Płyta do smażenia, stalowy ruszt i szaszłyki mogą być bardzo gorące podczas smażenia i po jego zakończeniu. Aby uniknąć poparzeń, należy używać rękawic kuchennych.
- Należy regularnie sprawdzać urządzenie, jego przewód zasilający i wtyczkę. Nie używaj urządzenia, jeśli przewód zasilający lub wtyczka są uszkodzone. Jeśli urządzenie działa nieprawidłowo lub jest w jakikolwiek sposób uszkodzone, należy skontaktować się z Centrum Obsługi Klienta 4Swiss.
- Urządzenie jest przeznaczone wyłącznie do użytku domowego. Nigdy nie używaj urządzenia jako profesjonalnego sprzętu gastronomicznego lub do celów innych niż jego przeznaczenie. Może to spowodować uszkodzenie urządzenia i utratę gwarancji.
- Do czyszczenia urządzenia nie należy używać ściernych środków czyszczących, wełny stalowej ani zmywaków. Więcej informacji można znaleźć w sekcji "Czyszczenie i konserwacja".
- Aby uniknąć obrażeń, nie należy przeciągać przewodu przez krawędź blatu.
- Podczas pracy urządzenia nie wolno zakrywać wlotów/wylotów powietrza z tyłu urządzenia. Może to spowodować nierównomierne gotowanie i uszkodzenie urządzenia.
- Nie podłączaj urządzenia do zewnętrznego zegara sterującego lub oddzielnego systemu zdalnego sterowania.
- Należy pozostawić co najmniej 10 cm wolnej przestrzeni wokół urządzenia w celu zapewnienia odpowiedniej cyrkulacji powietrza.
- Nie używaj urządzenia ani jego akcesoriów w kuchenie mikrofalowej, tosterze, piekarniku konwekcyjnym, piekarniku gazowym, piekarniku elektrycznym ani na ceramicznej, elektrycznej, gazowej lub indukcyjnej płycie kuchennej lub grillu. Może to spowodować obrażenia ciała, uszkodzenie urządzenia i unieważnienie gwarancji.
- Przed użyciem należy upewnić się, że urządzenie jest czyste. Przewód zasilający należy trzymać z dala od gorących powierzchni.
- Urządzenie jest wyposażone w 3-przewodową wtyczkę z uziemieniem. Przewód zasilający należy zawsze podłączać do uzmiennionego gniazda elektrycznego.
- Przed czyszczeniem lub przechowywaniem odłącz urządzenie od zasilania i pozwól mu ostygnąć.
- Nie należy podgrzewać w urządzeniu zamkniętych puszek z żywnością. Może to spowodować obrażenia ciała, uszkodzenie urządzenia i unieważnienie gwarancji.
- Do urządzenia nie należy wkładać żywności w pojemnikach, które nie są przystosowane do wysokich temperatur, takich jak plastikowe torebki, pojemniki styropianowe, opakowania plastikowe i papierowe. Używanie specjalnych torebek i rękawów do pieczenia jest dozwolone, ale należy ich używać ze szczególną ostrożnością. Należy pamiętać, że rękaw do pieczenia zwiększa swoją objętość podczas pieczenia i konieczne jest upewnienie się, że rękaw nie dotyka grzałki halogenowej i jej pokrywy.
- Urządzenia należy używać wyłącznie z akcesoriami marki 4Swiss. Korzystanie z akcesoriów innych firm może spowodować uszkodzenie urządzenia i utratę gwarancji.
- Nie należy umieszczać urządzenia na łatwopalnych powierzchniach/materiałach, takich jak poduszki, obrusy lub zasłony, ani w ich pobliżu. Może to spowodować obrażenia ciała, uszkodzenie urządzenia i unieważnienie gwarancji.
- Gorące powietrze wydostaje się przez wylot powietrza, gdy urządzenie jest używane. Aby uniknąć obrażeń, należy zawsze trzymać ręce i twarz z dala od otworów wentylacyjnych i wylotów powietrza.
- Aby uniknąć obrażeń, należy zachować ostrożność podczas otwierania szuflady urządzenia.



- Jeśli z urządzenia zacznie wydobywać się dym, należy natychmiast odłączyć je od zasilania i rozproszyć dym przed otwarciem szuflady.
- Należy upewnić się, że żywność nie wystaje poza boki szuflady urządzenia. Zapelnienie szuflady ponad jej pojemność może spowodować obrażenia ciała, uszkodzenie urządzenia i unieważnienie gwarancji.
- Nigdy nie napełniaj urządzenia olejem. Może to spowodować obrażenia ciała, uszkodzenie urządzenia i unieważnienie gwarancji.

## Funkcje produktu

Frytkownica powietrzna 4Swiss ABB-G24 cyrkuluje ultra gorące powietrze wokół żywności, eliminując potrzebę stosowania oleju, który zwykle jest używany. Intensywny dopływ gorącego powietrza zapewnia zdrowsze posiłki, zapewniając jednocześnie wspaniały smak potraw, które stają się pysznie chrupiące na zewnątrz i doskonale ugotowane w środku. Chrupiące frytki, warzywa, kurczaki, ryby, steki i inne potrawy będą na wyciągnięcie ręki, a dodatkowo urządzenie jest łatwe w utrzymaniu, szybkie w czyszczeniu i wolne od typowego tłustego bałaganu.

Urządzenie jest wyposażone w unikalny, wysoce efektywny halogenowy element grzewczy, który zarówno podgrzewa, jak i oświetla żywność w komorze podczas pracy. Halogen jest kontrolowany przez obwód termostatu i nie działa w sposób ciągły. W związku z tym efekt oświetlenia wizualnego można zaobserwować tylko podczas cyklu ogrzewania halogenowego. Podczas pracy halogen włącza się i wyłącza w różnych odstępach czasu (w zależności od temperatury), co jest zamierzone i stanowi prawidłowy tryb pracy urządzenia.

Ponieważ bezpieczeństwo i zadowolenie użytkowników są naszym priorytetem, urządzenie zostało skonstruowane zgodnie z najwyższymi standardami bezpieczeństwa i funkcjonalności.

## Parametry techniczne

Nazwa produktu: Frytkownica powietrzna

Model produktu: ABB-G24

Pojemność szuflady: 3L

Napięcie znamionowe: 220 V

Częstotliwość znamionowa: 50 Hz

Moc znamionowa: 1200 W

## Opis jednostki głównej

Ilustracja nr 1

1. Osłona termiczna
2. Płyta do smażenia
3. Uchwyt szuflady
4. Szklany korpus szuflady
5. Panel dotykowy
6. Wlot powietrza
7. Wylot gorącego powietrza
8. Przewód zasilający

## Opis panelu sterowania

Ilustracja nr 2

1. Skrzydełka - 180°C - 15 min
2. Udka - 180°C - 25 min
3. Szparagi - 180°C - 20 min
4. Stek - 180°C - 12 min
5. Krewetki - 170°C - 10 min
6. Ryba - 180°C - 15 min
7. Frytki - 180°C - 18 min
8. Ciasto - 160°C - 20 min
9. Bataty - 180°C - 35 min
10. Tarty jajeczne - 160°C - 12 min
11. Kasztany - 180°C - 20 min
12. Rozmrażanie - 80°C - 25 min
13. (-) przycisk
14. Wyświetlacz cyfrowy

15. Wskaźnik temperatury
16. Wskaźnik czasu
17. (+) przycisk
18. Przycisk PRE-SET
19. Przycisk TIME/TEMP
20. Przycisk MENU
21. Przycisk START/STOP

## Przygotowanie do użycia

1. Usunąć wszystkie materiały opakowaniowe.
2. Grill i szklaną szufladę należy czyścić gorącą wodą, detergentem i nieścierną gąbką. Szklanych elementów nie można myć w zmywarce.
3. Wytrzyj wewnętrzną i zewnętrzną stronę produktu wilgotną ściereczką.
4. Produkt należy umieścić na stabilnej i płaskiej powierzchni. Wokół produktu należy zarezerwować wystarczająco dużo miejsca, aby zapewnić odległość co najmniej 10 cm od powierzchni do innych obiektów. Nie należy umieszczać żadnych przedmiotów we wlocie lub wylocie powietrza. Nie należy umieszczać produktu na powierzchni, która nie jest odporna na wysoką temperaturę.

## Konfiguracja i pierwsze użycie

1. Umieść płytę do smażenia w szufladzie i połóż na niej jedzenie. Następnie wsuń szufladę do głównej obudowy, aż zostanie całkowicie zamknięta.
2. Podłącz urządzenie i ustaw żądany czas i temperaturę ręcznie za pomocą panelu sterowania lub wybierz żądany predefiniowany program.
3. Naciśnij przycisk START/STOP, aby rozpocząć pieczenie. Więcej informacji na temat ustawiania czasu i temperatury można znaleźć w podrozdziale "Sterowanie i obsługa".
4. W razie potrzeby potrząśnij lub obróć żywność w szufladzie. W tym celu wysuń szufladę i ostrożnie obróć lub potrząśnij żywnością. Wsuń szufladę z powrotem do obudowy, aż zostanie całkowicie zamknięta. Urządzenie zapamięta czas i ustawienia i będzie automatycznie kontynuować od momentu, w którym gotowanie zostało przerwane.

**Uwaga:** Podczas pierwszego użycia może być wyczuwalny specyficzny zapach. Jest to normalne zjawisko i nie stanowi wady produktu. Nigdy nie wlewaj oleju ani tłuszczu do urządzenia.

## Używanie osłony termicznej

Urządzenie jest wyposażone w osłonę termiczną, która oddziela gorące części szklanej szuflady i chroni użytkownika przed poparzeniem. Osłonę można łatwo zdjąć w celu prawidłowego umycia szklanej szuflady. Zawsze używaj osłony termicznej, aby uniknąć ryzyka przypadkowego poparzenia.

## Sterowanie i obsługa

### Predefiniowane programy

Naciśnij przycisk MENU w trybie gotowości, aby wybrać 12 predefiniowanych programów. Na ekranie cyfrowym zostaną wyświetlone numery od 01 do 12. Po wybraniu programu naciśnij przycisk START/STOP, aby rozpocząć pieczenie; naciśnij ten przycisk ponownie, aby je wstrzymać. W tym czasie na wyświetlaczu miga numer bieżącego menu, a wentylator przestaje działać po 10 sekundach. Użyj przycisków +/-, aby ustawić temperaturę/czas. Naciśnij przycisk MENU przez 2 sekundy, aby powrócić do ustawianego numeru menu. Naciśnij i przytrzymaj przycisk START/STOP przez 2 sekundy w stanie pracy, aby powrócić do stanu gotowości.

**Uwaga:** Urządzenie posiada pamięć programu. Otwarcie szklanej szuflady powoduje wstrzymanie funkcji grzania, ale po ponownym włożeniu szuflady urządzenie kontynuuje pracę z poprzednimi ustawieniami i wybranym programem.

### Obsługa ręczna

Po naciśnięciu przycisku TIME/TEMP temperatura na ekranie miga, wskazując, że można ustawić temperaturę; po ponownym naciśnięciu przycisku miga ustawiony czas, wskazując, że można ustawić czas. Podczas ustawiania temperatury, kliknij przyciski +/-, aby zwiększyć lub zmniejszyć o 5°C, a następnie naciśnij i przytrzymaj przyciski +/-, aby szybko zwiększyć lub zmniejszyć o 5°C. Podczas ustawiania czasu kliknij przyciski +/-, aby zwiększyć lub zmniejszyć o 1 minutę, a następnie naciśnij i przytrzymaj przyciski +/-, aby szybko zwiększyć lub zmniejszyć o 1 minutę.

### Przycisk PRE-SET

Naciśnij przycisk MENU, aby wybrać predefiniowany program, a następnie naciśnij przycisk PRE-SET, aby wybrać czas opóźnionego startu. Czas na ekranie będzie migać, użyj przycisków +/-, aby ustawić czas w zakresie od 1h do 18h. Naciśnij przycisk START/STOP,

aby rozpocząć odliczanie. Podczas odliczania przyciski urządzenia zostaną zablokowane. Aby zatrzymać odliczanie, naciśnij i przytrzymaj przycisk START/STOP.

**Uwaga:** Ustawienia temperatury i czasu podane w poniższych przepisach mają charakter poglądowy. Dostosuj ustawienia do rzeczywistej wielkości posiłku, samodzielnie korygując temperaturę i czas.

## Czyszczenie i konserwacja

Przed czyszczeniem należy odczekać, aż urządzenie całkowicie ostygnie. Użyj czystej, wilgotnej szmatki do przetrarcia zewnętrznej części urządzenia.

Szufladę należy myć gorącą wodą, detergentem i nieścierną gąbką. Płytę do smażenia można myć w zmywarce. Płyta do smażenia ma nieprzywierającą powłokę ceramiczną; do jej czyszczenia nie należy używać metalowych przedmiotów ani ściernych środków czyszczących. Jeśli we wnętrzu obudowy znajdują się resztki jedzenia lub inne zanieczyszczenia, należy usunąć je wilgotną, czystą szmatką, a następnie osuszyć obszar czystą, suchą szmatką.

**Uwaga:** Należy ostrożnie używać metalowych sztućców lub szczypec, unikając bezpośredniego kontaktu z powierzchnią tacy. Do czyszczenia nie należy używać ściernych środków czyszczących (szczotek drucianych, gąbek ściernych, metalowych narzędzi itp.

## Rozwiązywanie problemów

Poniższe problemy nie muszą oznaczać, że urządzenie jest wadliwe. Zapoznaj się z poniższą sekcją, aby poznać proste rozwiązania najczęstszych problemów.

### Problem 1

Światło wewnątrz urządzenia włącza się i wyłącza okresowo.

#### Informacje:

Halogen grzewczy jest sterowany przez obwód termostatu i nie działa w sposób ciągły. Podczas pracy halogen włącza się i wyłącza w różnych odstępach czasu (w zależności od temperatury), co jest zamierzone i prawidłowe.

### Problem 2

Jedzenie jest nierówno ugotowane.

#### Możliwa przyczyna:

Niektóre potrawy wymagają obracania lub wstrząsania podczas gotowania.

#### Rozwiązanie:

Gdy urządzenie pracuje, wyciągnij szufladę i potrząśnij zawartością lub obróć jedzenie widelcem lub szczypcami.

### Problem 3

Podczas procesu gotowania z urządzenia wydobywa się biały dym.

#### Możliwa przyczyna:

W szufladzie urządzenia nagromadził się tłuszcz/olej.

#### Rozwiązanie:

Upewnij się, że w szufladzie nie nagromadził się tłuszcz ani olej. Szufladę i płytę frytownicy należy czyścić za każdym razem po zakończeniu gotowania.

### Problem 4

Szuflada nie wsuwa się na miejsce.

#### Możliwa przyczyna:

Szuflada jest zbyt pełna.

#### Rozwiązanie:

Nie napełniaj szuflady ponad jej pojemność. Żywność nie powinna sięgać powyżej górnej części szuflady.

## Warunki gwarancji

1. Gwarancja obejmuje wyłącznie wady ukryte, które można przypisać producentowi.
2. Reklamacja zostanie rozpatrzona przez punkt sprzedaży lub serwis techniczny w ramach gwarancji, jeżeli Klient przedstawi:
  - a. ważna i czytelna karta gwarancyjna wypełniona prawidłowo w pieczęć sprzedawcy i podpisem sprzedawcy,
  - b. ważny dowód zakupu z datą sprzedaży, W przypadku zakupu na odległość karta gwarancyjna jest ważna wyłącznie z dowodem zakupu (paragon/faktura).
  - c. zgłoszonego produktu lub wadliwej części. W przypadku zakupu na odległość karta gwarancyjna jest ważna wyłącznie z dowodem zakupu (paragon/faktura).
3. Reklamacja zostanie rozpatrzona w ciągu 14 dni od zgłoszenia przez Klienta.
4. Wady produkcyjne wykryte w okresie gwarancyjnym będą usuwane bezpłatnie w ciągu 21 dni od daty dostarczenia produktu do punktu sprzedaży lub serwisu technicznego.

5. W przypadku konieczności sprowadzenia części do naprawy, okres naprawy gwarancyjnej może zostać przedłużony o czas niezbędny do sprowadzenia części, nie dłużej jednak niż o 40 dni.
6. Wyłączenia gwarancji:
  - a. uszkodzenia mechaniczne i związane z nimi wady,
  - b. uszkodzeń i wad wynikających z niewłaściwego użytkowania oraz niewłaściwego przechowywania, montażu i konserwacji,
  - c. uszkodzenia i zużycia takich elementów eksploatacyjnych,
  - d. czynności związane z montażem lub konserwacją, które są obowiązkiem użytkownika zgodnie z instrukcją.
7. Gwarancja nie ma zastosowania, gdy:
  - a. minął okres jego ważności,
  - b. Klient naprawił lub zmodyfikował produkt przy użyciu nieoryginalnych części,
  - c. wada wynika z nieprawidłowej instalacji lub nieprzestrzegania zasad prawidłowej obsługi zawartych w instrukcji,
  - d. produkt jest używany do celów innych niż domowe,
  - e. uszkodzeń powstałych podczas transportu.
8. Duplikaty karty gwarancyjnej nie są wydawane.
9. Klient ma prawo do następującego bezpłatnego odszkodowania:
  - a. naprawa produktu,
  - b. wymiana produktu,
  - c. obniżona cena,
  - d. rozwiązanie umowy i pełna rekompensata kosztów.
10. Aby zgłosić roszczenie:
  - a. Zaprezentuj produkt lub jego zgłoszoną część.
  - b. Przedstawić dowód zakupu zawierający nazwę i adres sprzedawcy, datę i miejsce zakupu, rodzaj produktu lub ważną kartę gwarancyjną z pieczęcią punktu sprzedaży.
  - c. Jeśli produkt zostanie dostarczony zabrudzony, serwis techniczny może odmówić jego przyjęcia lub wyczyścić go na koszt Klienta po uzyskaniu jego pisemnej zgody.
11. W przypadku uznania reklamacji urządzenie jest naprawiane lub wymieniane na nowe lub Klient otrzymuje zwrot kosztów. Koszty transportu z serwisu producenta pokrywa serwis.
12. W przypadku odrzucenia reklamacji, Klient otrzyma szczegółowe uzasadnienie decyzji, a sprzęt zostanie do niego wysłany na jego koszt w ciągu 14 dni od dostarczenia decyzji.

## **Utylizacja**

Postępowanie ze użytym sprzętem elektrycznym i elektronicznym (przepisy WEEE).

Oznaczenie na opakowaniu, akcesoriach lub instrukcji obsługi wskazuje, że wycofane z eksploatacji urządzenia i dołączone do nich akcesoria elektroniczne nie powinny być umieszczane w pojemnikach na odpady komunalne wraz z innymi odpadami pochodzącymi z gospodarstw domowych.

Niewłaściwe postępowanie z odpadami elektronicznymi może skutkować przedostaniem się zanieczyszczeń do środowiska lub zagrożeniem dla zdrowia z powodu niewłaściwej utylizacji. Odpady te należy oddzielić od innych odpadów i poddać recyklingowi, aby umożliwić ponowne wykorzystanie surowców. Recykling pozwala na ponowne wykorzystanie surowców.

## Sicherheitsanweisungen und Hinweise

Bitte lesen Sie dieses Handbuch sorgfältig durch, um die Verwendung des Produkts besser zu verstehen. Einige wichtige Sicherheitshinweise, darunter die folgenden, müssen während der Benutzung beachtet werden.

- Das Gerät gart die Speisen mit Heißluft, ohne Öl zu verwenden. Gießen Sie niemals Öl in das Gerät. Andernfalls kann es zu Bränden, Verletzungen, Schäden am Gerät und zum Erlöschen der Garantie kommen.
- Wir empfehlen, das Gerät an das Stromnetz anzuschließen, ohne Verlängerungskabel zu verwenden. Das kurze Netzkabel wurde speziell als Sicherheitsmaßnahme entwickelt, um das Risiko zu verringern, dass Kinder nach dem Kabel greifen oder damit spielen, und um den Benutzer vor dem Stolpern über ein langes Netzkabel zu schützen.
- Dieses Gerät ist nur für den Gebrauch in Innenräumen bestimmt. Verwenden Sie das Gerät niemals im Freien.
- Das Gerät wird während des Betriebs warm. Seien Sie beim Umgang mit dem Gerät und dem Zubehör vorsichtig, um Verbrennungen oder Verletzungen zu vermeiden.
- Vergewissern Sie sich vor der Verwendung, dass das Gerät auf einer ebenen, sauberen und trockenen Oberfläche steht.
- Stellen Sie das Gerät außerhalb der Reichweite von Kindern oder anderen Personen auf, deren körperliche, sensorische oder geistige Fähigkeiten eine sichere Benutzung des Geräts verhindern könnten.
- Um die Gefahr des Verschluckens durch kleine Kinder auszuschließen, entfernen Sie die Schutzfolien und Kunststoffverpackungen des Zubehörs vom Gerät und entsorgen Sie sie.
- Stellen Sie das Gerät nicht in der Nähe von heißen Gas-, Keramik-, Induktions- oder Elektroherden auf. Andernfalls kann es zu Verletzungen, Schäden am Gerät und zum Erlöschen der Garantie kommen.
- Um einen elektrischen Schlag zu vermeiden, tauchen Sie das Netzkabel des Geräts niemals in Wasser oder andere Flüssigkeiten. Spülen Sie das Gehäuse des Geräts nicht mit Wasser oder einer anderen Flüssigkeit ab. Andernfalls kann es zu Verletzungen, Schäden am Gerät und zum Erlöschen der Garantie kommen.
- Seien Sie beim Umgang mit heißen Lebensmitteln und heißen Oberflächen äußerst vorsichtig.
- Bewegen Sie das Gerät nicht, während es eingeschaltet und in Betrieb ist. Andernfalls kann es zu Verletzungen, Schäden am Gerät und zum Erlöschen der Garantie kommen.
- Die Bratplatte, das Stahlgestell und die Spieße können während und nach dem Braten sehr heiß sein. Verwenden Sie Ofenhandschuhe, um Verbrennungen zu vermeiden.
- Überprüfen Sie das Gerät, das Netzkabel und den Stecker regelmäßig. Benutzen Sie das Gerät nicht, wenn das Netzkabel oder der Stecker beschädigt ist. Wenn das Gerät nicht funktioniert oder in irgendeiner Weise beschädigt ist, wenden Sie sich an das 4Swiss Customer Service Center.
- Das Gerät ist nur für den Hausgebrauch bestimmt. Verwenden Sie das Gerät niemals als professionelle Catering-Ausrüstung oder für einen anderen als den vorgesehenen Zweck. Andernfalls kann das Gerät beschädigt werden und die Garantie erlischt.
- Verwenden Sie zur Reinigung des Geräts keine Scheuermittel, Stahlwolle oder Scheuermittel. Weitere Informationen finden Sie im Abschnitt "Reinigung und Wartung".
- Um Verletzungen zu vermeiden, ziehen Sie das Kabel nicht über die Kante der Arbeitsplatte.
- Decken Sie die Luftein- und -auslässe auf der Rückseite des Geräts nicht ab, wenn es in Betrieb ist. Dies kann zu ungleichmäßigem Garen und zur Beschädigung des Geräts führen.
- Schließen Sie das Gerät nicht an eine externe Zeitschaltuhr oder ein separates Fernbedienungssystem an.
- Lassen Sie um das Gerät herum einen Freiraum von mindestens 10 cm, damit die Luft gut zirkulieren kann.
- Verwenden Sie das Gerät oder sein Zubehör nicht in einem Mikrowellenherd, Toaster, Umluftofen, Gasherd, Elektroherd oder auf einem Keramik-, Elektro-, Gas- oder Induktionskochfeld oder Grill. Andernfalls kann es zu Verletzungen, Schäden am Gerät und zum Erlöschen der Garantie kommen.
- Vergewissern Sie sich, dass das Gerät vor der Verwendung sauber ist. Halten Sie das Netzkabel von heißen Oberflächen fern.
- Das Gerät ist mit einem 3-adrigen geerdeten Stecker ausgestattet. Schließen Sie das Netzkabel immer an eine geerdete Steckdose an.
- Ziehen Sie den Netzstecker und lassen Sie das Gerät abkühlen, bevor Sie es reinigen oder lagern.
- Erhitzen Sie keine versiegelten Dosen mit Lebensmitteln im Gerät. Andernfalls kann es zu Verletzungen, Schäden am Gerät und zum Erlöschen der Garantie kommen.
- Geben Sie keine Lebensmittel in Behältern, die nicht für hohe Temperaturen geeignet sind, wie z. B. Plastiktüten, Styroporbehälter, Plastik- und Papierverpackungen, in das Gerät. Die Verwendung von Spezialbeuteln und Backhülsen ist zulässig, muss aber mit besonderer Vorsicht erfolgen. Beachten Sie, dass die Backhülse während des Backvorgangs an Volumen zunimmt und unbedingt darauf zu achten ist, dass die Hülse nicht den Halogenofen und dessen Abdeckung berührt.
- Verwenden Sie das Gerät nur mit Zubehör der Marke 4Swiss. Die Verwendung von Fremdzubehör kann das Gerät beschädigen und zum Erlöschen der Garantie führen.
- Stellen Sie das Gerät nicht auf oder in die Nähe von brennbaren Oberflächen/Materialien wie Kissen, Tischdecken oder Vorhängen. Andernfalls kann es zu Verletzungen, Schäden am Gerät und zum Erlöschen der Garantie kommen.
- Wenn das Gerät in Betrieb ist, entweicht heiße Luft durch den Luftauslass. Um Verletzungen zu vermeiden, halten Sie Ihre Hände und Ihr Gesicht stets von Lüftungsöffnungen und Luftauslässen fern.
- Um Verletzungen zu vermeiden, sollten Sie beim Öffnen der Schublade des Geräts vorsichtig vorgehen.

- Wenn Rauch aus dem Gerät aufsteigt, ziehen Sie sofort den Netzstecker und zerstreuen Sie den Rauch, bevor Sie die Schublade öffnen.
- Achten Sie darauf, dass die Lebensmittel nicht über die Seiten der Schublade des Geräts herausragen. Wenn Sie die Schublade über ihr Fassungsvermögen hinaus füllen, kann dies zu Verletzungen, Schäden am Gerät und zum Erlöschen der Garantie führen.
- Füllen Sie das Gerät niemals mit Öl. Andernfalls kann es zu Verletzungen, Schäden am Gerät und zum Erlöschen der Garantie kommen.

## Produktfunktionen

Die 4Swiss ABB-G24 Heißluftfritteuse lässt ultraheiße Luft um die Lebensmittel zirkulieren, wodurch die Verwendung von Öl, das normalerweise verwendet wird, überflüssig wird. Der intensive Heißluftstrom sorgt für gesündere Mahlzeiten und liefert gleichzeitig einen hervorragenden Geschmack der Speisen, die aussen köstlich knusprig und innen perfekt gegart werden. Knusprige Pommes frites, Gemüse, Hähnchen, Fisch, Steaks und vieles mehr sind nur eine Handbreit entfernt, und das Gerät ist einfach zu warten, schnell zu reinigen und frei von der typischen fettigen Verschmutzung.

Das Gerät ist mit einem einzigartigen, hochwirksamen Halogen-Heizelement ausgestattet, das die Speisen im Inneren des Garraums während des Betriebs sowohl erwärmt als auch beleuchtet. Das Halogen wird durch den Thermostatkreislauf gesteuert und arbeitet nicht kontinuierlich. Daher ist der visuelle Beleuchtungseffekt nur während des Halogenheizzyklus zu beobachten. Während des Betriebs schaltet sich das Halogen in unterschiedlichen Intervallen ein und aus (temperaturabhängig), was beabsichtigt ist und der korrekten Funktionsweise des Geräts entspricht.

Da Sicherheit und Benutzerszufriedenheit für uns oberste Priorität haben, wurde das Gerät nach den höchsten Sicherheits- und Funktionsstandards gebaut.

## Technische Parameter

Produktname: Smart airfryer

Produktmodell: ABB-G24

Fassungsvermögen der Schublade: 3L

Nennspannung: 220V

Nennfrequenz: 50Hz

Nennleistung: 1200W

## Beschreibung der Haupteinheit

Abbildung Nr. 1

1. Hitzeschild
2. Bratplatte
3. Griff der Schublade
4. Schubladenkörper aus Glas
5. Bedienfeld
6. Lufteinlass
7. Heißluftauslass
8. Netzkabel

## Beschreibung des Bedienfelds

Abbildung Nr. 2

1. Flügel - 180°C - 15 min
2. Trommelstock - 180°C - 25 min
3. Spareribs - 180°C - 20 min
4. Steak - 180°C - 12 min
5. Garnelen - 170°C - 10 min
6. Fisch - 180°C - 15 min
7. Chips - 180°C - 18 min
8. Torte - 160°C - 20 min
9. Süßkartoffeln - 180°C - 35 min
10. Eierkuchen - 160°C - 12 min
11. Kastanie - 180°C - 20 min
12. Abtauen - 80°C - 25 min
13. (-)-Taste

14. Digitale Anzeige
15. Temperaturanzeige
16. Zeitanzeige
17. (+) Taste
18. PRE-SET-Taste
19. TIME/TEMP-Taste
20. MENU-Taste
21. START/CANCEL-Taste

### **Vorbereitung für den Einsatz**

1. Entfernen Sie alle Verpackungsmaterialien.
2. Reinigen Sie den Grill und die Glasschublade mit heißem Wasser, Spülmittel und einem nicht scheuernden Schwamm. Die Glasteile können nicht in der Spülmaschine gereinigt werden.
3. Wischen Sie die Innen- und Außenseite des Produkts mit einem feuchten Tuch ab.
4. Stellen Sie dieses Produkt auf eine stabile und ebene Fläche. Um das Gerät herum sollte genügend Platz sein, um sicherzustellen, dass ein Abstand von mindestens 10 cm zwischen der Oberfläche und anderen Gegenständen besteht. Es dürfen keine Gegenstände in den Lufteinlass oder -auslass gestellt werden. Stellen Sie das Gerät nicht auf eine Oberfläche, die nicht hitzebeständig ist.

### **Einrichtung und erste Nutzung**

1. Legen Sie die Bratplatte in die Schublade und legen Sie die Speisen darauf. Schieben Sie dann die Schublade in das Hauptgehäuse, bis sie vollständig geschlossen ist.
2. Schließen Sie das Gerät an und stellen Sie die gewünschte Zeit und Temperatur manuell über das Bedienfeld ein oder wählen Sie das gewünschte vordefinierte Programm.
3. Drücken Sie die Taste START/STOP, um den Backvorgang zu starten. Weitere Informationen zur Einstellung von Zeit und Temperatur finden Sie im Unterabschnitt "Bedienelemente und Bedienung".
4. Schütteln oder wenden Sie die Lebensmittel in der Schublade nach Bedarf. Schieben Sie dazu die Schublade heraus und wenden oder schütteln Sie die Lebensmittel vorsichtig. Schieben Sie die Schublade wieder in das Gehäuse, bis sie vollständig geschlossen ist. Das Gerät merkt sich die Zeit und die Einstellungen und setzt den Garvorgang automatisch an der Stelle fort, an der er unterbrochen wurde.

**Hinweis:** Bei der ersten Benutzung können Sie einen eigenartigen Geruch wahrnehmen. Das ist normal und kein Produktfehler. Füllen Sie niemals Öl oder Fett in den Airfryer.

### **Verwendung des Hitzeschilds**

Das Gerät ist mit einem Hitzeschild ausgestattet, der die heißen Teile der Glasschale voneinander trennt und den Benutzer vor Verbrennungen schützt. Der Hitzeschild lässt sich zum Reinigen der Glasschale leicht abnehmen. Verwenden Sie immer das Hitzeschild, um das Risiko von Verbrennungen zu vermeiden.

### **Steuerung und Betrieb**

#### **Vordefinierte Programme**

Drücken Sie die Taste MENU im Standby-Modus, um 12 vordefinierte Programme auszuwählen. Auf dem digitalen Bildschirm werden die Zahlen 01 bis 12 angezeigt. Nach der Auswahl des Programms drücken Sie die Taste START/STOP, um den Backvorgang zu starten; drücken Sie diese Taste erneut, um ihn zu unterbrechen. Zu diesem Zeitpunkt blinkt auf dem Display die aktuelle Menünummer und der Lüfter schaltet sich nach 10 Sekunden ab. Verwenden Sie die Tasten +/-, um die Temperatur/Zeit einzustellen. Drücken Sie die Taste MENU für 2 Sekunden, um zur einstellbaren Menünummer zurückzukehren. Halten Sie die START/STOP-Taste im Arbeitszustand 2 Sekunden lang gedrückt, um in den Standby-Zustand zurückzukehren.

**Hinweis:** Das Gerät verfügt über einen Programmspeicher. Beim Öffnen der Glasschublade wird die Heizfunktion unterbrochen, aber wenn die Schublade wieder eingesetzt wird, arbeitet das Gerät mit den vorherigen Einstellungen und dem gewählten Programm weiter

#### **Manuelle Bedienung**

Wenn die Taste TIME/TEMP gedrückt wird, blinkt die Temperatur auf dem Bildschirm und zeigt an, dass die Temperatur eingestellt werden kann; wenn die Taste erneut gedrückt wird, blinkt die eingestellte Zeit und zeigt an, dass die Zeit eingestellt werden kann. Beim Einstellen der Temperatur klicken Sie auf die Tasten +/-, um die Temperatur um 5°C zu erhöhen oder zu verringern, und drücken Sie lange auf die Tasten +/-, um sie schnell um 5°C zu erhöhen oder zu verringern. Bei der Einstellung der Uhrzeit klicken Sie auf die Tasten +/-, um die Zeit um 1 Minute zu erhöhen oder zu verringern, und drücken Sie lange auf die Tasten +/-, um die Zeit schnell um 1 Minute zu erhöhen oder zu verringern.

### **PRE-SET-Taste**

Drücken Sie die Taste MENU, um das vordefinierte Programm auszuwählen, und drücken Sie dann die Taste PRE-SET, um eine verzögerte Startzeit auszuwählen. Die Zeit auf dem Bildschirm blinkt, mit den Tasten +/- können Sie die Zeit zwischen 1h und 18h einstellen. Drücken Sie die START/STOP-Taste, um den Countdown zu starten. Während des Countdowns sind die Tasten des Geräts gesperrt. Um den Countdown zu stoppen, drücken Sie lange auf die START/STOP-Taste.

**Hinweis:** Die Temperatur- und Zeitangaben in den folgenden Rezepten dienen nur als Referenz. Passen Sie die Einstellungen an die tatsächliche Größe der Mahlzeit an, indem Sie die Temperatur und die Zeit selbst korrigieren.

## **Reinigung und Wartung**

Lassen Sie das Gerät vor der Reinigung vollständig abkühlen. Verwenden Sie ein sauberes, feuchtes Tuch, um die Außenseite des Geräts abzuwischen.

Waschen Sie die Schublade mit heißem Wasser, Spülmittel und einem nicht scheuernden Schwamm. Die Bratplatte ist spülmaschinenfest. Die Bratplatte ist mit einer Antihaf-Keramikbeschichtung versehen; verwenden Sie keine Metallgegenstände oder Scheuermittel, um sie zu reinigen. Wenn sich Speisereste oder andere Verunreinigungen im Hohlraum des Gehäuses befinden, entfernen Sie diese mit einem feuchten, sauberen Tuch und trocknen Sie den Bereich anschließend mit einem sauberen, trockenen Tuch ab.

**Hinweis:** Verwenden Sie Metallbesteck oder Zangen mit Vorsicht und vermeiden Sie den direkten Kontakt mit der Oberfläche des Tablett. Verwenden Sie zur Reinigung keine Scheuermittel (Drahtbürste, Scheuerschwämme, Metallwerkzeuge usw.).

## **Fehlersuche**

Die folgenden Probleme bedeuten nicht unbedingt, dass das Gerät defekt ist. Bitte lesen Sie den folgenden Abschnitt, um einfache Lösungen für die häufigsten Probleme zu finden.

### **Problem 1**

Das Licht im Inneren des Geräts schaltet sich in regelmäßigen Abständen ein und aus.

#### Informationen:

Das Halogenheizelement wird durch den Thermostatkreislauf gesteuert und arbeitet nicht kontinuierlich. Während des Betriebs schaltet sich das Halogen in unterschiedlichen Intervallen ein und aus (temperaturabhängig), was beabsichtigt und korrekt ist.

### **Problem 2**

Das Essen ist ungleichmäßig gegart.

#### Mögliche Ursache:

Einige Lebensmittel müssen während des Kochens gewendet oder geschüttelt werden.

#### Lösung:

Ziehen Sie bei laufendem Gerät die Schublade heraus und schütteln Sie den Inhalt oder wenden Sie die Lebensmittel mit einer Gabel oder Zange.

### **Problem 3**

Während des Garvorgangs tritt weißer Rauch aus dem Gerät aus.

#### Mögliche Ursache:

In der Schublade des Geräts hat sich Fett/Öl angesammelt.

#### Lösung:

Achten Sie darauf, dass sich kein Fett oder Öl in der Schublade angesammelt hat. Reinigen Sie die Schublade und die Frittierplatte jedes Mal nach dem Kochen.

### **Problem 4**

Die Schublade lässt sich nicht einschieben.

#### Mögliche Ursache:

Die Schublade ist zu voll.

#### Lösung:

Füllen Sie die Schublade nicht über ihr Fassungsvermögen hinaus. Die Lebensmittel sollten nicht über den oberen Rand des Fachs hinausragen.

## **Garantiebestimmungen und -bedingungen**

1. Die Garantie gilt nur für versteckte Mängel, die dem Hersteller zuzuschreiben sind.
2. Die Reklamation wird von der Verkaufsstelle oder dem technischen Dienst im Rahmen der Garantie bearbeitet, wenn der Kunde sie vorlegt:
  - a. eine gültige und eindeutige Garantiekarte, die ordnungsgemäß ausgefüllt und mit einem Verkaufsstempel und der Unterschrift des Verkäufers versehen ist,



- b. einen gültigen Kaufnachweis mit dem Verkaufsdatum,
  - c. das gemeldete Produkt oder defekte Teil. Im Falle eines Fernkaufs ist die Garantiekarte nur mit einem Kaufnachweis (Quittung/Rechnung) gültig.
- 3. Die Reklamation ist innerhalb von 14 Tagen nach der Meldung durch den Kunden zu erledigen.
- 4. Während der Garantiezeit festgestellte Herstellungsfehler werden innerhalb von 21 Tagen nach der Lieferung des Produkts an die Verkaufsstelle oder den technischen Kundendienst kostenlos behoben.
- 5. Müssen für die Reparatur Teile importiert werden, so kann die Gewährleistungsreparaturfrist um die für den Import des Teils erforderliche Zeit, höchstens jedoch um 40 Tage, verlängert werden.
- 6. Die Garantie ist ausgeschlossen:
  - a. mechanische Schäden und damit verbundene Mängel,
  - b. Schäden und Mängel, die durch unsachgemäßen Gebrauch, unsachgemäße Lagerung, Montage und Wartung entstehen,
  - c. Beschädigung und Abnutzung solcher Verbrauchselemente,
  - d. Tätigkeiten, die im Zusammenhang mit der Montage oder Wartung stehen und die gemäß dem Handbuch zu den Pflichten des Benutzers gehören.
- 7. Die Garantie gilt nicht, wenn:
  - a. seine Gültigkeitsdauer abgelaufen ist,
  - b. der Kunde das Produkt unter Verwendung von Nicht-Originalteilen repariert oder verändert hat,
  - c. der Defekt auf eine unsachgemäße Installation oder auf die Nichtbeachtung der in der Bedienungsanleitung enthaltenen Regeln für den korrekten Betrieb zurückzuführen ist,
  - d. das Produkt für andere Zwecke als den Hausgebrauch verwendet wird,
  - e. während des Transports entstandenen Schäden.
- 8. Es werden keine Duplikate der Garantiekarte ausgestellt.
- 9. Der Kunde hat Anspruch auf die folgenden kostenlosen Entschädigungen:
  - a. Produktreparatur,
  - b. Produktaustausch,
  - c. reduzierter Preis,
  - d. Beendigung eines Vertrages und voller Kostenersatz.
- 10. Zur Meldung eines Schadens:
  - a. Präsentieren Sie das Produkt oder seinen gemeldeten Teil.
  - b. Legen Sie den Kaufbeleg vor, der den Namen und die Adresse des Verkäufers, das Kaufdatum und den Kaufort, den Produkttyp oder eine gültige Garantiekarte mit einem Stempel der Verkaufsstelle enthält.
  - c. Wird das Produkt verschmutzt angeliefert, kann der technische Dienst die Annahme verweigern oder es auf Kosten des Kunden nach dessen schriftlicher Zustimmung reinigen.
- 11. Wird die Reklamation anerkannt, wird das Gerät repariert oder durch ein neues ersetzt, oder der Kunde erhält eine Rückerstattung. Die Transportkosten für den Service des Herstellers werden übernommen.
- 12. Wird der Antrag abgelehnt, erhält der Kunde eine ausführliche Begründung für die Entscheidung und das Gerät wird ihm innerhalb von 14 Tagen nach Bekanntgabe der Entscheidung auf seine Kosten zugesandt.

### **Inanspruchnahme**

Umgang mit Elektro- und Elektronik-Altgeräten (WEEE-Gesetzgebung).

Die Kennzeichnung auf der Verpackung, dem Zubehör oder der Gebrauchsanweisung weist darauf hin, dass Altgeräte und beigefügtes elektronisches Zubehör nicht zusammen mit anderem Hausmüll in die Hausmülltonne gegeben werden dürfen. Unsachgemäßer Umgang mit Elektronikschrott kann dazu führen, dass Schadstoffe in die Umwelt gelangen oder die Gesundheit durch unsachgemäße Entsorgung gefährdet wird. Trennen Sie diesen Abfall von anderen Abfällen und recyceln Sie ihn, damit die Rohstoffe wiederverwendet werden können. Beim Recycling ist die Wiederverwendung von Rohstoffen erlaubt.

## Инструкции за безопасност и предупреждение

Моля, прочетете внимателно това ръководство, за да разберете по-добре как да използвате продукта. По време на употреба трябва да се спазват някои основни съвети за безопасност, включително следните.

- Уредът приготвя храната с помощта на горещ въздух, без да използва масло. Никога не наливайте масло в уреда. Това може да доведе до пожар, нараняване на хора, повреда на уреда и да доведе до отпадане на гаранцията.
- Препоръчваме ви да свържете устройството към електрическата мрежа, без да използвате удължители. Късият захранващ кабел е специално проектиран като мярка за безопасност, за да се намали рискът децата да хванат или да си играят с кабела и да се предпази потребителят от спъване в дълъг захранващ кабел.
- Това устройство е предназначено само за употреба на закрито. Никога не използвайте устройството на открито.
- Устройството се загрява по време на работа. Бъдете внимателни при работа с устройството и аксесоарите, за да избегнете изгаряния или наранявания.
- Преди употреба се уверете, че устройството е поставено върху равна, чиста и суха повърхност.
- Поставете устройството на място, недостъпно за деца или лица, чиито физически, сетивни или умствени способности могат да им попречат да го използват безопасно.
- За да избегнете риска от задавяне на малки деца, отстранете и изхвърлете защитните фолия и пластмасовите опаковки на аксесоарите от устройството.
- Не поставяйте уреда в близост до горещи газове, керамични, индукционни или електрически горелки. Това може да доведе до телесни наранявания, повреда на устройството и да доведе до отпадане на гаранцията.
- За да предотвратите токов удар, никога не потапяйте захранващ кабел на устройството във вода или друга течност. Не изпаквайте корпуса на устройството с вода или друга течност. Това може да доведе до нараняване на хора, повреда на устройството и да доведе до отпадане на гаранцията.
- Бъдете изключително внимателни, когато боравите с гореща храна и горещи повърхности.
- Не премествайте устройството, докато то е включено и работи. Това може да доведе до нараняване на хора, повреда на устройството и да доведе до отпадане на гаранцията.
- Плочата за пържене, стоманената решетка и шишовите могат да бъдат много горещи по време на пърженето и след него. Използвайте ръкавици за фурна, за да избегнете изгаряния.
- Редовно проверявайте устройството, неговия захранващ кабел и щепсел. Не използвайте устройството, ако захранващият кабел или щепсел е повреден. Ако устройството работи неправилно или е повредено по някакъв начин, свържете се с Център за обслужване на клиенти на 4Swiss.
- Устройството е предназначено само за домашна употреба. Никога не използвайте устройството като професионално кетъринг оборудване или за цели, различни от предназначението му. Това може да доведе до повреда на устройството и до прекратяване на гаранцията.
- Не използвайте абразивни почистващи препарати, стоманена вълна или чистачки за почистване на устройството. За повече информация вижте раздела "Почистване и поддръжка".
- За да избегнете нараняване, не издърпвайте кабела през ръба на плоча.
- Не покривайте въздушните отвори на гърба на устройството, когато то работи. Това може да доведе до неравномерно готвене и повреда на устройството.
- Не свързвайте устройството към външен таймер или отделна система за дистанционно управление.
- Оставете минимум 10 cm свободно пространство около устройството, за да се осигури правилна циркулация на въздуха.
- Не използвайте устройството или неговите аксесоари в микровълнова фурна, тостер, конвекторна фурна, газова фурна, електрическа фурна или върху керамичен, електрически, газов или индукционен готварски плот или грил. Това може да доведе до нараняване на хора, повреда на устройството и да доведе до отпадане на гаранцията.
- Уверете се, че устройството е чисто преди употреба. Пазете захранващия кабел далеч от горещи повърхности.
- Устройството е оборудвано с 3-проводен заземен щепсел. Винаги включвайте захранващия кабел в заземен електрически контакт.
- Изключете устройството от електрическата мрежа и го оставете да изстине, преди да го почистите или съхранявате.
- Не загрявайте запечатани кутии с храна в уреда. Това може да доведе до нараняване на хора, повреда на устройството и да доведе до отпадане на гаранцията.
- Не поставяйте в уреда храна в съдове, които не са подходящи за високи температури, като например найлонови торбички, полистиренови съдове, пластмасови и хартиени опаковки. Използването на специални торбички и ръкави за печене е разрешено, но те трябва да се използват с особено внимание. Имайте предвид, че ръкавът за печене увеличава обема си по време на печене и е задължително да се уверите, че ръкавът не докосва халогенния нагревател и неговия капак.
- Използвайте устройството само с аксесоари от марката 4Swiss. Използването на аксесоари от трети страни може да повреди устройството и да доведе до отпадане на гаранцията.
- Не поставяйте устройството върху или в близост до запалими повърхности/материали, като възглавници, покривки или завеси. Това може да доведе до нараняване на хора, повреда на устройството и да доведе до отпадане на гаранцията.

- Когато уредът се използва, през отвора за въздух излиза горещ въздух. За да избегнете наранявания, винаги дръжте ръцете и лицето си далеч от вентилационните отвори и изходите за въздух.
- За да избегнете наранявания, внимавайте, когато отворите чекмеджето на устройството.
- Ако от устройството започне да излиза дим, незабавно го изключете от електрическата мрежа и разсейте дима, преди да отворите чекмеджето.
- Уверете се, че храната не стърчи над страните на чекмеджето на устройството. Пълненето на чекмеджето над капацитета му може да доведе до нараняване на хора, повреда на устройството и загуба на гаранцията.
- Никога не пълнете устройството с масло. Това може да доведе до нараняване на хора, повреда на устройството и да доведе до отпадане на гаранцията.

### Функции на продукта

Въздушният фритюрник 4Swiss ABB-G24 циркулира свръхгорещ въздух около храната, като по този начин отпада необходимостта от използване на обичайното масло. Интензивният приток на горещ въздух гарантира по-здравословни ястия, като същевременно осигурява отличен вкус на храната, която става апетитно хрупкава отвън и перфектно сготвена отвътре. Хрупкави картофки, зеленчуци, пиле, риба, пържоли и други ще бъдат само на една ръка разстояние, а освен това устройството е лесно за поддръжка, бързо се почиства, без типичната мазна каша.

Уредът е оборудван с уникален, високоэффективен халогенен нагревателен елемент, който едновременно нагрява и осветява храната в чекмеджето за готвене по време на работа. Халогенният елемент се контролира от схемата на термостата и не работи непрекъснато. По този начин визуалният ефект на осветяване може да се наблюдава само по време на цикъла на нагряване на халогена. По време на работа халогенът се включва и изключва на различни интервали (зависещи от температурата), което е умишлено и е правилният режим на работа на устройството.

Тъй като безопасността и удовлетвореността на потребителите са наш основен приоритет, устройството е създадено в съответствие с най-високите стандарти за безопасност и функционалност.

### Технически параметри

Име на продукта: Smart airfryer  
 Модел на продукта: ABB-G24  
 Капацитет на чекмеджето: 3L  
 Номинално напрежение: 220V  
 Номинална честота: 50Hz  
 Номинална мощност: 1200W

### Описание на основната единица

Илюстрация № 1

1. Термичен щит
2. Плоча за пържене
3. Дръжка на чекмеджето
4. Стъклен корпус на чекмеджето
5. Сензорен панел
6. Вход за въздух
7. Изход за горещ въздух
8. Захранващ кабел

### Описание на контролния панел

Илюстрация № 2

1. Крилца - 180°C - 15 мин.
2. Бутчета - 180°C - 25 мин.
3. Спарибс - 180°C - 20 мин.
4. Пържола - 180°C - 12 мин.
5. Скариди - 170°C - 10 мин.
6. Риба - 180°C - 15 мин.
7. Чипс - 180°C - 18 мин.
8. Торта - 160°C - 20 мин.
9. Ямс - 180°C - 35 мин.
10. Яйчни тарталети - 160°C - 12 мин.
11. Кестен - 180°C - 20 мин.

12. Размразяване - 80°C - 25 мин.
13. (-) клавиш
14. Цифров дисплей
15. Индикатор за температура
16. Индикатор за време
17. (+)
18. Клавиш PRE-SET
19. Клавиш TIME/TEMP
20. Клавиш MENU
21. Клавиш START/CANCEL

### Подготовка за употреба

1. Отстранете всички опаковъчни материали.
2. Почистете решетката и стъкленото чекмедже с гореща вода, почистващ препарат и неабразивна гъба. Стъклените компоненти не могат да се почистват в съдомиялна машина.
3. Избършете вътрешната и външната част на продукта с влажна кърпа.
4. Поставете този продукт върху стабилна и равна повърхност. Около продукта трябва да се запази достатъчно пространство, за да се гарантира, че от повърхността до други предмети има разстояние от поне 10 cm. Никакви предмети не трябва да се поставят във входа или изхода за въздух. Не поставяйте продукта върху повърхност, която не е устойчива на топлина.

### Настройване и първа употреба

1. Поставете плочата за пържене в чекмеджето и поставете храната върху нея. След това плъзнете чекмеджето в основния корпус до пълното му затваряне.
2. Включете устройството и задайте желаното време и температура ръчно с помощта на контролния панел или изберете желаната предварително зададена програма.
3. Натиснете клавиша START/STOP, за да започнете печенето. За повече информация относно настройката на времето и температурата, вижте подраздел "Контрол и работа".
4. Разклащайте или обръщайте храната в чекмеджето, ако е необходимо. За тази цел издърпайте чекмеджето и внимателно завъртете или разклатете храната. Плъзнете чекмеджето обратно в корпуса, докато се затвори напълно. Уредът ще запомни времето и настройките и ще продължи автоматично от момента, в който готвенето е било прекъснато.

**Забележка:** При първото използване на продукта може да усетите специфична миризма. Това е нормално и не е грешка на продукта. Никога не изливайте масло или грес във фритюрника.

### Използване на термичния щит

Устройството е оборудвано с термичен щит, който отделя горещите части на стъклената купа и предпазва потребителя от изгаряния. Щитът се отстранява лесно за правилно измиване на стъкленото чекмедже. Винаги използвайте термичния щит, за да избегнете риска от случайни изгаряния.

### Управление и работа

#### Предварително дефинирани програми

Натиснете клавиша MENU в режим на готовност, за да изберете 12 предварително зададени програми. На цифровия екран ще се появят цифрите от 01 до 12. След като изберете програмата, натиснете бутона START/STOP, за да започнете печенето; натиснете отново този бутон, за да спрете печенето. В това време на екрана мига номерът на текущото меню и вентилаторът спира да работи след 10 секунди. Използвайте бутоните +/-, за да настроите температурата/времето. Натиснете клавиша MENU за 2 секунди, за да се върнете към номера на задаваното меню. Натиснете и задръжте бутона START/STOP за 2 секунди в работно състояние, за да се върнете в състояние на готовност.

**Забележка:** Устройството разполага с памет за програми. Отварянето на стъкленото чекмедже спира функцията за нагриване, но когато чекмеджето се постави отново, уредът продължава да работи с предишните настройки и избраната програма.

#### Ръчно управление

Когато се натисне клавишът TIME/TEMP, температурата на екрана мига, което показва, че температурата може да бъде зададена; когато клавишът се натисне отново, зададеното време мига, което показва, че времето може да бъде зададено. Когато задавате температурата, щракнете върху клавишите +/-, за да увеличите или намалите с 5 °C, и натиснете продължително клавишите +/-, за да увеличите или намалите бързо с 5 °C. Когато задавате времето, щракнете върху

бутоните +/-, за да увеличите или намалите с 1 минута, и натиснете продължително бутоните +/-, за да увеличите или намалите бързо с 1 минута.

#### **Клавиш PRE-SET**

Натиснете клавиша MENU, за да изберете предварително зададена програма, след което натиснете клавиша PRE-SET, за да изберете времето за отложен старт. Часът на екрана ще мига, използвайте клавишите +/-, за да зададете времето между 1 ч. - 18 ч. Натиснете клавиша START/STOP, за да стартирате обратното броене. По време на обратното броене бутоните на устройството ще бъдат блокирани. За да спрете обратното броене, натиснете продължително клавиша START/STOP.

**Забележка:** Настройките на температурата и времето на следващите рецепти са само за справка. Регулирайте настройките според действителния размер на ястието, като коригирате температурата и времето сами.

### **Почистване и поддръжка**

Оставете устройството да изстине напълно, преди да го почистите. Използвайте чиста и влажна кърпа, за да избършете външната част на устройството.

Измийте чекмеджето с гореща вода, почистващ препарат и неабразивна гъба. Плочата за пържене може да се мие в съдомиялна машина. Плочата за пържене има незалепващо керамично покритие; не използвайте метални предмети или абразивни почистващи препарати, за да ги почистите. Ако в кухнята на корпуса има остатъци от храна или други замърсявания, отстранете ги с влажна, чиста кърпа и след това подсушете мястото с чиста, суха кърпа.

**Забележка:** Използвайте метални прибори или клещи с повишено внимание, като избягвате пряк контакт с повърхността на тавата. Не използвайте абразивни почистващи средства (телена четка, абразивни гъби, метални инструменти и др.) за почистване.

### **Отстраняване на неизправности**

Следните проблеми не означават непременно, че устройството е повредено. Моля, прочетете следващия раздел, за да научите прости решения на най-често срещаните проблеми.

#### **Проблем 1**

Светлината в устройството се включва и изключва периодично.

##### Информация:

Халогенният нагревателен елемент се контролира от веригата на термостата и не работи непрекъснато. По време на работа халогенът се включва и изключва на различни интервали (в зависимост от температурата), което е умишлено и правилно.

#### **Проблем 2**

Храната се приготвя неравномерно.

##### Възможна причина:

Някои храни трябва да се обръщат или разклащат по време на готвене.

##### Решение:

Докато устройството работи, извадете чекмеджето и разклатете съдържанието или обърнете храната с вилица или клещи.

#### **Проблем 3**

По време на готвенето от устройството излиза бял дим.

##### Възможна причина:

В чекмеджето на устройството се е натрупала мазнина/масло.

##### Решение:

Уверете се, че в чекмеджето не се е натрупала мазнина или масло. Почиствайте чекмеджето и плочата на фритюрника всеки път след готвене.

#### **Проблем 4**

Чекмеджето не се плъзга на мястото си.

##### Възможна причина:

Чекмеджето е твърде пълно.

##### Решение:

Не пълнете чекмеджето повече от капацитета му. Храната не трябва да достига над горната част на чекмеджето.

### **Гаранционни срокове и условия**

1. Гаранцията покрива само скрити дефекти, които се дължат на производителя.
2. Рекламацията се обработва от мястото на продажба или от техническата служба по гаранцията, ако клиентът представи:

- a. валидна и ясна гаранционна карта, попълнена правилно с печат за продажба и подпис на продавача,
  - b. валидно доказателство за покупка с датата на продажба,
  - c. докладвания продукт или дефектна част. В случай на дистанционна покупка гаранционната карта е валидна само с доказателство за покупка (касова бележка/фактура).
3. Искът се решава в рамките на 14 дни от докладването от страна на Клиента.
  4. Производствените дефекти, установени през гаранционния период, се отстраняват безплатно в рамките на 21 дни след доставката на продукта в точката на продажба или в техническия сервиз.
  5. Ако е необходимо да се внесат части за ремонта, периодът на гаранционния ремонт може да бъде удължен с времето, необходимо за внасяне на частите, но не повече от 40 дни.
  6. Изключения от гаранцията:
    - a. механични повреди и свързани с тях дефекти,
    - b. повреди и дефекти в резултат на неправилна употреба и неподходящо съхранение, сглобяване и поддръжка,
    - c. повреда и износване на такива консумативи,
    - d. дейности, свързани с монтажа или поддръжката, които са задължение на потребителя в съответствие с ръководството.
  7. Гаранцията не се прилага, когато:
    - a. срокът му на валидност е изтекъл,
    - b. Клиентът е ремонтирал или модифицирал продукта, като е използвал неоригинални части,
    - c. дефектът е резултат от неправилен монтаж или неспазване на правилата за правилна експлоатация, посочени в ръководството,
    - d. продуктът се използва за цели, различни от домашната употреба,
    - e. повреда, възникнала по време на транспортиране.
  8. Не се издават дубликати на гаранционната карта.
  9. Клиентът има право на следното безплатно обезщетение:
    - a. ремонт на продукта,
    - b. замяна на продукта,
    - c. намалена цена,
    - d. прекратяване на договора и пълно компенсиране на разходите.
  10. За да съобщите за претенция:
    - a. Представете продукта или докладваната част от него.
    - b. Представете доказателство за покупката с името и адреса на продавача, датата и мястото на покупката, вида на продукта или валидна гаранционна карта с печат от мястото на продажба.
    - c. Ако продуктът е доставен мръсен, техническата служба може да откаже да го приеме или да го почисти за сметка на Клиента след писмено одобрение от негова страна.
  11. Ако рекламацията бъде приета, устройството се ремонтира или заменя с ново, или на клиента се възстановяват разходите. Транспортните разходи от сервиза на производителя покриват услугата.
  12. Ако рекламацията бъде отхвърлена, на Клиента се предоставя подробна обосновка на решението и оборудването му се изпраща за негова сметка в рамките на 14 дни след предоставянето на решението.

## Използване

Работа с излезли от употреба отпадъци от електрическо и електронно оборудване (законодателство за ОЕЕО).

Маркировката върху опаковката, аксесоарите или ръководството за употреба показва, че излязлото от употреба оборудване и приложените към него електронни аксесоари не трябва да се поставят в контейнери за битови отпадъци заедно с други битови отпадъци.

Неправилното боравене с електронни отпадъци може да доведе до попадане на замърсители в околната среда или до рискове за здравето поради неправилно изхвърляне. Отделете тези отпадъци от другите отпадъци и ги рециклирайте, за да могат суровините да бъдат използвани отново. За рециклирането те позволяват повторната употреба на суровините.

## Bezpečnostní pokyny a upozornění

Pečlivě si přečtěte tuto příručku, abyste lépe porozuměli používání výrobku. Při používání je třeba dodržovat některé základní bezpečnostní pokyny, včetně následujících.

- Spotřebič připravuje pokrmy pomocí horkého vzduchu bez použití oleje. Do přístroje nikdy nelijte olej. Takový postup může způsobit požár, zranění osob, poškození přístroje a ztrátu záruky.
- Doporučujeme připojit zařízení k elektrické síti bez použití prodlužovacích kabelů. Krátký napájecí kabel je speciálně navržen jako bezpečnostní opatření, které snižuje riziko, že děti uchopí kabel nebo si s ním budou hrát, a chrání uživatele před zakopnutím o dlouhý napájecí kabel.
- Toto zařízení je určeno pouze pro použití v interiéru. Zařízení nikdy nepoužívejte ve venkovním prostředí.
- Zařízení se během provozu zahřívá. Při manipulaci se zařízením a příslušenstvím dbejte zvýšené opatrnosti, aby nedošlo k popálení nebo zranění.
- Před použitím se ujistěte, že je zařízení umístěno na rovném, čistém a suchém povrchu.
- Přístroj umístěte mimo dosah dětí nebo osob, kterým by fyzické, smyslové nebo duševní schopnosti mohly bránit v bezpečném používání.
- Abyste vyloučili riziko udušení malých dětí, odstraňte a vyhodte ze zařízení ochranné fólie a plastové obaly příslušenství.
- Přístroj neumistujte do blízkosti horkých plynových, keramických, indukčních nebo elektrických hořáků. Může to způsobit zranění osob, poškození přístroje a ztrátu záruky.
- Abyste zabránili úrazu elektrickým proudem, nikdy neponořujte napájecí kabel zařízení do vody nebo jiné tekutiny. Neoplachujte kryt zařízení vodou ani jinou tekutinou. Takový postup může způsobit zranění osob, poškození zařízení a ztrátu záruky.
- Při manipulaci s horkými potravinami a horkými povrchy dbejte zvýšené opatrnosti.
- Se zapnutým a provozovaným zařízením nehybejte. Může to způsobit zranění osob, poškození zařízení a ztrátu záruky.
- Fritovací deska, ocelový stojan a špičky mohou být během smažení a po něm velmi horké. Abyste se nepopálili, použijte kuchyňské rukavice.
- Pravidelně kontrolujte zařízení, jeho napájecí kabel a zástrčku. Pokud je napájecí kabel nebo zástrčka poškozená, zařízení nepoužívejte. Pokud zařízení nefunguje správně nebo je jakkoli poškozeno, obraťte se na zákaznické centrum 4Swiss.
- Zařízení je určeno pouze pro domácí použití. Zařízení nikdy nepoužívejte jako profesionální gastronomické zařízení nebo k jiným účelům, než pro které je určeno. Takový postup může vést k poškození zařízení a ke ztrátě záruky.
- K čištění přístroje nepoužívejte abrazivní čisticí prostředky, ocelovou vlnu ani drátěnky. Další informace naleznete v části "Čištění a údržba".
- Aby nedošlo ke zranění, netahejte šňůru přes okraj pracovní desky.
- Za provozu nezakrývejte přívody/vývody vzduchu na zadní straně přístroje. To může způsobit nerovnoměrné vaření a poškození přístroje.
- Nepřipojujte zařízení k externímu časovači nebo samostatnému systému dálkového ovládní.
- Kolem zařízení ponechte minimálně 10 cm volného prostoru pro správnou cirkulaci vzduchu.
- Zařízení ani jeho příslušenství nepoužívejte v mikrovlnné troubě, toustovači, konvektomatu, plynové troubě, elektrické troubě ani na sklokeramické, elektrické, plynové nebo indukční varné desce či grilu. Může to způsobit zranění osob, poškození zařízení a ztrátu záruky.
- Před použitím se ujistěte, že je zařízení čisté. Napájecí kabel udržujte mimo dosah horkých povrchů.
- Zařízení je vybaveno třívodíčovou uzemněnou zástrčkou. Napájecí kabel vždy zapojte do uzemněné elektrické zásuvky.
- Před čištěním nebo skladováním odpojte přístroj od sítě a nechte jej vychladnout.
- V přístroji neohřívejte uzavřené konzervy s potravinami. Může to způsobit zranění osob, poškození přístroje a ztrátu záruky.
- Do spotřebiče nevkládejte potraviny v nádobách, které nejsou vhodné pro vysoké teploty, jako jsou plastové sáčky, polystyrenové nádoby, plastové a papírové obaly. Použití speciálních sáčků a pečících rukávů je povoleno, ale musí být používány se zvláštní opatrností. Mějte na paměti, že pečící rukáv během pečení zvětšuje svůj objem a je nutné zajistit, aby se rukáv nedotýkal halogenového topného tělesa a jeho krytu.
- Zařízení používejte pouze s příslušenstvím značky 4Swiss. Použití příslušenství jiných výrobců může vést k poškození zařízení a ztrátě záruky.
- Přístroj neumistujte na hořlavé povrchy/materiály, jako jsou polštáře, ubrusy nebo závěsy, ani do jejich blízkosti. Může to způsobit zranění osob, poškození zařízení a ztrátu záruky.
- Horký vzduch uniká výstupem vzduchu, když je přístroj v provozu. Abyste předešli zranění, vždy udržujte ruce a obličej v dostatečné vzdálenosti od větracích otvorů a vývodů vzduchu.
- Abyste předešli zranění, buďte při otevírání zásuvky přístroje opatrní.
- Pokud se ze zařízení začne kouřit, okamžitě jej odpojte od sítě a kouř ztýpote ještě před otevřením zásuvky.
- Dbejte na to, aby potraviny nevyčnívaly přes boky zásuvky přístroje. Naplnění zásuvky nad její kapacitu může mít za následek zranění osob, poškození přístroje a ztrátu záruky.
- Přístroj nikdy nenaplňujte olejem. Může to způsobit zranění osob, poškození přístroje a ztrátu záruky.

## Funkce produktu

Vzduchová fritéza 4Swiss ABB-G24 cirkuluje kolem potravin velmi horký vzduch, čímž odpadá nutnost použití oleje, který se obvykle používá. Intenzivní přívod horkého vzduchu zajišťuje zdravější pokrmy a zároveň přináší skvělou chuť jídla, které je na povrchu lahodně křupavé a uvnitř dokonale propečené. Křupavé hranolky, zelenina, kuřecí maso, ryby, steaky a další pokrmy budou na dosah ruky, navíc se přístroj snadno udržuje, rychle čistí a neobsahuje typický mastný nepořádek.

Spotřebič je vybaven jedinečným, vysoce účinným halogenovým topným tělesem, které během provozu ohřívá a osvětluje potraviny uvnitř varné zásuvky. Halogen je řízen obvodem termostatu a nepracuje nepřetržitě. Vizualní efekt osvětlení lze tedy pozorovat pouze během cyklu ohřevu halogenem. Během provozu se halogen zapíná a vypíná v různých intervalech (v závislosti na teplotě), což je záměrné a jedná se o správný režim provozu zařízení.

Protože bezpečnost a spokojenost uživatelů jsou naší nejvyšší prioritou, je zařízení vyrobeno podle nejvyšších standardů bezpečnosti a funkčnosti.

## Technické parametry

Název produktu: Smart airfryer

Model výrobku: ABB-G24

Kapacita zásuvky: 3 l

Jmenovité napětí: 220V

Jmenovitá frekvence: 50Hz

Jmenovitý výkon: 1200 W

## Popis hlavní jednotky

Ilustrace č. 1

1. Tepelný štít
2. Fritovací deska
3. Rukojeť zásuvky
4. Skleněné tělo zásuvky
5. Dotykový panel
6. Přívod vzduchu
7. Výstup horkého vzduchu
8. Napájecí kabel

## Popis ovládacího panelu

Ilustrace č. 2

1. Křídla - 180 °C - 15 min
2. Palička - 180 °C - 25 min
3. Špaličky - 180 °C - 20 minut
4. Steak - 180 °C - 12 min
5. Krevety - 170 °C - 10 minut
6. Ryby - 180 °C - 15 minut
7. Hranolky - 180 °C - 18 min
8. Koláč - 160 °C - 20 min
9. Batáty - 180 °C - 35 minut
10. Vaječné koláče - 160 °C - 12 minut
11. Kaštan - 180 °C - 20 min
12. Rozmrazování - 80 °C - 25 min
13. (-)
14. Digitální displej
15. Indikátor teploty
16. Ukazatel času
17. (+)
18. Tlačítko PRE-SET
19. Tlačítko TIME/TEMP
20. Tlačítko MENU
21. Tlačítko START/CANCEL



## Příprava na použití

1. Odstraňte všechny obalové materiály.
2. Vyčistěte gril a skleněnou zásuvku horkou vodou, mycím prostředkem a neabrazivní houbou. Skleněné součásti nelze mýt v myčce nádobí.
3. Vnitřní i vnější stranu výrobku otřete vlhkým hadříkem.
4. Umístěte tento výrobek na stabilní a rovný povrch. Kolem výrobku by měl být vyhrazen dostatečný prostor, aby byla zajištěna vzdálenost nejméně 10 cm od povrchu k ostatním předmětům. Do přívodu nebo odvodu vzduchu by neměly být umístěny žádné předměty. Výrobek neumísťujte na povrch, který není odolný vůči teplotě.

## Nastavení a první použití

1. Umístěte fritovací talíř do zásuvky a položte na něj potraviny. Poté zasuňte zásuvku do hlavního krytu, dokud se zcela uzavře.
2. Zapojte přístroj a nastavte požadovaný čas a teplotu ručně pomocí ovládacího panelu nebo zvolte požadovaný předdefinovaný program.
3. Stisknutím tlačítka START/STOP zahájíte pečení. Další informace o nastavení času a teploty naleznete v podkapitole "Ovládání a obsluha".
4. Potraviny v zásuvce podle potřeby protřepejte nebo otočte. Za tímto účelem vysuňte zásuvku a potraviny opatrně otočte nebo protřepejte. Zasuňte zásuvku zpět do krytu, dokud nebude zcela uzavřena. Spotřebič si zapamatuje čas a nastavení a bude automaticky pokračovat od okamžiku, kdy bylo vaření přerušeno.

**Poznámka:** Při prvním použití můžete cítit zvláštní zápach. Je to normální a nejedná se o závadu výrobku. Do fritézy nikdy nelijte olej nebo tuk.

## Použití tepelného štítu

Zařízení je vybaveno tepelným štítem, který odděluje horké části skleněné mísy a chrání uživatele před popálením. Štít lze snadno sejmout pro řádné umytí skleněné zásuvky. Tepelný štít vždy používejte, abyste předešli riziku náhodného popálení.

## Ovládání a provoz

### Předdefinované programy

Stisknutím tlačítka MENU v pohotovostním režimu vyberte 12 předdefinovaných programů. Na digitálním displeji se zobrazí čísla 01 až 12. Po výběru programu stiskněte tlačítko START/STOP pro zahájení pečení; opětovným stisknutím tohoto tlačítka pečení pozastavíte. V této době na displeji bliká číslo aktuální nabídky a ventilátor po 10 sekundách přestane pracovat. Pomocí tlačítek +/- nastavte teplotu/čas. Stisknutím tlačítka MENU na 2 sekundy se vrátíte na nastavené číslo nabídky. Stisknutím a podržením tlačítka START/STOP po dobu 2 sekund v pracovním stavu se vrátíte do pohotovostního stavu.

**Poznámka:** Přístroj má paměť na programy. Otevřením skleněné zásuvky se pozastaví funkce ohřevu, ale po opětovném vložení zásuvky přístroj pokračuje v provozu podle předchozího nastavení a zvoleného programu.

### Ruční ovládání

Po stisknutí tlačítka TIME/TEMP bliká teplota na displeji, což znamená, že lze nastavit teplotu; po opětovném stisknutí tlačítka bliká nastavený čas, což znamená, že lze nastavit čas. Při nastavování teploty kliknutím na tlačítka +/- zvýšíte nebo snížíte teplotu o 5 °C a dlouhým stisknutím tlačítek +/- rychle zvýšíte nebo snížíte teplotu o 5 °C. Při nastavování času kliknutím na tlačítka +/- zvýšíte nebo snížíte čas o 1 minutu a dlouhým stisknutím tlačítek +/- rychle zvýšíte nebo snížíte čas o 1 minutu.

### Tlačítko PRE-SET

Stisknutím tlačítka MENU vyberte předdefinovaný program a poté stisknutím tlačítka PRE-SET vyberte čas odloženého startu. Čas na obrazovce bude blikat, pomocí tlačítek +/- nastavte čas v rozmezí 1h - 18h. Stisknutím tlačítka START/STOP spustíte odpočítávání. Během odpočítávání budou tlačítka jednotky zablokována. Chcete-li odpočítávání zastavit, dlouze stiskněte tlačítko START/STOP.

**Poznámka:** Nastavení teploty a času u následujících receptů je pouze orientační. Nastavení přizpůsobte skutečné velikosti pokrmu tak, že sami upravíte teplotu a čas.

## Čištění a údržba

Před čištěním nechte zařízení zcela vychladnout. K očištění vnějšího povrchu zařízení použijte čistý vlhký hadřík.

Zásuvku umyjte horkou vodou, mycím prostředkem a neabrazivní houbou. Fritovací desku lze mýt v myčce nádobí. Fritovací deska má nepřínavy keramický povlak; k jejímu čištění nepoužívejte kovové předměty ani abrazivní čisticí prostředky. Pokud se v dutině krytu nacházejí zbytky jídla nebo jiné nečistoty, odstraňte je vlhkým čistým hadříkem a poté místo osušte čistým suchým hadříkem.

**Poznámka:** Kovové přístroje nebo kleště používejte opatrně a vyhněte se přímému kontaktu s povrchem tácu. K čištění nepoužívejte abrazivní čisticí prostředky (drátěný kartáč, abrazivní houby, kovové nástroje apod.).

## Řešení problémů

Následující problémy nemusí nutně znamenat, že je zařízení vadné. Přečtěte si následující část, kde se dozvíte jednoduchá řešení nejčastějších problémů.

### Problém 1

Světlo uvnitř jednotky se pravidelně rozsvěcuje a zhasíná.

#### Informace:

Halogenové topné těleso je řízeno obvodem termostatu a nepracuje nepřetržitě. Během provozu se halogen zapíná a vypíná v různých intervalech (v závislosti na teplotě), což je záměrné a správné.

### Problém 2

Jídlo je připraveno nerovnoměrně.

#### Možná příčina:

Některé potraviny je třeba během vaření otáčet nebo protřepávat.

#### Řešení:

Za chodu přístroje vytáhněte zásuvku a protřeptejte její obsah nebo potraviny otočte vidličkou či kleštěmi.

### Problém 3

Během vaření vychází z přístroje bílý kouř.

#### Možná příčina:

V zásuvce přístroje se nahromadil tuk/olej.

#### Řešení:

Zkontrolujte, zda se v zásuvce nenahromadil tuk nebo olej. Po každém vaření vyčistěte zásuvku a fritovací desku.

### Problém 4

Zásuvka se nezasouvá na místo.

#### Možná příčina:

Zásuvka je příliš plná.

#### Řešení:

Zásuvku nenaplňujte nad její kapacitu. Potraviny by neměly sahat nad horní okraj zásuvky.

## Záruční podmínky

1. Záruka se vztahuje pouze na skryté vady způsobené výrobcem.
2. Reklamací vyřizuje prodejní místo nebo technický servis v rámci záruky, pokud zákazník předloží:
  - a. platný a čitelný záruční list řádně vyplněný, s prodejním razítkem a podpisem prodávajícího,
  - b. platný doklad o koupi s datem prodeje,
  - c. nahlášený výrobek nebo vadný díl. V případě nákupu na dálku je záruční list platný pouze s dokladem o koupi (účtenka/faktura).
3. Reklamacie je vyřizována do 14 dnů od nahlášení zákazníkem.
4. Výrobní vady zjištěné v záruční době budou bezplatně opraveny do 21 dnů od dodání výrobku na prodejní místo nebo do technického servisu.
5. Pokud je pro opravu nutné dovézt díly, může být doba záruční opravy prodloužena o dobu potřebnou k dovozu dílu, nejdéle však o 40 dní.
6. Výjimky ze záruky:
  - a. mechanické poškození a související závady,
  - b. poškození a závady vzniklé nesprávným používáním a nevhodným skladováním, montáží a údržbou,
  - c. poškození a opotřebení těchto spotřebních prvků,
  - d. činnosti související s montáží nebo údržbou, které jsou v souladu s návodem k obsluze povinností uživatele.
7. Záruka se nevztahuje na:
  - a. je po uplynutí doby platnosti,
  - b. zákazník výrobek opravil nebo upravil s použitím neoriginálních dílů,
  - c. závada vznikla v důsledku nesprávné instalace nebo nedodržení pravidel správné obsluhy podle návodu,
  - d. výrobek se používá k jiným účelům než pro domácnost,
  - e. došlo k poškození během přepravy.
8. Duplikáty záručního listu se nevydávají.
9. Zákazník má nárok na následující bezplatnou náhradu:
  - a. oprava výrobku,
  - b. výměna výrobku,

- c. snížená cena,
  - d. vypovězení smlouvy a plnou náhradu nákladů.
10. Nahlášení pojistné události:
- a. Představte výrobek nebo jeho nahlášenou část.
  - b. Předložte doklad o koupi se jménem a adresou prodejce, datem a místem nákupu, typem výrobku nebo platný záruční list s razítkem prodejního místa.
  - c. Pokud je výrobek dodán znečištěný, může jej technický servis odmítnout převzít nebo jej na náklady zákazníka po jeho písemném souhlasu vyčistit.
11. Pokud je reklama uznána, je zařízení opraveno nebo vyměněno za nové, případně je zákazníkovi vrácena částka. Náklady na dopravu ze servisu výrobce hradí servis.
12. Pokud je reklama zamítnuta, je zákazníkovi poskytnuto podrobné odůvodnění rozhodnutí a zařízení je mu zasláno na jeho náklady do 14 dnů od vydání rozhodnutí.

### Využití

Nakládání s odpadem z elektrických a elektronických zařízení s ukončenou životností (právní předpisy o OEEZ).

Označení na obalu, příslušenství nebo v návodu k použití uvádí, že vyřazené zařízení a připojené elektronické příslušenství by nemělo být odkládáno do kontejnerů na komunální odpad společně s ostatním domovním odpadem.

Nesprávné nakládání s elektronickým odpadem může mít za následek vniknutí kontaminantů do životního prostředí nebo ohrožení zdraví v důsledku nesprávné likvidace. Oddělte tento odpad od ostatního odpadu a recyklujte jej, aby mohly být suroviny znovu použity. Pro recyklaci umožňují opětovné použití surovin.

## Sikkerhedsinstruktioner og -meddelelser

Læs denne vejledning omhyggeligt for at få en bedre forståelse af, hvordan du bruger produktet. Nogle vigtige sikkerhedstips, herunder følgende, skal overholdes under brug.

- Apparatet tilbereder mad ved hjælp af varm luft uden brug af olie. Hæld aldrig olie i apparatet. Det kan forårsage brand, personskade, beskadigelse af apparatet og gøre garantien ugyldig.
- Vi anbefaler, at du slutter enheden til lysnettet uden at bruge forlængerledninger. Den korte netledning er specielt designet som en sikkerhedsforanstaltning for at reducere risikoen for, at børn griber fat i eller leger med ledningen, og for at beskytte brugeren mod at snuble over en lang netledning.
- Denne enhed er kun beregnet til indendørs brug. Brug aldrig enheden udendørs.
- Apparatet bliver varmt under brug. Vær forsigtig ved håndtering af enheden og tilbehøret for at undgå forbrændinger eller skader.
- Før brug skal du sørge for, at enheden er placeret på en plan, ren og tør overflade.
- Placer enheden uden for rækkevidde af børn eller andre, hvis fysiske, sensoriske eller mentale evner kan forhindre dem i at bruge den sikkert.
- For at eliminere risikoen for kvælning af små børn skal du fjerne og kassere beskyttelsesfilmen og plastemballagen til tilbehøret fra enheden.
- Anbring ikke enheden i nærheden af varme gas-, keramik-, induktions- eller elbrændere. Det kan medføre personskade, skade på enheden og gøre garantien ugyldig.
- For at undgå elektrisk stød må enhedens netledning aldrig nedsænkes i vand eller anden væske. Skyl ikke enhedens hus med vand eller anden væske. Det kan medføre personskade, skade på enheden og gøre garantien ugyldig.
- Udvis stor forsigtighed, når du håndterer varm mad og varme overflader.
- Flyt ikke enheden, mens den er tændt og i drift. Det kan medføre personskade, skade på enheden og gøre garantien ugyldig.
- Stegepladen, stålristen og spyddene kan være meget varme under og efter stegningen. Brug ovenhandsker for at undgå forbrændinger.
- Efterse enheden, dens netledning og stik regelmæssigt. Brug ikke enheden, hvis netledningen eller stikket er beskadiget. Hvis enheden ikke fungerer korrekt eller er beskadiget på nogen måde, skal du kontakte 4Swiss' kundeservicecenter.
- Apparatet er kun beregnet til hjemmebrug. Brug aldrig apparatet som professionelt cateringudstyr eller til andre formål end det, det er beregnet til. Det kan beskadige apparatet og gøre garantien ugyldig.
- Brug ikke slibende rengøringsmidler, ståluld eller skuresvampe til at rengøre enheden. Se afsnittet "Rengøring og vedligeholdelse" for mere information.
- For at undgå skader må du ikke trække ledningen ud over kanten af bordpladen.
- Dæk ikke luftindtagene/udtagene på bagsiden af apparatet til, når det er i brug. Det kan medføre ujævn tilberedning og beskadigelse af apparatet.
- Tilslut ikke enheden til en ekstern timer eller et separat fjernbetjeningsystem.
- Lad der være mindst 10 cm fri plads omkring enheden, så luften kan cirkulere ordentligt.
- Brug ikke apparatet eller dets tilbehør i en mikrobølgeovn, brødrister, varmluftsovn, gasovn, elektrisk ovn eller på en keramisk, elektrisk, gas- eller induktionskogeplade eller -grill. Det kan medføre personskade, skade på enheden og gøre garantien ugyldig.
- Sørg for, at enheden er ren før brug. Hold netledningen væk fra varme overflader.
- Apparatet er udstyret med et 3-ledet stik med jordforbindelse. Sæt altid netledningen i en stikkontakt med jordforbindelse.
- Tag stikket ud af stikkontakten, og lad den køle af, før du rengør eller opbevarer den.
- Opvarm ikke forseglede konservesdåser i enheden. Det kan medføre personskade, skade på enheden og gøre garantien ugyldig.
- Læg ikke mad i beholdere, der ikke er egnet til høje temperaturer, som f.eks. plastikposer, polystyrenbeholdere, plastik- og papiremballage, ind i apparatet. Det er tilladt at bruge særlige poser og bagemuffer, men de skal bruges med særlig forsigtighed. Husk, at bagemuffen vokser i volumen under bagningen, og det er vigtigt at sikre, at muffen ikke rører ved halogenvarmeren og dens dæksel.
- Brug kun enheden med tilbehør fra 4Swiss-mærket. Brug af tilbehør fra tredjeparter kan beskadige enheden og gøre garantien ugyldig.
- Anbring ikke enheden på eller i nærheden af brændbare overflader/materialer som f.eks. puder, duge eller gardiner. Det kan medføre personskade, skade på enheden og gøre garantien ugyldig.
- Varm luft slipper ud gennem luftudtaget, når enheden er i brug. For at undgå skader skal du altid holde hænder og ansigt væk fra ventilationsåbninger og luftudtag.
- Vær forsigtig, når du åbner enhedens skuffe, for at undgå skader.
- Hvis der begynder at komme røg ud af apparatet, skal du straks trække stikket ud og fjerne røgen, før du åbner skuffen.
- Sørg for, at maden ikke stikker ud over siderne på apparatets skuffe. Hvis skuffen fyldes ud over dens kapacitet, kan det resultere i personskade, skade på apparatet og gøre garantien ugyldig.
- Fyld aldrig olie på apparatet. Det kan medføre personskade, beskadigelse af apparatet og gøre garantien ugyldig.

## Produktfunktioner

4Swiss ABB-G24 frituregryde cirkulerer ultravarm luft omkring maden, hvilket eliminerer behovet for at bruge olie, som man typisk ville bruge. Den intensive indstrømning af varm luft sikrer sunderede måltider og giver samtidig en fantastisk smag af mad, som bliver lækker sprød udenpå og perfekt tilberedt inde. Sprøde pommes frites, grøntsager, kylling, fisk, bøffer og meget mere er kun en armslængde væk, og så er apparatet nemt at vedligeholde, hurtigt at rengøre og fri for det typiske fedtede rod.

Apparatet er udstyret med et unikt, meget effektivt halogenvarmeelement, der både opvarmer og oplyser maden i kogeskuffen under drift. Halogenet styres af termostat kredsløbet og fungerer ikke kontinuerligt. Derfor kan den visuelle belysningseffekt kun observeres under halogenopvarmningscyklussen. Under drift tændes og slukkes halogenet med varierende intervaller (temperaturafhængigt), hvilket er tilsigtet og er den korrekte måde at bruge apparatet på.

Fordi sikkerhed og brugertilfredshed er vores højeste prioritet, er enheden bygget efter de højeste standarder for sikkerhed og funktionalitet.

## Tekniske parametre

Produkt navn: Smart airfryer

Produkt model: ABB-G24

Skuffekapacitet: 3L

Nominel spænding: 220V

Nominel frekvens: 50Hz

Nominel effekt: 1200W

## Beskrivelse af hovedenheden

Illustration nr. 1

1. Termisk skjold
2. Stegeplade
3. Håndtag til skuffe
4. Skuffekrop af glas
5. Berøringspanel
6. Luftindtag
7. Udløb for varm luft
8. Netledning

## Beskrivelse af kontrolpanel

Illustration nr. 2

1. Vinger - 180°C - 15 min
2. Trommestik - 180°C - 25 min
3. Spareribs - 180°C - 20 min.
4. Bøf - 180°C - 12 min
5. Rejer - 170°C - 10 min
6. Fisk - 180°C - 15 min
7. Chips - 180°C - 18 min
8. Kage - 160°C - 20 min
9. Yams - 180°C - 35 min
10. Æggetærter - 160°C - 12 min
11. Kastanje - 180°C - 20 min
12. Optøning - 80°C - 25 min
13. (-) tast
14. Digitalt display
15. Temperaturindikator
16. Tidsindikator
17. (+)-tasten
18. PRE-SET-tast
19. TIME/TEMP-tast
20. MENU-tast
21. START/AFBRYD-tast

## Forberedelse til brug

1. Fjern alle emballagematerialer.
2. Rengør grillen og glasskuffen med varmt vand, rengøringsmiddel og en ikke-slibende svamp. Glaskomponenter kan ikke rengøres i en opvaskemaskine.
3. Tør produktet af indvendigt og udvendigt med en fugtig klud.
4. Placer dette produkt på en stabil og flad overflade. Der skal være tilstrækkelig plads omkring produktet til at sikre, at der er en afstand på mindst 10 cm fra overfladen til andre genstande. Der må ikke placeres genstande i luftindtaget eller -udtaget. Placer ikke produktet på en overflade, der ikke er varmebestandig.

## Opsætning og første brug

1. Placer stegepladen i skuffen, og læg maden på den. Skub derefter skuffen ind i hovedhuset, indtil den er helt lukket.
2. Tilslut enheden, og indstil den ønskede tid og temperatur manuelt ved hjælp af kontrolpanelet, eller vælg det ønskede foruddefinerede program.
3. Tryk på START/STOP-tasten for at starte bagningen. Se underafsnittet "Kontrol og betjening" for at få flere oplysninger om indstilling af tid og temperatur.
4. Ryst eller vend maden i skuffen efter behov. Det gør du ved at skubbe skuffen ud og forsigtigt vende eller ryste maden. Skub skuffen ind i huset igen, indtil den er helt lukket. Apparatet husker tiden og indstillingerne og fortsætter automatisk fra det øjeblik, hvor tilberedningen blev afbrudt.

**Bemærk:** Du kan lugte en mærkelig lugt, når du bruger den første gang. Det er normalt og ikke en produktfejl. Hæld aldrig olie eller fedt i airfryeren.

## Brug af det termiske skjold

Apparatet er udstyret med et termisk skjold, der adskiller de varme dele af glasskålen og beskytter brugeren mod forbrændinger. Afskærmningen er let at tage af, så glasskuffen kan vaskes ordentligt. Brug altid varmeskjoldet for at undgå risikoen for utilsigtede forbrændinger.

## Kontrol og betjening

### Foruddefinerede programmer

Tryk på MENU-tasten i standbytilstand for at vælge 12 foruddefinerede programmer. Den digitale skærm viser tallene 01 til 12. Når du har valgt programmet, skal du trykke på START/STOP-knappen for at starte bagningen; tryk på denne knap igen for at sætte den på pause. På dette tidspunkt blinker det aktuelle menunummer på displayet, og ventilatoren stopper efter 10 sekunder. Brug +/- tasterne til at indstille temperatur/tid. Tryk på MENU-tasten i 2 sekunder for at vende tilbage til det indstillede menunummer. Tryk på START/STOP-knappen og hold den nede i 2 sekunder i arbejdstilstand for at vende tilbage til standbytilstand.

**Bemærk:** Apparatet har en programhukommelse. Når glasskuffen åbnes, sættes opvarmningsfunktionen på pause, men når skuffen sættes i igen, fortsætter enheden med at bruge de tidligere indstillinger og det valgte program.

### Manuel betjening

Når der trykkes på TIME/TEMP-tasten, blinker temperaturen på skærmen som tegn på, at temperaturen kan indstilles; når der trykkes på tasten igen, blinker den indstillede tid som tegn på, at tiden kan indstilles. Når du indstiller temperaturen, skal du klikke på +/- tasterne for at øge eller mindske 5°C, og tryk længe på +/- tasterne for hurtigt at øge eller mindske 5°C. Når du indstiller tiden, skal du klikke på +/- tasterne for at øge eller mindske 1 minut og trykke længe på +/- tasterne for hurtigt at øge eller mindske 1 minut.

### PRE-SET-tast

Tryk på MENU-tasten for at vælge et foruddefineret program, og tryk derefter på PRE-SET-tasten for at vælge et udskudt starttidspunkt. Tiden på skærmen blinker, brug +/- tasterne til at indstille tiden mellem 1h - 18h. Tryk på START/STOP-tasten for at starte nedtællingen. Under nedtællingen er enhedens knapper låst. For at stoppe nedtællingen skal du trykke længe på START/STOP-tasten.

**Bemærk:** Temperatur- og tidsindstillingerne i de følgende opskrifter er kun vejledende. Juster indstillingerne til måltidets faktiske størrelse ved selv at korrigere temperatur og tid.

## Rengøring og vedligeholdelse

Lad enheden køle helt af før rengøring. Brug en ren, fugtig klud til at tørre enheden af udvendigt.

Vask skuffen med varmt vand, rengøringsmiddel og en ikke-slibende svamp. Stegepladen tåler opvaskemaskine. Stegepladen har en non-stick keramisk belægning; brug ikke metalgenstande eller slibende rengøringsmidler til at rengøre dem. Hvis der er madrester eller andet snavs i husets hulrum, skal du fjerne det med en fugtig, ren klud og derefter tørre området med en ren, tør klud.

**Bemærk:** Brug metalbestik eller -tænger med forsigtighed, og undgå direkte kontakt med bakkens overflade. Brug ikke slibende rengøringsmidler (stålborste, slibesvampe, metalværktøj osv.) til rengøring.

## Fejlfinding

Følgende problemer betyder ikke nødvendigvis, at enheden er defekt. Læs følgende afsnit for at lære enkle løsninger på de mest almindelige problemer.

### Problem 1

Lyset inde i enheden tændes og slukkes med jævne mellemrum.

#### Information:

Halogenvarmeelementet styres af termostat kredsløbet og fungerer ikke kontinuerligt. Under drift tændes og slukkes halogenet med varierende intervaller (temperaturafhængigt), hvilket er tilsigtet og korrekt.

### Problem 2

Maden er ujævnt tilberedt.

#### Mulig årsag:

Nogle fødevarer skal vendes eller rystes under tilberedningen.

#### Løsning:

Mens apparatet kører, skal du trække skuffen ud og ryste indholdet eller vende maden med en gaffel eller en tang.

### Problem 3

Der kommer hvid røg ud af apparatet under tilberedningsprocessen.

#### Mulig årsag:

Der har samlet sig fedt/olie i apparatets skuffe.

#### Løsning:

Sørg for, at der ikke har samlet sig fedt eller olie i skuffen. Rengør skuffen og friturepladen hver gang efter tilberedning.

### Problem 4

Skuffen glider ikke på plads.

#### Mulig årsag:

Skuffen er for fuld.

#### Løsning:

Fyld ikke skuffen ud over dens kapacitet. Maden må ikke nå op over toppen af skuffen.

## Garantibetingelser og -vilkår

1. Garantien dækker kun skjulte fejl, der kan tilskrives producenten.
2. Kravet skal behandles af salgsstedet eller den tekniske service under garantien, hvis kunden fremlægger det:
  - a. et gyldigt og tydeligt garantikort, der er udfyldt korrekt med et salgstempel og sælgerens underskrift,
  - b. et gyldigt købsbevis med salgsdato,
  - c. det rapporterede produkt eller den defekte del. I tilfælde af fjernkøb er garantikortet kun gyldigt med købsbevis (kvittering/faktura).
3. Kravet løses inden for 14 dage efter kundens indberetning.
4. Produktionsfejl, der identificeres i garantiperioden, skal repareres gratis inden for 21 dage efter levering af produktet til salgsstedet eller den tekniske service.
5. Hvis det er nødvendigt at importere dele til reparationen, kan garantireparationsperioden forlænges med den tid, det tager at importere delen, dog højst med 40 dage.
6. Undtagelser fra garantien:
  - a. mekaniske skader og relaterede defekter,
  - b. skader og defekter som følge af forkert brug og u hensigtsmæssig opbevaring, montering og vedligeholdelse,
  - c. skader og slid på sådanne forbrugselementer,
  - d. aktiviteter i forbindelse med montering eller vedligeholdelse, som er brugerens forpligtelse i henhold til manualen.
7. Garantien gælder ikke, når:
  - a. Den har overskredet sin gyldighedsperiode,
  - b. at kunden har repareret eller ændret produktet ved hjælp af uoriginale dele,
  - c. fejlen skyldes forkert installation eller manglende overholdelse af reglerne for korrekt betjening i manualen,
  - d. produktet bruges til andre formål end husholdningsbrug,

- e. skader opstået under transport.
- 8. Der udstedes ingen duplikater af garantikortet.
- 9. Kunden har ret til følgende kompensation uden beregning:
  - a. reparation af produkter,
  - b. produktudskiftning,
  - c. nedsat pris,
  - d. opsigelse af en kontrakt og fuld omkostningskompensation.
- 10. For at anmelde en skade:
  - a. Præsenter produktet eller dets rapporterede del.
  - b. Fremvis købsbeviset med sælgerens navn og adresse, købsdato og -sted, produkttype eller gyldigt garantikort med stempel fra salgsstedet.
  - c. Hvis produktet leveres snavset, kan den tekniske service nægte at modtage det eller rengøre det for kundens regning efter deres skriftlige godkendelse.
- 11. Hvis kravet accepteres, repareres enheden eller udskiftes med en ny, eller kunden får refunderet beløbet. Transportomkostninger fra producentens service dækker service.
- 12. Hvis kravet afvises, får kunden en detaljeret begrundelse for beslutningen, og udstyret sendes til kunden for dennes regning inden for 14 dage efter, at beslutningen er truffet.

### **Udnyttelse**

Håndtering af udtjent affald fra elektrisk og elektronisk udstyr (WEEE-lovgivning).

Mærkningen på emballagen, tilbehøret eller brugsanvisningen angiver, at udtjent udstyr og tilhørende elektronisk tilbehør ikke må lægges i kommunale affaldscontainere sammen med andet husholdningsaffald.

Forkert håndtering af elektronikaffald kan resultere i, at forurenende stoffer kommer ud i miljøet, eller at der opstår sundhedsrisici på grund af forkert bortskaffelse. Adskil dette affald fra andet affald, og genanvend det, så råmaterialerne kan genbruges. Til genbrug tillader de genbrug af råmaterialer.



## Οδηγίες & ειδοποίηση ασφαλείας

Διαβάστε προσεκτικά αυτό το εγχειρίδιο για να κατανοήσετε καλύτερα τον τρόπο χρήσης του προϊόντος. Κατά τη χρήση πρέπει να τηρούνται ορισμένες βασικές συμβουλές ασφαλείας, συμπεριλαμβανομένων των ακόλουθων.

- Η συσκευή μαγειρεύει το φαγητό με ζεστό αέρα, χωρίς τη χρήση λαδιού. Ποτέ μην ρίχνετε λάδι στη συσκευή. Κάτι τέτοιο μπορεί να προκαλέσει πυρκαγιά, σωματικό τραυματισμό, ζημιά στη συσκευή και να ακυρώσει την εγγύηση.
- Συνιστούμε να συνδέετε τη συσκευή στο ηλεκτρικό δίκτυο χωρίς να χρησιμοποιείτε καλώδια προέκτασης. Το κοντό καλώδιο ρεύματος έχει σχεδιαστεί ειδικά ως μέτρο ασφαλείας για να μειωθεί ο κίνδυνος να απείσουν ή να παίζονται τα παιδιά με το καλώδιο και για να προστατευθεί ο χρήστης από το να σκοντάψει σε ένα μακρύ καλώδιο ρεύματος.
- Αυτή η συσκευή προορίζεται μόνο για χρήση σε εσωτερικούς χώρους. Ποτέ μην χρησιμοποιείτε τη συσκευή σε εξωτερικούς χώρους.
- Η συσκευή ζεσταίνεται κατά τη λειτουργία. Να είστε προσεκτικοί όταν χειρίζεστε τη συσκευή και τα εξαρτήματα για να αποφύγετε εγκαύματα ή τραυματισμούς.
- Πριν από τη χρήση, βεβαιωθείτε ότι η συσκευή έχει τοποθετηθεί σε επίπεδη, καθαρή και στεγνή επιφάνεια.
- Τοποθετήστε τη συσκευή εκτός της εμβέλειας των παιδιών ή οποιουδήποτε ατόμου του οποίου οι φυσικές, αισθητηριακές ή διανοητικές ικανότητες μπορεί να το εμποδίσουν να τη χρησιμοποιήσει με ασφάλεια.
- Για να εξαλείψετε τον κίνδυνο πνιγμού από μικρά παιδιά, αφαιρέστε και απορρίψτε τις προστατευτικές μεμβράνες και τις πλαστικές συσκευασίες των εξαρτημάτων από τη συσκευή.
- Μην τοποθετείτε τη συσκευή κοντά σε καυτούς καυστήρες αερίου, κεραμικούς, επαγωγικούς ή ηλεκτρικούς καυστήρες. Κάτι τέτοιο μπορεί να προκαλέσει τραυματισμό, ζημιά στη συσκευή και να ακυρώσει την εγγύηση.
- Για την αποφυγή ηλεκτροπληξίας, μην βυθίζετε ποτέ το καλώδιο τροφοδοσίας της συσκευής σε νερό ή άλλο υγρό. Μην ξεπλένετε το περίβλημα της συσκευής χρησιμοποιώντας νερό ή οποιοδήποτε άλλο υγρό. Κάτι τέτοιο μπορεί να προκαλέσει σωματικό τραυματισμό, ζημιά στη συσκευή και να ακυρώσει την εγγύηση.
- Να είστε ιδιαίτερα προσεκτικοί όταν χειρίζεστε καυτά τρόφιμα και καυτές επιφάνειες.
- Μην μετακινείτε τη συσκευή ενώ είναι ενεργοποιημένη και σε λειτουργία. Κάτι τέτοιο μπορεί να προκαλέσει σωματικό τραυματισμό, ζημιά στη συσκευή και να ακυρώσει την εγγύηση.
- Η πλάκα τηγανίσματος, η ασφάλινη σχάρα και τα σουβλάκια μπορεί να είναι πολύ καυτά κατά τη διάρκεια και μετά το τηγάνισμα. Χρησιμοποιήστε γάντια φούρνου για να αποφύγετε τα εγκαύματα.
- Ελέγχετε τακτικά τη συσκευή, το καλώδιο τροφοδοσίας και το φιλτράρισμα. Μην χρησιμοποιείτε τη συσκευή εάν το καλώδιο ρεύματος ή το φιλτράρισμα έχει υποστεί ζημιά. Εάν η συσκευή παρουσιάσει δυσλειτουργία ή έχει υποστεί βλάβη με οποιοδήποτε τρόπο, επικοινωνήστε με το Κέντρο Εξυπηρέτησης Πελατών της 4Swiss.
- Η συσκευή προορίζεται μόνο για οικιακή χρήση. Ποτέ μην χρησιμοποιείτε τη συσκευή ως επαγγελματικό εξοπλισμό εστίασης ή για οποιοδήποτε άλλο σκοπό εκτός από την προβλεπόμενη χρήση της. Κάτι τέτοιο μπορεί να προκαλέσει ζημιά στη συσκευή και να ακυρώσει την εγγύηση.
- Μην χρησιμοποιείτε λειαντικά καθαριστικά, χαλύβδινο μαλλί ή τρίψιμα για τον καθαρισμό της συσκευής. Ανατρέξτε στην ενότητα "Καθαρισμός και συντήρηση" για περισσότερες πληροφορίες.
- Για να αποφύγετε τραυματισμούς, μην τραβάτε το καλώδιο πάνω από την άκρη του πάγκου.
- Μην καλύπτετε τις εισόδους/εξόδους αέρα στο πίσω μέρος της συσκευής όταν αυτή βρίσκεται σε λειτουργία. Αυτό μπορεί να προκαλέσει ανομοιόμορφο μαγείρεμα και ζημιά στη συσκευή.
- Μην συνδέετε τη συσκευή σε εξωτερικό χρονοδιακόπτη ή ξεχωριστό σύστημα τηλεχειρισμού.
- Αφήστε τουλάχιστον 10 cm ελεύθερο χώρο γύρω από τη συσκευή για την κατάλληλη κυκλοφορία του αέρα.
- Μην χρησιμοποιείτε τη συσκευή ή τα εξαρτήματά της σε φούρνο μικροκυμάτων, τостιέρα, φούρνο συναγωγής, φούρνο αερίου, ηλεκτρικό φούρνο ή σε κεραμική, ηλεκτρική, αερίου ή επαγωγική εστία ή γκριλ. Κάτι τέτοιο μπορεί να προκαλέσει σωματικό τραυματισμό, ζημιά στη συσκευή και να ακυρώσει την εγγύηση.
- Βεβαιωθείτε ότι η συσκευή είναι καθαρή πριν από τη χρήση. Κρατήστε το καλώδιο τροφοδοσίας μακριά από καυτές επιφάνειες.
- Η συσκευή είναι εξοπλισμένη με γειωμένο βύσμα 3 καλωδίων. Συνδέετε πάντα το καλώδιο τροφοδοσίας σε γειωμένη πρίζα.
- Αποσυνδέστε τη συσκευή από την πρίζα και αφήστε την να κρυώσει πριν καθαρίσετε ή αποθηκεύσετε.
- Μην θερμαίνετε σφραγισμένες κονοβέρβες τροφίμων στη μονάδα. Κάτι τέτοιο μπορεί να προκαλέσει τραυματισμό, ζημιά στη συσκευή και να ακυρώσει την εγγύηση.
- Μην τοποθετείτε τρόφιμα σε δοχεία που δεν είναι κατάλληλα για υψηλές θερμοκρασίες, όπως πλαστικές σακούλες, δοχεία από πολυστυρένιο, πλαστικές και χάρτινες συσκευασίες μέσα στη συσκευή. Επιτρέπεται η χρήση ειδικών σακούλων και μανικιών ψήσιματος, αλλά πρέπει να χρησιμοποιούνται με ιδιαίτερη προσοχή. Λάβετε υπόψη σας ότι το μανίκι ψησίματος αυξάνει τον όγκο του κατά τη διάρκεια του ψησίματος και πρέπει οπωσδήποτε να διασφαλίσετε ότι το μανίκι δεν ακουμπάει στο θερμομαντήρα αλογόνου και στο κάλυμμά του.
- Χρησιμοποιήστε τη συσκευή μόνο με αξεσουάρ της μάρκας 4Swiss. Η χρήση αξεσουάρ τρίτων κατασκευαστών μπορεί να προκαλέσει βλάβη στη συσκευή και να ακυρώσει την εγγύηση.
- Μην τοποθετείτε τη συσκευή πάνω ή κοντά σε εύφλεκτες επιφάνειες/υλικά, όπως μαξιλάρια, τραπεζομάντιλα ή κουρτίνες. Κάτι τέτοιο μπορεί να προκαλέσει τραυματισμό, ζημιά στη συσκευή και να ακυρώσει την εγγύηση.
- Ο ζεστός αέρας διαφεύγει από την έξοδο αέρα όταν η μονάδα είναι σε χρήση. Για να αποφύγετε τραυματισμούς, κρατάτε πάντα τα χέρια και το πρόσωπό σας μακριά από τους αεραγωγούς και τις εξόδους αέρα.
- Για να αποφύγετε τραυματισμούς, να είστε προσεκτικοί όταν ανοίγετε το συρτάρι της συσκευής.

- Εάν αρχίσει να βγαίνει καπνός από τη συσκευή, απουσινδέστε την αμέσως από την πρίζα και διαλύστε τον καπνό πριν ανοίξετε το συρτάρι.
- Βεβαιωθείτε ότι τα τρόφιμα δεν προεξέχουν από τις πλευρές του συρταριού της συσκευής. Η πλήρωση του συρταριού πέραν της χωρητικότητάς του μπορεί να οδηγήσει σε τραυματισμό, ζημιά στη συσκευή και ακύρωση της εγγύησης.
- Ποτέ μην γεμίζετε τη συσκευή με λάδι. Κάτι τέτοιο μπορεί να προκαλέσει τραυματισμό, ζημιά στη συσκευή και να ακυρώσει την εγγύηση.

### Λειτουργίες του προϊόντος

Η φριτέζα αέρος 4Swiss ABB-G24 κυκλοφορεί εξαιρετικά θερμό αέρα γύρω από το φαγητό, εξαλείφοντας την ανάγκη χρήσης λαδιού που συνήθως χρησιμοποιείται. Η εντατική εισροή θερμού αέρα εξασφαλίζει πιο υγιεινά γεύματα, ενώ προσφέρει εξαιρετική γεύση στα τρόφιμα, τα οποία γίνονται υπέροχα τραγανά εξωτερικά και τέλεια ψημένα εσωτερικά. Τραγανές πατάτες τηγανιτές, λαχανικά, κοτόπουλο, ψάρι, μπριζόλες και πολλά άλλα θα βρίσκονται σε απόσταση αναπνοής, ενώ επιπλέον η συσκευή είναι εύκολη στη συντήρηση, καθαρίζεται γρήγορα, χωρίς το τυπικό λιπαρό χάος.

Η συσκευή είναι εξοπλισμένη με ένα μοναδικό, εξαιρετικά αποτελεσματικό θερμαντικό στοιχείο αλογόνου που θερμαίνει και φωτίζει τα τρόφιμα μέσα στο συρτάρι μαγειρέματος κατά τη διάρκεια της λειτουργίας. Το αλογόνο ελέγχεται από το κύκλωμα του θερμοστάτη και δεν λειτουργεί συνεχώς. Έτσι, το οπτικό αποτέλεσμα φωτισμού μπορεί να παρατηρηθεί μόνο κατά τη διάρκεια του κύκλου θέρμανσης με αλογόνο. Κατά τη διάρκεια της λειτουργίας, το αλογόνο ανάβει και σβήνει σε διαφορετικά χρονικά διαστήματα (ανάλογα με τη θερμοκρασία), γεγονός που είναι σκόπιμο και αποτελεί τον σωστό τρόπο λειτουργίας της συσκευής.

Επειδή η ασφάλεια και η ικανοποίηση του χρήστη αποτελούν την πρώτη μας προτεραιότητα, η συσκευή είναι κατασκευασμένη σύμφωνα με τα υψηλότερα πρότυπα ασφάλειας και λειτουργικότητας.

### Τεχνικές παράμετροι

Όνομα προϊόντος: Έξυπνη φριτέζα αέρα  
Μοντέλο προϊόντος: ABB-G24  
Χωρητικότητα συρταριού: 3L  
Όνομαστική τάση: 220V  
Όνομαστική συχνότητα: 50Hz  
Όνομαστική ισχύς: 1200W

### Περιγραφή κύριας μονάδας

Απεικόνιση αριθ. 1

1. Θερμική ασπίδα
2. Πλάκα τηγανίσματος
3. Λαβή συρταριού
4. Γυάλινο σώμα συρταριού
5. Πίνακας αφής
6. Είσοδος αέρα
7. Έξοδος θερμού αέρα
8. Καλώδιο ρεύματος

### Περιγραφή του πίνακα ελέγχου

Απεικόνιση αριθ. 2

1. Φτερούγες - 180°C - 15 λεπτά
2. Μπούτι τυμπάνου - 180°C - 25 λεπτά
3. Σπαλομπριζόλες - 180°C - 20 λεπτά
4. Μπριζόλα - 180°C - 12 λεπτά
5. Γαρίδες - 170°C - 10 λεπτά
6. Ψάρια - 180°C - 15 λεπτά
7. Τσιτς - 180°C - 18 λεπτά
8. Κέικ - 160°C - 20 λεπτά
9. Γλυκοπατάτες - 180°C - 35 λεπτά
10. Τάρτες αυγών - 160°C - 12 λεπτά
11. Κάστανο - 180°C - 20 λεπτά
12. Απόψυξη - 80°C - 25 λεπτά
13. (-) πλήκτρο

14. Ψηφιακή οθόνη
15. Ένδειξη θερμοκρασίας
16. Ένδειξη χρόνου
17. (+) πλήκτρο
18. Πλήκτρο PRE-SET
19. Πλήκτρο TIME/TEMP
20. Πλήκτρο MENU
21. Πλήκτρο START/CANCEL

## Προετοιμασία για χρήση

1. Αφαιρέστε όλα τα υλικά συσκευασίας.
2. Καθαρίστε τη σχάρα και το γυάλινο συρτάρι με ζεστό νερό, απορρυπαντικό και ένα μη λειαντικό σφουγγάρι. Τα γυάλινα εξαρτήματα δεν μπορούν να καθαριστούν στο πλυντήριο πιάτων.
3. Σκουπίστε το εσωτερικό και το εξωτερικό του προϊόντος με ένα υγρό πανί.
4. Τοποθετήστε αυτό το προϊόν σε μια σταθερή και επίπεδη επιφάνεια. Θα πρέπει να υπάρχει αρκετός χώρος γύρω από το προϊόν, ώστε να διασφαλίζεται απόσταση τουλάχιστον 10 cm από την επιφάνεια και άλλα αντικείμενα. Δεν πρέπει να τοποθετούνται αντικείμενα στην είσοδο ή την έξοδο αέρα. Μην τοποθετείτε το προϊόν σε επιφάνεια που δεν είναι ανθεκτική στη θερμότητα.

## Εγκατάσταση και πρώτη χρήση

1. Τοποθετήστε την πλάκα τηγανίσματος στο συρτάρι και τοποθετήστε το φαγητό πάνω της. Στη συνέχεια, σύρετε το συρτάρι μέσα στο κύριο περίβλημα μέχρι να κλείσει εντελώς.
2. Συνδέστε τη συσκευή στην πρίζα και ρυθμίστε τον επιθυμητό χρόνο και τη θερμοκρασία χειροκίνητα χρησιμοποιώντας τον πίνακα ελέγχου ή επιλέξτε το επιθυμητό προκαθορισμένο πρόγραμμα.
3. Πατήστε το πλήκτρο START/STOP για να ξεκινήσει το ψήσιμο. Για περισσότερες πληροφορίες σχετικά με τη ρύθμιση του χρόνου και της θερμοκρασίας, ανατρέξτε στην υποενότητα "Χειριστήρια και λειτουργία".
4. Ανακινήστε ή γυρίστε τα τρόφιμα στο συρτάρι, όπως απαιτείται. Για να το κάνετε αυτό, σύρετε το συρτάρι προς τα έξω και γυρίστε ή ανακινήστε προσεκτικά τα τρόφιμα. Σύρετε το συρτάρι πίσω στο περίβλημα μέχρι να κλείσει εντελώς. Η συσκευή θα θυμηθεί την ώρα και τις ρυθμίσεις και θα συνεχίσει αυτόματα από τη στιγμή που διακοπήτε το μαγείρεμα.

**Σημείωση:** Μπορεί να μυρίσετε μια περίεργη μυρωδιά όταν το χρησιμοποιείτε για πρώτη φορά. Αυτό είναι φυσιολογικό και δεν αποτελεί σφάλμα του προϊόντος. Ποτέ μην ρίχνετε λάδι ή λίπος μέσα στο airfryer.

## Χρήση της θερμικής ασπίδας

Η συσκευή είναι εξοπλισμένη με μια θερμική ασπίδα που διαχωρίζει τα καυτά μέρη του γυάλινου μπολ και προστατεύει τον χρήστη από εγκαύματα. Η ασπίδα αφαιρείται εύκολα για το κατάλληλο πλύσιμο του γυάλινου συρταριού. Χρησιμοποιείτε πάντα τη θερμική ασπίδα για να αποφύγετε τον κίνδυνο τυχαίων εγκαυμάτων.

## Έλεγχοι και λειτουργία

### Προκαθορισμένα προγράμματα

Πατήστε το πλήκτρο MENU στη λειτουργία αναμονής για να επιλέξετε 12 προκαθορισμένα προγράμματα. Στην ψηφιακή οθόνη θα εμφανιστούν οι αριθμοί 01 έως 12. Αφού επιλέξετε το πρόγραμμα, πατήστε το πλήκτρο START/STOP για να ξεκινήσετε το ψήσιμο-πατήστε ξανά αυτό το πλήκτρο για παύση. Αυτή τη στιγμή, η οθόνη αναβοσβήνει τον τρέχοντα αριθμό μενού και ο ανεμιστήρας σταματά να λειτουργεί μετά από 10 δευτερόλεπτα. Χρησιμοποιήστε τα πλήκτρα +/- για να ρυθμίσετε τη θερμοκρασία/ώρα. Πατήστε το πλήκτρο MENU για 2 δευτερόλεπτα για να επιστρέψετε στον αριθμό του ρυθμιζόμενου μενού. Πατήστε και κρατήστε πατημένο το πλήκτρο START/STOP για 2 δευτερόλεπτα στην κατάσταση λειτουργίας για να επιστρέψετε στην κατάσταση αναμονής.

**Σημείωση:** Η συσκευή διαθέτει μνήμη προγράμματος. Το άνοιγμα του γυάλινου συρταριού διακόπτει τη λειτουργία θέρμανσης, αλλά όταν το συρτάρι επανατοποθετηθεί, η συσκευή συνεχίζει να λειτουργεί με τις προηγούμενες ρυθμίσεις και το επιλεγμένο πρόγραμμα.

### Χειροκίνητη λειτουργία

Όταν πατηθεί το πλήκτρο TIME/TEMP, η θερμοκρασία στην οθόνη αναβοσβήνει, υποδεικνύοντας ότι η θερμοκρασία μπορεί να ρυθμιστεί- όταν πατηθεί ξανά το πλήκτρο, η ρυθμισμένη ώρα αναβοσβήνει, υποδεικνύοντας ότι η ώρα μπορεί να ρυθμιστεί. Όταν ρυθμίζετε τη θερμοκρασία, πατήστε τα πλήκτρα +/- για να αυξήσετε ή να μειώσετε κατά 5°C και πατήστε παρατεταμένα τα πλήκτρα +/- για να αυξήσετε ή να μειώσετε γρήγορα κατά 5°C. Κατά τη ρύθμιση της ώρας, κάντε κλικ στα πλήκτρα +/- για να αυξήσετε ή να μειώσετε 1 λεπτό και πατήστε παρατεταμένα τα πλήκτρα +/- για να αυξήσετε ή να μειώσετε γρήγορα 1 λεπτό.

## Πλήκτρο PRE-SET

Πιέστε το πλήκτρο MENU για να επιλέξετε προκαθορισμένο πρόγραμμα και, στη συνέχεια, πιέστε το πλήκτρο PRE-SET για να επιλέξετε την ώρα καθυστερημένης έναρξης. Η ώρα στην οθόνη θα αναβοσβήνει, χρησιμοποιήστε τα πλήκτρα +/- για να ρυθμίσετε την ώρα μεταξύ 1h - 18h. Πατήστε το πλήκτρο START/STOP για να ξεκινήσει η αντίστροφη μέτρηση. Κατά τη διάρκεια της αντίστροφης μέτρησης, τα πλήκτρα της μονάδας θα είναι κλειδωμένα. Για να σταματήσετε την αντίστροφη μέτρηση, πατήστε παρατεταμένα το πλήκτρο START/STOP.

**Σημείωση:** Οι ρυθμίσεις θερμοκρασίας και χρόνου των παρακάτω συνταγών είναι μόνο για λόγους αναφοράς. Προσαρμόστε τις ρυθμίσεις στο πραγματικό μέγεθος του γεύματος διορθώνοντας μόνοι σας τη θερμοκρασία και το χρόνο.

## Καθαρισμός και συντήρηση

Αφήστε τη συσκευή να κρυώσει εντελώς πριν τον καθαρισμό. Χρησιμοποιήστε ένα καθαρό, υγρό πανί για να σκουπίσετε το εξωτερικό της συσκευής.

Πλύνετε το συρτάρι με ζεστό νερό, απορρυπαντικό και ένα μη λειαντικό σφουγγάρι. Η πλάκα τηγανίσματος είναι ασφαλής στο πλυντήριο πιάτων. Η πλάκα τηγανίσματος έχει αντικολλητική κεραμική επιστρώση- μην χρησιμοποιείτε μεταλλικά αντικείμενα ή λειαντικά καθαριστικά για να την καθαρίσετε. Εάν υπάρχουν υπολείμματα φαγητού ή άλλα υπολείμματα στην κοιλότητα του περιβλήματος, αφαιρέστε τα με ένα υγρό, καθαρό πανί και, στη συνέχεια, στεγνώστε την περιοχή με ένα καθαρό, στεγνό πανί.

**Σημείωση:** Χρησιμοποιήστε μεταλλικά μαχαίροπήρουνα ή λαβίδες με προσοχή, αποφεύγοντας την άμεση επαφή με την επιφάνεια του δίσκου. Μην χρησιμοποιείτε λειαντικά καθαριστικά (συρματόβουρτσες, λειαντικά σφουγγάρια, μεταλλικά εργαλεία κ.λπ.) για τον καθαρισμό.

## Αντιμετώπιση προβλημάτων

Τα παρακάτω προβλήματα δεν σημαίνουν απαραίτητα ότι η συσκευή είναι ελαττωματική. Παρακαλούμε διαβάστε την παρακάτω ενότητα για να μάθετε απλές λύσεις για τα πιο συνηθισμένα προβλήματα.

### Πρόβλημα 1

Η λυχνία στο εσωτερικό της μονάδας ανάβει και σβήνει περιοδικά.

#### Πληροφορίες:

Το θερμαντικό στοιχείο αλογόνου ελέγχεται από το κύκλωμα του θερμοστάτη και δεν λειτουργεί συνεχώς. Κατά τη λειτουργία, το αλογόνο ανάβει και σβήνει σε διαφορετικά χρονικά διαστήματα (ανάλογα με τη θερμοκρασία), πράγμα που είναι σκόπιμο και σωστό.

### Πρόβλημα 2

Το φαγητό μαγειρεύεται ανομοιόμορφα.

#### Πιθανή αιτία:

Ορισμένα τρόφιμα πρέπει να γυρίζονται ή να ανακινούνται κατά τη διάρκεια του μαγειρέματος.

#### Λύση:

Ενώ η συσκευή λειτουργεί, βγάλτε το συρτάρι και ανακινήστε το περιεχόμενο ή γυρίστε το φαγητό με ένα πιρούνι ή μια λαβίδα.

### Πρόβλημα 3

Κατά τη διάρκεια του μαγειρέματος βγαίνει λευκός καπνός από τη συσκευή.

#### Πιθανή αιτία:

Στο συρτάρι της συσκευής έχει συσσωρευτεί γράσο/λάδι.

#### Λύση:

Βεβαιωθείτε ότι δεν έχει συσσωρευτεί λίπος ή λάδι στο συρτάρι. Καθαρίζετε το συρτάρι και την πλάκα της φριτέζας κάθε φορά μετά το μαγείρεμα.

### Πρόβλημα 4

Το συρτάρι δεν ολισθαίνει στη θέση του.

#### Πιθανή αιτία:

Το συρτάρι είναι πολύ γεμάτο.

#### Λύση:

Μην γεμίζετε το συρτάρι πέρα από τη χωρητικότητά του. Τα τρόφιμα δεν πρέπει να φτάνουν πάνω από το πάνω μέρος του συρταριού.

## Όροι και προϋποθέσεις εγγύησης

1. Η εγγύηση καλύπτει μόνο τα λανθάνοντα ελαττώματα που οφείλονται στον κατασκευαστή.
2. Η διεκπεραίωση της απαιτήσης γίνεται από το σημείο πώλησης ή την τεχνική υπηρεσία στο πλαίσιο της εγγύησης, εφόσον ο Πελάτης προσκομίσει:

- a. έγκυρη και καθαρή κάρτα εγγύησης συμπληρωμένη κατάλληλα με σφραγίδα πώλησης και υπογραφή του πωλητή,
  - b. έγκυρη απόδειξη αγοράς με την ημερομηνία πώλησης,
  - c. το αναφερόμενο προϊόν ή ελαττωματικό εξάρτημα. Σε περίπτωση αγοράς εξ αποστάσεως, η κάρτα εγγύησης ισχύει μόνο με την απόδειξη αγοράς (απόδειξη/τιμολόγιο).
3. Η απαίτηση επιλύεται εντός 14 ημερών από την αναφορά του Πελάτη.
  4. Τα κατασκευαστικά ελαττώματα που εντοπίζονται κατά την περίοδο εγγύησης επισκευάζονται δωρεάν εντός 21 ημερών από την παράδοση του προϊόντος στο σημείο πώλησης ή στην τεχνική υπηρεσία.
  5. Εάν είναι απαραίτητη η εισαγωγή εξαρτημάτων για την επισκευή, η περίοδος επισκευής με εγγύηση μπορεί να παραταθεί κατά το χρόνο που απαιτείται για την εισαγωγή του εξαρτήματος, όχι περισσότερο από 40 ημέρες.
  6. Εξαίρεσεις εγγύησης:
    - a. μηχανικές βλάβες και συναφή ελαττώματα,
    - b. ζημιές και ελαττώματα που προκύπτουν από κακή χρήση και ακατάλληλη αποθήκευση, συναρμολόγηση και συντήρηση,
    - c. βλάβη και φθορά αυτών των αναλωσίμων στοιχείων,
    - d. δραστηριότητες που σχετίζονται με τη συναρμολόγηση ή τη συντήρηση και αποτελούν υποχρέωση του χρήστη σύμφωνα με το εγχειρίδιο.
  7. Η εγγύηση δεν ισχύει όταν:
    - a. έχει παρέλθει η περίοδος ισχύος του,
    - b. ο Πελάτης είχε επισκευάσει ή τροποποιήσει το προϊόν χρησιμοποιώντας μη γνήσια εξαρτήματα,
    - c. το ελάττωμα προήλθε από εσφαλμένη εγκατάσταση ή από μη τήρηση των κανόνων ορθής λειτουργίας του εγχειριδίου,
    - d. το προϊόν χρησιμοποιείται για σκοπούς άλλους από την οικιακή χρήση,
    - e. ζημιά που προκλήθηκε κατά τη μεταφορά.
  8. Δεν εκδίδονται αντίγραφα της κάρτας εγγύησης.
  9. Ο πελάτης δικαιούται δωρεάν την ακόλουθη αποζημίωση:
    - a. επισκευή προϊόντος,
    - b. αντικατάσταση προϊόντος,
    - c. μειωμένη τιμή,
    - d. καταγγελία της σύμβασης και πλήρη αποζημίωση του κόστους.
  10. Για να αναφέρετε μια απαίτηση:
    - a. Παρουσιάστε το προϊόν ή το αναφερόμενο τμήμα του.
    - b. Παρουσιάστε την απόδειξη αγοράς με το όνομα και τη διεύθυνση του πωλητή, την ημερομηνία και τον τόπο αγοράς, τον τύπο του προϊόντος ή την έγκυρη κάρτα εγγύησης με σφραγίδα του σημείου πώλησης.
    - c. Εάν το προϊόν παραδίδεται βρώμικο, η τεχνική υπηρεσία μπορεί να αρνηθεί την παραλαβή του ή να το καθαρίσει με έξοδα του Πελάτη μετά από έγγραφη έγκρισή της.
  11. Εάν η απαίτηση γίνει δεκτή, η συσκευή επισκευάζεται ή αντικαθίσταται με νέα ή επιστρέφεται στον Πελάτη. Τα έξοδα μεταφοράς από το σέρβις του κατασκευαστή καλύπτουν το σέρβις.
  12. Εάν η αξίωση απορριφθεί, ο Πελάτης λαμβάνει λεπτομερή αιτιολόγηση της απόφασης και ο εξοπλισμός του αποστέλλεται με δική του δαπάνη εντός 14 ημερών από την κοινοποίηση της απόφασης.

## Χρήση

Χειρισμός αποβλήτων από ηλεκτρικό και ηλεκτρονικό εξοπλισμό στο τέλος του κύκλου ζωής του (νομοθεσία WEEE).

Η σήμανση στη συσκευασία, στα εξαρτήματα ή στο εγχειρίδιο οδηγιών υποδεικνύει ότι ο εξοπλισμός τέλους κύκλου ζωής και τα προσαρτημένα ηλεκτρονικά εξαρτήματα δεν πρέπει να τοποθετούνται σε δοχεία αστικών απορριμμάτων μαζί με άλλα οικιακά απορρίμματα.

Ο ακατάλληλος χειρισμός των ηλεκτρονικών αποβλήτων μπορεί να έχει ως αποτέλεσμα την είσοδο μολυσματικών παραγόντων στο περιβάλλον ή κινδύνους για την υγεία λόγω ακατάλληλης απόρριψης. Διαχωρίστε τα απόβλητα αυτά από τα άλλα απόβλητα και ανακυκλώστε τα, ώστε να επαναχρησιμοποιηθούν οι πρώτες ύλες. Για την ανακύκλωση, επιτρέπουν την επαναχρησιμοποίηση των πρώτων υλών.

## Instrucciones y avisos de seguridad

Lea atentamente este manual para comprender mejor cómo utilizar el producto. Durante su uso, deberá tener en cuenta algunos consejos esenciales de seguridad, entre los que se incluyen los siguientes.

- El aparato cocina los alimentos con aire caliente, sin utilizar aceite. No vierta nunca aceite en el aparato. Hacerlo puede provocar un incendio, lesiones personales, daños al aparato y anular la garantía.
- Le recomendamos que conecte el aparato a la red eléctrica sin utilizar alargadores. El cable de alimentación corto se ha diseñado específicamente como medida de seguridad para reducir el riesgo de que los niños agarren o jueguen con el cable y para proteger al usuario de tropezar con un cable de alimentación largo.
- Este aparato está diseñado para uso exclusivo en interiores. No lo utilice nunca al aire libre.
- El aparato se calienta durante el funcionamiento. Tenga cuidado al manipular el aparato y los accesorios para evitar quemaduras o lesiones.
- Antes de utilizarlo, asegúrese de que el aparato está colocado sobre una superficie nivelada, limpia y seca.
- Coloque el aparato fuera del alcance de los niños o de cualquier persona cuyas capacidades físicas, sensoriales o mentales puedan impedirle utilizarlo con seguridad.
- Para eliminar el riesgo de asfixia de los niños pequeños, retire y deseche las películas protectoras y el embalaje de plástico de los accesorios del aparato.
- No coloque el aparato cerca de quemadores calientes de gas, cerámica, inducción o eléctricos. Hacerlo puede causar lesiones personales, dañar el aparato y anular la garantía.
- Para evitar descargas eléctricas, no sumerja nunca el cable de alimentación del aparato en agua ni en ningún otro líquido. No enjuague la carcasa del dispositivo con agua ni con ningún otro líquido. Si lo hace, podría causar lesiones personales, dañar el dispositivo y anular la garantía.
- Extreme las precauciones al manipular alimentos calientes y superficies calientes.
- No mueva el aparato mientras esté encendido y en funcionamiento. Si lo hace, podría causar lesiones personales, dañar el aparato y anular la garantía.
- La placa de freír, la rejilla de acero y las brochetas pueden estar muy calientes durante y después de la fritura. Utilice guantes de horno para evitar quemaduras.
- Inspeccione regularmente el aparato, el cable de alimentación y el enchufe. No utilice el aparato si el cable de alimentación o el enchufe están dañados. Si el aparato funciona mal o está dañado de algún modo, póngase en contacto con el Centro de Atención al Cliente de 4Swiss.
- El aparato está destinado exclusivamente al uso doméstico. No utilice nunca el aparato como equipo de restauración profesional ni para fines distintos de los previstos. Hacerlo podría dañar el aparato y anular la garantía.
- No utilice limpiadores abrasivos, estropajos de acero ni estropajos para limpiar el aparato. Consulte la sección "Limpieza y mantenimiento" para obtener más información.
- Para evitar lesiones, no tire del cable por encima del borde de la encimera.
- No cubra las entradas/salidas de aire de la parte posterior del aparato cuando esté en funcionamiento. Esto puede provocar una cocción desigual y dañar el aparato.
- No conecte el aparato a un temporizador externo o a un sistema de mando a distancia independiente.
- Deje un mínimo de 10 cm de espacio libre alrededor del aparato para que circule correctamente el aire.
- No utilice el aparato ni sus accesorios en un horno microondas, horno tostador, horno de convección, horno de gas, horno eléctrico o en una encimera o parrilla de cerámica, eléctrica, de gas o de inducción. De lo contrario, podrían producirse lesiones personales, daños en el aparato e invalidar la garantía.
- Asegúrese de que el aparato está limpio antes de utilizarlo. Mantenga el cable de alimentación alejado de superficies calientes.
- El aparato está equipado con un enchufe de 3 hilos con toma de tierra. Enchufe siempre el cable de alimentación a una toma de corriente con conexión a tierra.
- Desenchufa el aparato y deja que se enfríe antes de limpiarlo o guardarlo.
- No caliente latas de comida selladas en el aparato. Hacerlo puede causar lesiones personales, dañar el aparato y anular la garantía.
- No introduzca en el aparato alimentos en recipientes no aptos para altas temperaturas, como bolsas de plástico, recipientes de poliestireno, envases de plástico y papel. El uso de bolsas especiales y fundas de cocción está permitido, pero deben utilizarse con especial precaución. Tenga en cuenta que la manga de cocción aumenta de volumen durante la cocción y es imprescindible asegurarse de que la manga no toque el calentador halógeno y su cubierta.
- Utilice el dispositivo sólo con accesorios de la marca 4Swiss. El uso de accesorios de terceros puede dañar el dispositivo y anular la garantía.
- No coloque el aparato sobre o cerca de superficies/materiales inflamables como almohadas, manteles o cortinas. Si lo hace, podría causar lesiones personales, dañar el aparato y anular la garantía.
- El aire caliente sale por la salida de aire cuando la unidad está en uso. Para evitar lesiones, mantenga siempre las manos y la cara alejadas de las rejillas de ventilación y las salidas de aire.
- Para evitar lesiones, tenga cuidado al abrir el cajón del aparato.
- Si empieza a salir humo del aparato, desenchúfelo inmediatamente y disperse el humo antes de abrir el cajón.

- Asegúrese de que los alimentos no sobresalgan por los lados del cajón del aparato. Llenar el cajón más allá de su capacidad puede provocar lesiones personales, dañar el aparato y anular la garantía.
- No llene nunca el aparato con aceite. Hacerlo puede causar lesiones personales, dañar el aparato y anular la garantía.

### **Funciones del producto**

La freidora de aire 4Swiss ABB-G24 hace circular aire ultracaliente alrededor de los alimentos, eliminando la necesidad de utilizar el aceite que se usaría normalmente. La entrada intensiva de aire caliente garantiza comidas más sanas, al tiempo que proporciona un gran sabor a los alimentos, que quedan deliciosamente crujientes por fuera y perfectamente cocinados por dentro. Crujientes patatas fritas, verduras, pollo, pescado, filetes y mucho más estarán al alcance de la mano, además el aparato es fácil de mantener, rápido de limpiar y libre de la típica suciedad grasienta.

El aparato está equipado con un elemento calefactor halógeno único y altamente eficaz que calienta e ilumina los alimentos dentro del cajón de cocción durante el funcionamiento. El halógeno está controlado por el circuito del termostato y no funciona continuamente. Por lo tanto, el efecto de iluminación visual sólo puede observarse durante el ciclo de calentamiento halógeno. Durante el funcionamiento, el halógeno se enciende y apaga a intervalos variables (en función de la temperatura), lo cual es intencionado y constituye el modo correcto de funcionamiento del aparato.

Porque la seguridad y la satisfacción del usuario son nuestra máxima prioridad, el dispositivo está fabricado con los más altos estándares de seguridad y funcionalidad.

### **Parámetros técnicos**

Nombre del producto: Smart airfryer  
 Modelo del producto: ABB-G24  
 Capacidad del cajón: 3L  
 Tensión nominal: 220 V  
 Frecuencia nominal: 50 Hz  
 Potencia nominal: 1200 W

### **Descripción de la unidad principal**

Ilustración nº 1

1. Escudo térmico
2. Placa de fritura
3. Tirador del cajón
4. Cuerpo de cristal del cajón
5. Panel táctil
6. Entrada de aire
7. Salida de aire caliente
8. Cable de alimentación

### **Descripción del panel de control**

Ilustración nº 2

1. Alas - 180°C - 15 min
2. Baqueta - 180°C - 25 min
3. Costillas - 180°C - 20 min
4. Filete - 180°C - 12 min
5. Gambas - 170°C - 10 min
6. Pescado - 180°C - 15 min
7. Patatas fritas - 180°C - 18 min
8. Pastel - 160°C - 20 min
9. Boniatos - 180°C - 35 min
10. Tartas de huevo - 160°C - 12 min
11. Castaña - 180°C - 20 min
12. Descongelar - 80°C - 25 min
13. (-)
14. Pantalla digital
15. Indicador de temperatura
16. Indicador de tiempo
17. Tecla (+)

18. Tecla PRE-SET
19. Tecla HORA/TEMP
20. Tecla MENÚ
21. Tecla START/CANCEL

## Preparación para su uso

1. Retire todos los materiales de embalaje.
2. Limpie la parrilla y el cajón de cristal con agua caliente, detergente y una esponja no abrasiva. Los componentes de cristal no se pueden limpiar en el lavavajillas.
3. Limpie el interior y el exterior del producto con un paño húmedo.
4. Coloque este producto sobre una superficie estable y plana. Debe reservarse espacio suficiente alrededor del producto para garantizar que haya una distancia de al menos 10 cm entre la superficie y otros objetos. No deben colocarse objetos en la entrada o salida de aire. No coloque el producto sobre una superficie que no sea resistente al calor.

## Instalación y primer uso

1. Coloque la placa de fritura en el cajón y ponga los alimentos sobre ella. A continuación, deslice el cajón en la carcasa principal hasta que quede completamente cerrado.
2. Enchufe el aparato y ajuste manualmente la hora y la temperatura deseadas mediante el panel de control o seleccione el programa predefinido que desee.
3. Pulse la tecla START/STOP para iniciar la cocción. Para más información sobre el ajuste del tiempo y la temperatura, consulte la subsección "Controles y funcionamiento".
4. Agite o gire los alimentos del cajón según sea necesario. Para ello, deslice el cajón hacia fuera y gire o agite con cuidado los alimentos. Vuelva a introducir el cajón en la carcasa hasta que quede completamente cerrado. El aparato recordará la hora y los ajustes y continuará automáticamente desde el momento en que se interrumpió la cocción.

**Nota:** Es posible que perciba un olor peculiar al utilizarlo por primera vez. Esto es normal y no es un defecto del producto. No vierta nunca aceite ni grasa en la secadora de aire.

## Uso del escudo térmico

El aparato está equipado con un escudo térmico que separa las partes calientes del cajón de cristal y protege al usuario de quemaduras. El escudo es fácil de quitar para lavar correctamente el cajón de cristal. Utilice siempre el escudo térmico para evitar el riesgo de quemaduras accidentales.

## Controles y funcionamiento

### Programas predefinidos

Pulse la tecla MENU en modo de espera para seleccionar 12 programas predefinidos. La pantalla digital mostrará los números 01 a 12. Después de elegir el programa, pulse la tecla START/STOP para iniciar la cocción; pulse de nuevo esta tecla para pausarla. En este momento, en la pantalla parpadeará el número del menú actual y el ventilador dejará de funcionar transcurridos 10 segundos. Utilice las teclas +/- para ajustar la temperatura/tiempo. Pulse la tecla MENU durante 2 segundos para volver al número de menú ajustable. Mantenga pulsada la tecla START/STOP durante 2 segundos en estado de funcionamiento para volver al estado de espera.

**Nota:** El aparato dispone de una memoria de programa. Al abrir el cajón de cristal se detiene la función de calentamiento, pero cuando se vuelve a introducir el cajón, el aparato sigue funcionando con los ajustes anteriores y el programa seleccionado.

### Funcionamiento manual

Cuando se pulsa la tecla TIME/TEMP, la temperatura en la pantalla parpadea, indicando que se puede ajustar la temperatura; cuando se vuelve a pulsar la tecla, la hora ajustada parpadea, indicando que se puede ajustar la hora. Al ajustar la temperatura, pulse las teclas +/- para aumentar o disminuir 5°C, y mantenga pulsadas las teclas +/- para aumentar o disminuir rápidamente 5°C. Para ajustar la hora, pulse las teclas +/- para aumentar o disminuir 1 minuto y mantenga pulsadas las teclas +/- para aumentar o disminuir rápidamente 1 minuto.

### Tecla PRE-SET

Pulse la tecla MENÚ para seleccionar el programa predefinido, después pulse la tecla PREAJUSTAR para seleccionar la hora de inicio diferido. La hora en la pantalla parpadeará, utilice las teclas +/- para ajustar la hora entre 1h - 18h. Pulse la tecla START/STOP para iniciar la cuenta atrás. Durante la cuenta atrás, los botones de la unidad estarán bloqueados. Para detener la cuenta atrás, mantenga pulsada la tecla START/STOP.

**Nota:** Los ajustes de temperatura y tiempo de las siguientes recetas son sólo de referencia. Ajuste los ajustes al tamaño real de la comida corrigiendo usted mismo la temperatura y el tiempo.



## Limpieza y mantenimiento

Deje que el aparato se enfríe completamente antes de limpiarlo. Utilice un paño limpio y húmedo para limpiar el exterior del aparato.

Lave el cajón con agua caliente, detergente y una esponja no abrasiva. La placa de freír se puede lavar en el lavavajillas. La placa de freír tiene un revestimiento cerámico antiadherente; no utilice objetos metálicos ni limpiadores abrasivos para limpiarla. Si hay restos de comida u otros residuos en la cavidad de la carcasa, retírelos con un paño húmedo y limpio y, a continuación, seque la zona con un paño limpio y seco.

**Nota:** Utilice con precaución cubiertos metálicos o pinzas, evitando el contacto directo con la superficie de la bandeja. No utilice limpiadores abrasivos (cepillo de alambre, esponjas abrasivas, herramientas metálicas, etc.) para la limpieza.

## Solución de problemas

Los siguientes problemas no significan necesariamente que el aparato esté averiado. Lea la siguiente sección para conocer soluciones sencillas a los problemas más comunes.

### Problema 1

La luz del interior de la unidad se enciende y apaga periódicamente.

#### Información:

La resistencia halógena está controlada por el circuito del termostato y no funciona de forma continua. Durante el funcionamiento, el halógeno se enciende y se apaga a intervalos variables (en función de la temperatura), lo cual es intencionado y correcto.

### Problema 2

La comida se cocina de forma desigual.

#### Posible causa:

Algunos alimentos necesitan ser girados o agitados durante la cocción.

#### Solución:

Mientras el aparato está en marcha, saque el cajón y agite el contenido o dé la vuelta a los alimentos con un tenedor o unas pinzas.

### Problema 3

Sale humo blanco del aparato durante el proceso de cocción.

#### Posible causa:

Se ha acumulado grasa/aceite en el cajón del aparato.

#### Solución:

Asegúrese de que no se haya acumulado grasa o aceite en el cajón. Limpie el cajón y la placa de la freidora cada vez después de cocinar.

### Problema 4

El cajón no se desliza.

#### Posible causa:

El cajón está demasiado lleno.

#### Solución:

No llene el cajón más allá de su capacidad. Los alimentos no deben sobrepasar la parte superior del cajón.

## Condiciones de garantía

1. La garantía sólo cubre los defectos ocultos imputables al fabricante.
2. La reclamación será tramitada por el punto de venta o el servicio técnico en garantía si el Cliente la presenta:
  - a. una tarjeta de garantía válida y clara, debidamente cumplimentada con un sello de venta y la firma del vendedor,
  - b. una prueba de compra válida con la fecha de venta,
  - c. el producto o la pieza defectuosa denunciados. En caso de compra a distancia, la tarjeta de garantía es válida únicamente con la prueba de compra (recibo/factura).
3. La reclamación se resuelve en un plazo de 14 días a partir del informe del cliente.
4. Los defectos de fabricación detectados en el periodo de garantía se repararán gratuitamente en los 21 días siguientes a la entrega del producto en el punto de venta o servicio técnico.
5. Si es necesario importar piezas para la reparación, el periodo de reparación en garantía puede ampliarse por el tiempo necesario para importar la pieza, sin superar los 40 días.
6. Exclusiones de garantía:
  - a. daños mecánicos y defectos relacionados,
  - b. daños y defectos derivados de un uso indebido y un almacenamiento, montaje y mantenimiento inadecuados,
  - c. daños y desgaste de dichos elementos consumibles,

- d. actividades relacionadas con el montaje o el mantenimiento que son obligación del usuario de acuerdo con el manual.
7. La garantía no se aplicará cuando:
- a. está fuera de plazo,
  - b. el Cliente hubiera reparado o modificado el producto utilizando piezas no originales,
  - c. el defecto se deba a una instalación incorrecta o a que no se hayan seguido las normas de funcionamiento correctas del manual,
  - d. el producto se utiliza para fines distintos del uso doméstico,
  - e. daños ocurridos durante el transporte.
8. No se expiden duplicados de la tarjeta de garantía.
9. El cliente tiene derecho a la siguiente indemnización gratuita:
- a. reparación del producto,
  - b. sustitución del producto,
  - c. precio reducido,
  - d. rescisión de un contrato y compensación íntegra de los costes.
10. Para notificar un siniestro:
- a. Presentar el producto o la parte de la que se informa.
  - b. Presente el justificante de compra con el nombre y la dirección del vendedor, la fecha y el lugar de compra, el tipo de producto o una tarjeta de garantía válida con el sello del punto de venta.
  - c. En caso de que el producto se entregue sucio, el servicio técnico podrá negarse a aceptarlo o limpiarlo a costa del Cliente previa autorización por escrito de éste.
11. Si se acepta la reclamación, se repara el aparato o se sustituye por uno nuevo, o bien se reembolsa al Cliente. Los gastos de transporte del servicio del fabricante cubren el servicio.
12. Si se rechaza la reclamación, se proporcionará al cliente una justificación detallada de la decisión y se le enviará el material a su cargo en un plazo de 14 días a partir de la notificación de la decisión.

### Utilización

Tratamiento de residuos de aparatos eléctricos y electrónicos al final de su vida útil (legislación RAEE).

El marcado en el embalaje, los accesorios o el manual de instrucciones indica que los aparatos al final de su vida útil y los accesorios electrónicos adjuntos no deben depositarse en los contenedores de residuos urbanos junto con otros residuos domésticos.

La manipulación incorrecta de los residuos electrónicos puede provocar la entrada de contaminantes en el medio ambiente o riesgos para la salud debido a una eliminación inadecuada. Separe estos residuos de los demás y recíclelos para poder reutilizar las materias primas. Para reciclarlos, se permite la reutilización de las materias primas.

## Ohutusjuhised ja teatis

Palun lugege seda kasutusjuhendit hoolikalt, et paremini mõista, kuidas toodet kasutada. Kasutamise ajal tuleb järgida mõningaid olulisi ohutusnõuandeid, sealhulgas järgmisi.

- Seade küpsetab toitu kuumas õhus, ilma õli kasutamata. Ärge kunagi valage seadmesse õli. See võib põhjustada tulekahju, kehavigastusi, kahjustada seadet ja tühistada garantii.
- Soovitame ühendada seade vooluvõrku ilma pikendusjuhtmeid kasutamata. Lühike toitejuhe on spetsiaalselt kavandatud turvameetmena, et vähendada ohtu, et lapsed haaravad juhtmest kinni või mängivad sellega, ning kaitsa kasutajat pika toitejuhtme üle komistamise eest.
- See seade on mõeldud ainult siseruumides kasutamiseks. Ärge kunagi kasutage seadet välitingimustes.
- Seade soojeneb töö ajal. Olge seadme ja tarvikute käsitsemisel ettevaatlik, et vältida põletusi või vigastusi.
- Enne kasutamist veenduge, et seade on asetatud tasasele, puhtale ja kuivale pinnale.
- Asetage seade lastele või isikutele, kelle füüsilised, sensoorsed või vaimsed võimed võivad takistada seadme ohutut kasutamist, kättesaamatusse kohta.
- Väikelaste lämbumisohu vältimiseks eemaldage ja visake seadme kaitsekiled ja tarvikute plastpakendid ära.
- Ärge asetage seadet kuumas gaasi-, keraamilise, induktsoon- või elektripõleti lähedusse. See võib põhjustada kehavigastusi, kahjustada seadet ja tühistada garantii.
- Elektrilöögi vältimiseks ärge kunagi kastke seadme toitejuhet vette või muusse vedelikku. Ärge loputage seadme korpust vee või muu vedelikuga. See võib põhjustada kehavigastusi, kahjustada seadet ja tühistada garantii.
- Olge kuumas toidu ja kuumades pindades käsitsemisel äärmiselt ettevaatlik.
- Ärge liigutage seadet, kui see on sisse lülitatud ja töötab. See võib põhjustada kehavigastusi, kahjustada seadet ja tühistada garantii.
- Praeplaat, terasrest ja varred võivad praadimise ajal ja pärast praadimist olla väga kuumad. Kasutage ahjukindaid, et vältida põletusi.
- Kontrollige seadet, selle toitejuhet ja pistikut regulaarselt. Ärge kasutage seadet, kui toitejuhe või pistik on kahjustatud. Kui seade ei tööta või on mingil viisil kahjustatud, võtke ühendust 4Swiss klienditeeninduskeskusega.
- Seade on mõeldud ainult koduseks kasutamiseks. Ärge kunagi kasutage seadet professionaalse tootlusseadmena ega mingil muul otstarbel kui selle sihtotstarbel. See võib kahjustada seadet ja tühistada garantii.
- Ärge kasutage seadme puhastamiseks abrasiivseid puhastusvahendeid, terasvilla ega küürimisvahendeid. Lisateavet leiata jaotisest "Puhastamine ja hooldus".
- Vigastuste vältimiseks ärge tõmmake nõõri üle tööpinna serva.
- Ärge katke seadme tagaküljel olevaid õhu sisselaske- ja väljalaskeava, kui seade on töös. See võib põhjustada ebaühtlast küpsetamist ja seadme kahjustamist.
- Ärge ühendage seadet välise taimeri või eraldi kaugjuhtimissüsteemiga.
- Jätke seadme ümber vähemalt 10 cm vaba ruumi nõuetekohaseks õhuringluseks.
- Ärge kasutage seadet või selle tarvikuid mikrolaineahjus, rösteris, konvektsioonahjus, gaasi- või elektriahjus ega keraamilisel, elektril-, gaasi- või induktsoonpliidil või -grillil peal. See võib põhjustada kehavigastusi, kahjustada seadet ja tühistada garantii.
- Veenduge, et seade on enne kasutamist puhas. Hoidke toitejuhe kuumadest pindadest eemal.
- Seade on varustatud 3-juhtmeline maandatud pistikuga. Ühendage toitejuhe alati maandatud pistikupessa.
- Enne puhastamist või hoiustamist tõmmake seade vooluvõrgust välja ja laske tal jahtuda.
- Ärge kuumutage seadmes suletud toidupakendeid. See võib põhjustada kehavigastusi, kahjustada seadet ja tühistada garantii.
- Ärge pange seadmesse toitu, mis ei sobi kõrge temperatuuri jaoks, näiteks kilekotid, polüstüreenist mahutid, plast- ja paberpakendid. Spetsiaalsed kottide ja küpsetushülsside kasutamine on lubatud, kuid neid tuleb kasutada eriti ettevaatlikult. Pidage meeles, et küpsetushülss suureneb küpsetamise ajal ja tuleb kindlasti jälgida, et hülss ei puutuks halogeensoojendi ja selle kattega kokku.
- Kasutage seadet ainult koos 4Swiss kaubamärgi tarvikutega. Kolmandate tootjate tarvikute kasutamine võib kahjustada seadet ja tühistada garantii.
- Ärge asetage seadet kergestisüttivatele pindadele/materjalidele, nagu padjad, laudlinad või kardinaad, või nende lähedusse. See võib põhjustada kehavigastusi, kahjustada seadet ja tühistada garantii.
- Kuum õhk väljub seadme kasutamise ajal õhu väljalaskeava kaudu. Vigastuste vältimiseks hoidke käed ja nägu alati väljalaskeavadest ja õhu väljalaskeavadest eemal.
- Vigastuste vältimiseks olge seadme sahtli avamisel ettevaatlik.
- Kui seadmest hakkab tulema suitsu, tõmmake seade kohe välja ja hajutage suitsu enne sahtli avamist.
- Veenduge, et toit ei ulatuks üle seadme sahtli külgedele. Sahtli täitmine üle selle mahutavuse võib põhjustada kehavigastusi, kahjustada seadet ja tühistada garantii.
- Ärge kunagi täitke seadet õliga. See võib põhjustada kehavigastusi, kahjustada seadet ja tühistada garantii.

## Toote funktsioonid

4Swiss ABB-G24 õhufrititüür tsirkuleerib toidu ümber ülikuuma õhku, mis välistab tavapäraselt kasutatava õli kasutamise. Intensiivne kuuma õhu sissevool tagab tervislikumad toidud, pakkudes samal ajal suurepärase maitsega toitu, mis muutub väljastpoolt imemaitvalt krõbedaks ja seestpoolt täiuslikult küpseks. Krõbedad friikartulid, köögiviljad, kana, kala, praad ja muu on vaid käeulatuses, lisaks on seade kergesti hooldatav, kiiresti puhastatav ja vaba tüüplisest rasvasest segust.

Seade on varustatud ainulaadse, väga tõhusa halogeensoojenduselemendiga, mis nii soojendab kui ka valgustab toiduaineid toiduvalmistamise sahtli töö ajal. Halogeeni juhib termostaatahela ja see ei tööta pidevalt. Seega saab visuaalset valgustusefekti täheldada ainult halogeeni kuumutamistsükli ajal. Töötamise ajal lülitub halogeen sisse ja välja erineva intervalliga (temperatuurist sõltuvalt), mis on tahtlik ja on seadme õige töörežiim.

Kuna ohutus ja kasutajate rahulolu on meie peamine prioriteet, on seade ehitatud vastavalt kõrgeimatele ohutus- ja funktsionaalsusstandarditele.

## Tehnilised parameetrid

Toote nimetus: Nutikas õhuföön

Toote mudel: ABB-G24

Sahtli mahutavus: 3L

Nimipinge: 220V

Nimissagedus: 50Hz

Nimivõimsus: 1200W

## Peamise seadme kirjeldus

Illustratsioon nr 1

1. Soojuskilp
2. Praeplaat
3. Sahtli käepide
4. Klaasist sahtli korpus
5. Puutepaneel
6. Õhu sisselaskeava
7. Kuuma õhu väljalaskeava
8. Toitejuhe

## Juhtpaneeli kirjeldus

Illustratsioon nr 2

1. Tiivad - 180°C - 15 min
2. Trummipulk - 180°C - 25 min
3. Ribid - 180°C - 20 min
4. Steik - 180°C - 12 min
5. Krevetid - 170°C - 10 min
6. Kala - 180°C - 15 min
7. Laastud - 180°C - 18 min
8. Kook - 160°C - 20 min
9. Jamss - 180°C - 35 min
10. Munatortud - 160°C - 12 min
11. Kastanjapuu - 180°C - 20 min
12. Sulatamine - 80°C - 25 min
13. (-) klahv
14. Digitaalne ekraan
15. Temperatuuri indikaator
16. Aja indikaator
17. (+) klahv
18. PRE-SET klahv
19. TIME/TEMP klahv
20. MENU klahv
21. START/CANCEL klahv

## Ettevalmistus kasutamiseks

1. Eemaldage kõik pakkematerjalid.
2. Puhastage grill ja klaasist sahtlit kuuma vee, pesuvahendi ja mitteabrsiivse käsna. Klaasist komponente ei saa puhastada nõudepesumasinas.
3. Pühkige toote sise- ja välisküljed niiske lapiga.
4. Asetage toode stabiilsele ja tasasele pinnale. Toote ümber peab olema piisavalt ruumi, et tagada vähemalt 10 cm kaugus pinnast ja teistest esemetest. Öhu sisse- või väljalaskevasse ei tohi asetada mingeid esemeid. Ärge asetage toodet pinnale, mis ei ole kuumakindel.

## Seadistamine ja esmakordne kasutamine

1. Asetage praeplaat sahtlisse ja asetage toit sellele. Seejärel lükake sahtlit põhikorpusesse, kuni see on täielikult suletud.
2. Ühendage seade ja seadke soovitud aeg ja temperatuur käsitsi juhtpaneeli abil või valige soovitud ettemääratud programm.
3. Vajutage küpsetamise alustamiseks klahvi START/STOP. Lisateavet aja ja temperatuuri seadistamise kohta leiate alajaotusest "Juhtseadmed ja töö".
4. Raputage või pöörake sahtlisse olevaid toiduaineid vastavalt vajadusele. Selleks lükake sahtlit välja ja pöörake või raputage toitu ettevaatlikult. Lükake sahtli tagasi korpusesse, kuni see on täielikult suletud. Seade jätab aja ja seadistused meelde ning jätkab automaatselt toiduvalmistamise katkestamise hetkest.

**Märkus:** Esmakordsel kasutamisel võib tunda kummalist lõhna. See on normaalne ja ei ole toote viga. Ärge kunagi valage õhufritiõrisesse õli või rasva.

## Soojuskilbi kasutamine

Seade on varustatud termokaitsekilbiga, mis eraldab klaasist kausi kuumad osad ja kaitseb kasutajat põletuste eest. Kilpi on lihtne eemaldada, et klaasist sahtlit korralikult pesta. Kasutage alati termokilpi, et vältida juhusliku põletuse ohtu.

## Juhtimisseadmed ja toimimine

### Etteantud programmid

Vajutage ooterežiimis klahvi MENU, et valida 12 eelseadistatud programmi. Digitaalsel ekraanil kuvatakse numbrid 01 kuni 12. Pärast programmi valimist vajutage küpsetamise alustamiseks klahvi START/STOP; küpsetamise peatamiseks vajutage seda nappu uuesti. Sel ajal vilgub ekraanil jooksva menüü number ja ventilaator peatub 10 sekundi pärast. Kasutage +/- klahve temperatuuri/aja seadistamiseks. Vajutage 2 sekundit klahvi MENU, et naasta seadistatava menüü numbrile. Vajutage ja hoidke 2 sekundit all nappu START/STOP tööseisundis, et naasta ooteseisundisse.

**Märkus:** Seadmel on programmimälu. Klaassahtli avamine peatab kuumutamise funktsiooni, kuid kui sahtli uuesti sisestada, jätkab seade eelmiste seadete ja valitud programmi kasutamist.

### Käsitsi töötamine

Kui klahvi TIME/TEMP vajutatakse, vilgub ekraanil olev temperatuur, mis näitab, et temperatuuri saab seadistada; kui klahvi uuesti vajutatakse, vilgub seadistatud aeg, mis näitab, et aega saab seadistada. Temperatuuri seadistamisel klõpsake +/- klahve, et suurendada või vähendada 5 °C, ja vajutage pikalt +/- klahve, et kiiresti suurendada või vähendada 5 °C. Aja seadistamisel klõpsake +/- klahvidega 1 minuti suurendamiseks või vähendamiseks ja vajutage pikalt +/- klahve, et kiiresti suurendada või vähendada 1 minutit.

### PRE-SET klahv

Vajutage klahvi MENU, et valida eelseadistatud programm, seejärel vajutage klahvi PRE-SET, et valida hilinenud algusaeg. Ekraanil vilgub kellaaeg, kasutage klahve +/-, et määrata aeg vahemikus 1h - 18h. Vajutage START/STOP klahvi, et alustada tagasiarvestust. Tagasiarvamise ajal on seadme nupud lukustatud. Tagasiarvamise peatamiseks vajutage pikalt klahvi START/STOP.

**Märkus:** Järgnevate retseptide temperatuuri- ja aja seaded on ainult soovituslikud. Kohandage seaded vastavalt tegelikule toidukogusele, korrigeerides temperatuuri ja aega ise.

## Puhastamine ja hooldus

Laske seadmel enne puhastamist täielikult jahtuda. Kasutage seadme välispinna pühkimiseks puhast, niisket lappi.

Peske sahtlit kuuma vee, pesuvahendi ja mitteabrsiivse käsna. Praeplaat on nõudepesumasinas pestav. Praeplaadil on mittekleepuv keraamiline kate; ärge kasutage selle puhastamiseks metallist esemeid ega abrsiivseid puhastusvahendeid. Kui korpuse õõnsuses on toidujääke või muud prahti, eemaldage need niiske, puhta lapiga ja kuivatage seejärel ala puhta, kuiva lapiga.

**Märkus:** Kasutage ettevaatlikult metallist söögiriistu või tangid, vältides otsest kokkupuudet salve pinnaga. Ärge kasutage puhastamiseks abrasiivseid puhastusvahendeid (traathari, abrasiivsed käsna, metallist tööriistad jne).

## Veatsing

Järgmised probleemid ei tähenda tingimata, et seade on vigane. Palun lugege järgmist jaotist, et õppida lihtsaid lahendusi kõige tavalisematele probleemidele.

### Probleem 1

Seadme sees olev valgus lülitub perioodiliselt sisse ja välja.

#### Teave:

Halogeenkütteelemendi reguleerib termostaatahela ja see ei tööta pidevalt. Töötamise ajal lülitub halogeen sisse ja välja erinevate ajavahemike järel (sõltuvalt temperatuurist), mis on tahtlik ja õige.

### Probleem 2

Toit on ebaühtlaselt küpsetatud.

#### Võimalik põhjus:

Mõnda toitu tuleb keetmise ajal pöörata või raputada.

#### Lahendus:

Kui seade töötab, tõmmake sahtli välja ja raputage selle sisu või pöörake toitu kahvli või tangidega.

### Probleem 3

Küpsetamise ajal tuleb seadmest välja valge suits.

#### Võimalik põhjus:

Seadme sahtlisse on kogunenud rasva/õli.

#### Lahendus:

Veenduge, et sahtlisse ei ole kogunenud rasva või õli. Puhastage sahtlit ja praepiaati iga kord pärast toiduvalmistamist.

### Probleem 4

Sahtli ei libise paigale.

#### Võimalik põhjus:

Sahtli on liiga täis.

#### Lahendus:

Ärge täitke sahtlit üle selle mahutavuse. Toiduained ei tohi ulatuda sahtli ülemisest servast kõrgemale.

## Garantiitingimused

1. Garantii hõlmab ainult tootjale omistatavaid varjatud defekte.
2. Nõue menetletakse müügipunktis või tehnilises teenistuses garantii alusel, kui klient esitab:
  - a. kehtiv ja selge garantiikaart, mis on nõuetekohaselt täidetud ning varustatud müügitempli ja müüja allkirjaga,
  - b. kehtiv ostutõend koos müügikuupäevaga,
  - c. teatatud toode või defektna osa. Kaugostu korral kehtib garantiikaart ainult koos ostutõendiga (kviitung/arve).
3. Nõue lahendatakse 14 päeva jooksul alates kliendi poolt esitatud aruandest.
4. Garantii perioodi jooksul tuvastatud tootmisvead parandatakse tasuta 21 päeva jooksul pärast toote tarnimist müügikohale või tehnilisele teenistusele.
5. Kui remondiks on vaja importida varuosasid, võib garantiiremondiperioodi pikendada varuosade importimiseks vajaliku aja võrra, kuid mitte rohkem kui 40 päeva võrra.
6. Garantii välistused:
  - a. mehaanilised kahjustused ja nendega seotud defektid,
  - b. väärkasutusest ja ebaõigest ladustamisest, kokkupanekust ja hooldusest tingitud kahjustused ja defektid,
  - c. selliste tarbitavate elementide kahjustused ja kulumine,
  - d. kokkupaneku või hooldusega seotud tegevused, mis on kasutaja kohustus vastavalt kasutusjuhendile.
7. Garantii ei kehti, kui:
  - a. selle kehtivusaeg on möödunud,
  - b. klient on toodet parandanud või muutnud, kasutades selleks mittealgupäraseid varuosi,
  - c. viga tulenes ebaõigest paigaldamisest või kasutusjuhendis toodud õige käitumise reeglite eiramisest,
  - d. toodet kasutatakse muuks otstarbeks kui majapidamises,
  - e. transpordi käigus tekkinud kahjustused.
8. Garantii kaardi duplikaate ei väljastata.
9. Kliendil on õigus saada tasuta järgmist hüvitist:
  - a. toote parandamine,
  - b. toote asendamine,
  - c. vähendatud hind,

- d. lepingu lõpetamine ja kulude täielik hüvitamine.
10. Nõude teatamine:
  - a. Esitage toode või selle teatatud osa.
  - b. Esitage ostutõend, millel on müüja nimi ja aadress, ostukuupäev ja -koht, toote tüüp või kehtiv garantiikaart koos müügikoha templiga.
  - c. Kui toode on tarnitud määratud, võib tehniline teenistus keelduda selle vastuvõtmisest või puhastada selle kliendi kulul pärast tema kirjalikku nõusolekut.
11. Kui nõue rahuldatakse, parandatakse seade või asendatakse see uue seadmega või hüvitatakse kliendile raha. Transpordikulud tootja teenindusest katab teenindus.
12. Kui nõue lükatakse tagasi, esitatakse kliendile otsuse üksikasjalik põhjendus ja seade saadetakse talle tema kulul 14 päeva jooksul pärast otsuse esitamist.

### **Kasutamine**

Elektri- ja elektroonikaseadmete kasutuselt kõrvaldatud jäätmete käitlemine (elektroonikaromusid käsitlevad õigusaktid).

Pakendil, tarvikutel või kasutusjuhendil olev märgistus näitab, et kasutuselt kõrvaldatud seadmeid ja lisatud elektroonilisi tarvikuid ei tohi panna olmejäätmete konteineritesse koos muude olmejäätmetega.

Elektroonikajäätmete ebaõige käitlemine võib põhjustada saasteainete sattumist keskkonda või ohtu tervisele ebaõige kõrvaldamise tõttu. Eraldage need jäätmed teistest jäätmetest ja suunake need ringlusse, et tooraineid saaks uuesti kasutada. Ringlussevõtuks lubavad nad tooraine korduvkasutamist.

## Turvallisuusohjeet ja -ilmoitus

Lue tämä käyttöohje huolellisesti, jotta ymmärrät paremmin, miten tuotetta käytetään. Joitakin olennaisia turvallisuusohjeita, kuten seuraavia, on noudatettava käytön aikana.

- Laite kypsentää ruokaa kuumalla ilmalla ilman öljyä. Älä koskaan kaada laitteeseen öljyä. Se voi aiheuttaa tulipalon, henkilövahinkoja, vaurioittaa laitetta ja mitätöidä takuun.
- Suosittelemme, että kytket laitteen verkkovirtaan ilman jatkojohtoja. Lyhyt virtajohto on suunniteltu erityisesti turvallisuusominaisuutensa vähentämiseksi lasten riskiä tarttua johtoon tai leikkiä sillä ja suojaamaan käyttäjää kompastumasta pitkään virtajohtoon.
- Tämä laite on tarkoitettu vain sisäkäyttöön. Älä koskaan käytä laitetta ulkona.
- Laite lämpenee käytön aikana. Noudata varovaisuutta käsitellessäsi laitetta ja lisävarusteita palovammojen tai vammojen välttämiseksi.
- Varmista ennen käyttöä, että laite on asetettu tasaiselle, puhtaalle ja kuivalle alustalle.
- Aseta laite lasten tai sellaisten henkilöiden ulottumattomiin, joiden fyysiset, aistien tai henkiset kyvyt saattavat estää heitä käyttämästä laitetta turvallisesti.
- Poista ja hävitä laitteesta lisävarusteiden suojakalvot ja muovipakkaukset pienten lasten tukehtumisvaaran välttämiseksi.
- Älä sijoita laitetta kuumien kaasuihin, keraaminen, induktio- tai sähköpolttimien läheisyyteen. Se voi aiheuttaa henkilövahinkoja, vahingoittaa laitetta ja mitätöidä takuun.
- Älä koskaan upota laitteen virtajohtoa veteen tai muuhun nesteeseen sähköiskun välttämiseksi. Älä huuhtele laitteen kotelo vedellä tai muulla nesteellä. Se voi aiheuttaa henkilövahinkoja, vahingoittaa laitetta ja mitätöidä takuun.
- Noudata äärimmäistä varovaisuutta käsitellessäsi kuumaa ruokaa ja kuumia pintoja.
- Älä siirrä laitetta, kun se on päällä ja toiminnassa. Se voi aiheuttaa henkilövahinkoja, vahingoittaa laitetta ja mitätöidä takuun.
- Paistolevy, teräshylly ja vartaat voivat olla hyvin kuumia paistamisen aikana ja sen jälkeen. Käytä uunikäsineitä palovammojen välttämiseksi.
- Tarkasta laite, sen virtajohto ja pistoke säännöllisesti. Älä käytä laitetta, jos virtajohto tai pistoke on vaurioitunut. Jos laitteessa on toimintahäiriöitä tai se on vahingoittunut jollakin tavalla, ota yhteys 4Swiss asiakaspalvelukeskukseen.
- Laite on tarkoitettu vain kotikäyttöön. Älä koskaan käytä laitetta ammattimaisena catering-laitteena tai muuhun kuin sen käyttötarkoitukseen. Se voi vahingoittaa laitetta ja mitätöidä takuun.
- Älä käytä laitteen puhdistamiseen hankaavia puhdistusaineita, teräsvillaa tai hankaimia. Katso lisätietoja kohdasta "Puhdistus ja huolto".
- Älä vedä johtoa työtason reunan yli, jotta vältät loukkaantumisen.
- Älä peitä laitteen takana olevia ilmanottoaukkoja/-aukkoja, kun laite on toiminnassa. Tämä voi aiheuttaa epätasaisesti kypsennystä ja vaurioittaa laitetta.
- Älä liitä laitetta ulkoiseen ajastimeen tai erilliseen kauko-ohjauksjärjestelmään.
- Jätä vähintään 10 cm vapaata tilaa laitteen ympärille, jotta ilma pääsee kiertämään kunnolla.
- Älä käytä laitetta tai sen lisävarusteita mikroaltauunissa, leivänpaahittimessa, kiertoilmauunissa, kaasuihin tai sähköuunissa tai keraamisella, sähköllä, kaasulla tai induktiolla toimivalla keittotasolla tai grillissä. Se voi aiheuttaa henkilövahinkoja, vahingoittaa laitetta ja mitätöidä takuun.
- Varmista, että laite on puhdas ennen käyttöä. Pidä virtajohto poissa kuumilta pinnoilta.
- Laitteessa on 3-johtiminen maadoitettu pistoke. Kytke virtajohto aina maadoitettuun pistorasiaan.
- Irrota laite pistorasiasta ja anna sen jäähtyä ennen puhdistamista tai varastointia.
- Älä lämmitä suljetuissa säilyketölkkeissä olevia elintarvikkeita laitteessa. Se voi aiheuttaa henkilövahinkoja, vahingoittaa laitetta ja mitätöidä takuun.
- Älä laita laitteeseen ruokaa korkeille lämpötiloille sopimattomissa astioissa, kuten muovipusseissa, styrox-astioissa, muovi- ja paperipakkauksissa. Erikoispussien ja paistohylsujen käyttö on sallittua, mutta niitä on käytettävä erityisen varovaisesti. Pidä mielessä, että paistohylsy kasvaa paistamisen aikana ja on ehdottomasti varmistettava, että hylsy ei kosketa halogeenilämmitintä ja sen suojusta.
- Käytä laitetta vain 4Swiss-merkkisten lisävarusteiden kanssa. Kolmannen osapuolen lisävarusteiden käyttö voi vahingoittaa laitetta ja mitätöidä takuun.
- Älä aseta laitetta syttyvien pintojen/materiaalien, kuten tynnyjen, pöytäliinojen tai verhojen päälle tai niiden läheisyyteen. Se voi aiheuttaa henkilövahinkoja, vahingoittaa laitetta ja mitätöidä takuun.
- Kuuma ilma poistuu ilmanpoistoaukon kautta, kun laite on käytössä. Vammojen välttämiseksi pidä aina kätesi ja kasvosi kaukana tuuletusaukoista ja ilman ulostuloaukoista.
- Loukkaantumisen välttämiseksi ole varovainen avatessasi laitteen laatikkoa.
- Jos laitteesta alkaa tulla savua, irrota laite välittömästi pistorasiasta ja hajota savu ennen laatikon avaamista.
- Varmista, että ruoka ei ulotu laitteen laatikon reunoihin yli. Laatikon täyttämisen yli sen kapasiteetin voi aiheuttaa henkilövahinkoja, vahingoittaa laitetta ja mitätöidä takuun.
- Älä koskaan täytä laitetta öljyllä. Se voi aiheuttaa henkilövahinkoja, vahingoittaa laitetta ja mitätöidä takuun.



## Tuotteen toiminnot

4Swiss ABB-G24-ilmakeitin kierrättää erittäin kuumaa ilmaa ruoan ympärillä, jolloin tavallisesti käytettävää öljyä ei tarvita. Intensiivinen kuuma ilmavirtaus takaa terveellisemmän aterian ja antaa samalla hyvän maun ruoalle, joka on herkullisen rapeaa ulkoa ja täydellisen kypsää sisältä. Repeat ranskalaiset, vihannekset, kana, kala, pihvit ja muut ovat vain käden ulottuvilla, minkä lisäksi laite on helppo huoltaa, nopea puhdistaa ja vapaa tyyppillisestä rasvaisesta sotkusta.

Laite on varustettu ainutlaatuisella, erittäin tehokkaalla halogeenilämmityselementillä, joka sekä lämmittää että valaisee ruoan keittotasossa olevan ruoan käytön aikana. Halogeenia ohjataan termostaattiipiirin avulla, eikä se toimi jatkuvasti. Näin ollen visuaalinen valaistusvaikutus on havaittavissa vain halogeenin lämmitysjakson aikana. Toiminnan aikana halogeeni syttyy ja sammuu vaihtelevin väliajoin (lämpötilasta riippuen), mikä on tarkoituksellista ja laitteen oikea toimintatapa.

Koska turvallisuus ja käyttäjätyytyväisyys ovat etusijalla, laite on rakennettu korkeimpien turvallisuus- ja toiminnallisuusstandardien mukaisesti.

## Tekniset parametrit

Tuotteen nimi: Älykäs ilmankuivain

Tuotemalli: ABB-G24

Laatikon kapasiteetti: 3L

Nimellisjännite: 220V

Nimellistaajuus: 50Hz

Nimellisteho: 1200W

## Pääyksikön kuvaus

Kuvitus nro 1

1. Lämpösuoja
2. Paistolevy
3. Laatikon kahva
4. Lasi laatikon runko
5. Kosketuspaneeli
6. Ilmanottoaukko
7. Kuuman ilman ulostulo
8. Virtajohto

## Ohjauspaneelin kuvaus

Kuvitus nro 2

1. Siivet - 180°C - 15 min
2. Rummunkeppi - 180°C - 25 min
3. Rintafileet - 180°C - 20 min
4. Pihvi - 180°C - 12 min
5. Katkaravut - 170°C - 10 min
6. Kala - 180°C - 15 min
7. Lastut - 180°C - 18 min
8. Kaku - 160°C - 20 min
9. Jamssit - 180°C - 35 min
10. Munatortut - 160°C - 12 min.
11. Kastanja - 180°C - 20 min
12. Sulatus - 80°C - 25 min
13. (-) -näppäin
14. Digitaalinen näyttö
15. Lämpötilan ilmaisin
16. Aikaindikaattori
17. (+) näppäin
18. PRE-SET-näppäin
19. TIME/TEMP-näppäin
20. MENU-näppäin
21. START/CANCEL-näppäin

## Valmistelu käyttöä varten

1. Poista kaikki pakkausmateriaalit.
2. Puhdista grilli ja lasilokero kuumalla vedellä, pesuaineella ja hankaamattomalla sienellä. Lasiosia ei voi puhdistaa astianpesukoneessa.
3. Pyyhi tuotteen sisä- ja ulkopuoli kostealla liinalla.
4. Aseta tämä tuote vakaalle ja tasaiselle alustalle. Tuotteen ympärille on varattava riittävästi tilaa, jotta pinnasta on vähintään 10 cm:n etäisyys muihin esineisiin. Mitään esineitä ei saa sijoittaa ilman sisään- tai ulostuloaukkoon. Älä aseta tuotetta pinnalle, joka ei ole kuumuutta kestävä.

## Käyttöönotto ja ensimmäinen käyttö

1. Aseta paistolevy laatikkoon ja aseta ruoka sen päälle. Liu'uta sitten laatikko pääkoteloon, kunnes se on täysin kiinni.
2. Kytke laite verkkovirtaan ja aseta haluttu aika ja lämpötila manuaalisesti ohjauspaneelin avulla tai valitse haluamasi esiasetettu ohjelma.
3. Aloita paistaminen painamalla START/STOP-näppäintä. Lisätietoja ajan ja lämpötilan asettamisesta on alaluvussa "Säätimet ja käyttö".
4. Ravista tai käännä laatikossa olevia elintarvikkeita tarpeen mukaan. Liu'uta laatikko ulos ja käännä tai ravista ruokaa varovasti. Työnä laatikko takaisin koteloon, kunnes se on täysin kiinni. Laite muistaa ajan ja asetukset ja jatkaa automaattisesti siitä hetkestä, jolloin kypsennys keskeytettiin.

**Huomautus:** Kun käytät sitä ensimmäistä kertaa, saatat haistaa erikoisen hajun. Tämä on normaalia, eikä se ole tuotteen vika. Älä koskaan kaada öljyä tai rasvaa ilmankuivaimeen.

## Lämpösuojan käyttö

Laite on varustettu lämpösuojalla, joka erottaa lasikulhon kuumat osat toisistaan ja suojaaa käyttäjää palovammoilta. Suoja on helppo irrottaa lasilaatikon asianmukaista pesua varten. Käytä aina lämpösuojaa, jotta vältät tahattoman palovamman vaaran.

## Ohjauslaitteet ja toiminta

### Ennalta määritellyt ohjelmat

Paina valmiustilassa MENU-näppäintä valitaksesi 12 ennalta määritettyä ohjelmaa. Digitaalisessa näytössä näkyvät numerot 01-12. Kun olet valinnut ohjelman, paina START/STOP-näppäintä aloittaaksesi paistamisen; paina tätä näppäintä uudelleen keskeyttääksesi. Tällöin näyttöruudussa vilkkuu nykyisen valikon numero ja tuuletin lakkaa toimimasta 10 sekunnin kuluttua. Käytä +/- näppäimiä lämpötilan/ajan asettamiseen. Palaa asetettavaan valikkonumeroon painamalla MENU-näppäintä 2 sekunnin ajan. Pidä START/STOP-näppäintä painettuna 2 sekunnin ajan työttilassa palataksesi valmiustilaan.

**Huomautus:** Laitteessa on ohjelmamuisti. Lasilokeron avaaminen keskeyttää lämmitystoiminnon, mutta kun lokero asetetaan takaisin paikalleen, laite jatkaa toimintaa edellisillä asetuksilla ja valitulla ohjelmalla.

### Käsitkäyttö

Kun TIME/TEMP-näppäintä painetaan, näytön lämpötila vilkkuu, mikä osoittaa, että lämpötila voidaan asettaa; kun näppäintä painetaan uudelleen, asetettu aika vilkkuu, mikä osoittaa, että aika voidaan asettaa. Kun asetat lämpötilaa, voit nostaa tai laskea lämpötilaa 5 °C painamalla +/- näppäimiä ja nostaa tai laskea lämpötilaa 5 °C nopeasti painamalla +/- näppäimiä pitkään. Kun asetat aikaa, voit lisätä tai vähentää aikaa 1 minuutilla napsauttamalla +/- näppäimiä ja lisätä tai vähentää aikaa nopeasti 1 minuutilla painamalla +/- näppäimiä pitkään.

### PRE-SET-näppäin

Paina MENU-näppäintä valitaksesi esiasetetun ohjelman ja paina sitten PRE-SET-näppäintä valitaksesi viivästetyn käynnistysajan. Näytössä oleva aika vilkkuu, aseta aika näppäimillä +/- välille 1h - 18h. Paina START/STOP-näppäintä käynnistääksesi lähtölaskennan. Lähtölaskennan aikana laitteen näppäimet lukittuvat. Voit pysäyttää lähtölaskennan painamalla pitkään START/STOP-näppäintä.

**Huomautus:** Seuraavien reseptien lämpötila- ja aika-asetukset ovat vain viitteellisiä. Säädä asetukset aterian todellista kokoa vastaaviksi korjaamalla lämpötila ja aika itse.

## Puhdistus ja huolto

Anna laitteen jäähtyä kokonaan ennen puhdistusta. Pyyhi laitteen ulkopinta puhtaalla, kostealla liinalla.

Pese laatikko kuumalla vedellä, pesuaineella ja hankaamattomalla sienellä. Paistolevy on astianpesukoneen kestävä. Paistolevyssä on tarttumaton keraaminen pinnoite; älä käytä metalliesineitä tai hankaavia puhdistusaineita niiden puhdistamiseen. Jos kotelon ontelossa on ruokajäämiä tai muita roskia, poista ne kostealla, puhtaalla liinalla ja kuivaa alue puhtaalla, kuivalla liinalla.

**Huomautus:** Käytä metallisia ruokailuvälineitä tai pihtejä varovasti ja vältä suoraa kosketusta tarjottimen pintaan. Älä käytä puhdistukseen hankaavia puhdistusaineita (metalliharja, hankaavat sienet, metallityökalat jne.).

## Vianmääritys

Seuraavat ongelmat eivät välttämättä tarkoita, että laite on viallinen. Lue seuraavasta osiosta yksinkertaiset ratkaisut yleisimpiin ongelmiin.

### Ongelma 1

Laitteen sisällä oleva valo syttyy ja sammuu ajoittain.

#### Tietoja:

Halogeenilämmityselementtiä ohjataan termostaattipiirillä, eikä se toimi jatkuvasti. Toiminnan aikana halogeeni syttyy ja sammuu vaihtelevin väliajoin (lämpötilasta riippuen), mikä on tarkoituksellista ja oikein.

### Ongelma 2

Ruoka kypsennetään epätasaisesti.

#### Mahdollinen syy:

Joitakin ruokia on käänneltävä tai ravistettava kypsennyksen aikana.

#### Ratkaisu:

Kun laite on käynnissä, vedä laatikko ulos ja ravista sisältöä tai käännä ruokaa haarukalla tai pihdeillä.

### Ongelma 3

Laitteesta tulee valkoista savua kypsennyksen aikana.

#### Mahdollinen syy:

Laitteen laatikkoon on kertynyt rasvaa/öljyä.

#### Ratkaisu:

Varmista, ettei laatikkoon ole kertynyt rasvaa tai öljyä. Puhdista laatikko ja friteerauslevy aina ruoanvalmistuksen jälkeen.

### Ongelma 4

Laatikko ei liu' u paikalleen.

#### Mahdollinen syy:

Laatikko on liian täynnä.

#### Ratkaisu:

Älä täytä laatikkoa yli sen kapasiteetin. Ruoka ei saa ulottua laatikon yläreunan yläpuolelle.

## Takuuehdot

1. Takuu kattaa vain valmistajasta johtuvat piilevät viat.
2. Vaatimus käsitellään myyntipisteessä tai takuun piiriin kuuluvassa teknisessä palvelussa, jos asiakas esittää:
  - a. voimassa oleva ja selkeä takuukortti, joka on asianmukaisesti täytetty ja jossa on myyjän myyntileima ja allekirjoitus,
  - b. voimassa oleva ostotodistus, jossa on myyntipäivämäärä,
  - c. ilmoitettu tuote tai viallinen osa. Etäoston yhteydessä takuukortti on voimassa ainoastaan ostotodistuksen (kuitti/lasku) kanssa.
3. Reklamaatio ratkaistaan 14 päivän kuluessa asiakkaan tekemästä ilmoituksesta.
4. Takuuaikana havaitut valmistusvirheet korjataan maksutta 21 päivän kuluessa siitä, kun tuote on toimitettu myyntipisteeseen tai tekniseen palveluun.
5. Jos korjausta varten on tarpeen tuoda osia maahan, takuukorjausaikaa voidaan pidentää osan maahantuonnin vaatimalla ajalla, kuitenkin enintään 40 päivällä.
6. Takuu ei koske:
  - a. mekaaniset vauriot ja niihin liittyvät viat,
  - b. vahingot ja viat, jotka johtuvat väärinkäytöstä ja epäasianmukaisesta varastoinnista, kokoonpanosta ja huollosta,
  - c. tällaisten kuluvien osien vaurioituminen ja kuluminen,
  - d. kokoonpanoon tai huoltoon liittyvät toimet, jotka ovat käyttäjän velvollisuus käyttöohjeen mukaisesti.
7. Takuu ei ole voimassa, kun:
  - a. sen voimassaoloaika on päättynyt,
  - b. asiakas on korjannut tai muuttanut tuotetta käyttämällä muita kuin aitoja osia,
  - c. vika johtui virheellisestä asennuksesta tai siitä, että käyttöohjeen oikeaa käyttöä koskevia sääntöjä ei ole noudatettu,
  - d. tuotetta käytetään muuhun kuin kotitalouskäyttöön,
  - e. kuljetuksen aikana tapahtuneet vauriot.
8. Takuukortista ei anneta kaksoiskappaleita.
9. Asiakkaalla on oikeus seuraaviin korvauksiin maksutta:
  - a. tuotteen korjaus,

- b. tuotteen korvaaminen,
  - c. alennettu hinta,
  - d. sopimuksen irtisanominen ja täysi kustannusten korvaus.
10. Ilmoita vahinkoilmoitus:
- a. Esittele tuote tai sen raportoitu osa.
  - b. Esitä ostotodistus, jossa on myyjän nimi ja osoite, ostopäivämäärä ja -paikka, tuotetyyppi tai voimassa oleva takuukortti, jossa on myyntipaikan leima.
  - c. Jos tuote toimitetaan likaisena, tekninen palvelu voi kieltäytyä ottamasta sitä vastaan tai puhdistaa sen asiakkaan kustannuksella sen jälkeen, kun se on saanut siihen kirjallisen luvan.
11. Jos reklamaatio hyväksytään, laite korjataan tai vaihdetaan uuteen tai asiakkaalle maksetaan korvaus. Kuljetuskustannukset valmistajan palvelusta kattaa huolto.
12. Jos vaatimus hylätään, asiakkaalle toimitetaan yksityiskohtaiset perustelut päätökselle ja laite lähetetään asiakkaalle hänen kustannuksellaan 14 päivän kuluessa päätöksen tekemisestä.

### Käyttö

Sähkö- ja elektroniikkalaitteiden käytöstä poistetun jätteen käsittely (WEEE-lainsäädäntö).

Pakkauksessa, lisävarusteissa tai käyttöoppaassa oleva merkintä osoittaa, että käytöstä poistettuja laitteita ja niihin liitetyjä elektronisii lisävarusteita ei saa laittaa yhdyskuntajäteastiaan muun kotitalousjätteen joukkoon.

Elektroniikkaromun epäasianmukainen käsittely voi johtaa epäpuhtauksien joutumiseen ympäristöön tai terveysriskeihin virheellisen hävittämisen vuoksi. Erottele tämä jäte muusta jätteestä ja kierrätä se, jotta raaka-aineet voidaan käyttää uudelleen. Kierrätyksessä ne sallivat raaka-aineiden uudelleenkäytön.

## Instructions et avis de sécurité

Veuillez lire attentivement ce manuel pour mieux comprendre comment utiliser le produit. Certains conseils de sécurité essentiels, dont les suivants, doivent être respectés pendant l'utilisation.

- L'appareil cuit les aliments à l'air chaud, sans utiliser d'huile. Ne versez jamais d'huile dans l'appareil. Vous risqueriez de provoquer un incendie, des blessures, d'endommager l'appareil et d'annuler la garantie.
- Nous vous recommandons de brancher l'appareil sur le secteur sans utiliser de rallonge. Le cordon d'alimentation court est spécifiquement conçu comme une mesure de sécurité pour réduire le risque que les enfants saisissent ou jouent avec le cordon et pour protéger l'utilisateur contre le risque de trébucher sur un long cordon d'alimentation.
- Cet appareil est destiné à être utilisé à l'intérieur uniquement. Ne jamais utiliser l'appareil à l'extérieur.
- L'appareil chauffe pendant son fonctionnement. Soyez prudent lorsque vous manipulez l'appareil et les accessoires afin d'éviter les brûlures ou les blessures.
- Avant toute utilisation, assurez-vous que l'appareil est placé sur une surface plane, propre et sèche.
- Placez l'appareil hors de portée des enfants ou de toute personne dont les capacités physiques, sensorielles ou mentales peuvent l'empêcher de l'utiliser en toute sécurité.
- Afin d'éviter tout risque d'étouffement pour les jeunes enfants, retirez et jetez les films de protection et les emballages en plastique des accessoires de l'appareil.
- Ne placez pas l'appareil à proximité de brûleurs à gaz, à céramique, à induction ou électriques chauds. Vous risqueriez de vous blesser, d'endommager l'appareil et d'annuler la garantie.
- Pour éviter tout risque d'électrocution, ne jamais immerger le cordon d'alimentation de l'appareil dans l'eau ou dans un autre liquide. Ne rincez pas le boîtier de l'appareil avec de l'eau ou tout autre liquide. Vous risqueriez de vous blesser, d'endommager l'appareil et d'annuler la garantie.
- Soyez extrêmement prudent lorsque vous manipulez des aliments et des surfaces chauds.
- Ne déplacez pas l'appareil lorsqu'il est allumé et en fonctionnement. Vous risqueriez de vous blesser, d'endommager l'appareil et d'annuler la garantie.
- La plaque de friture, la grille en acier et les brochettes peuvent être très chaudes pendant et après la friture. Utilisez des gants de cuisine pour éviter les brûlures.
- Inspectez régulièrement l'appareil, son cordon d'alimentation et sa fiche. N'utilisez pas l'appareil si le cordon d'alimentation ou la fiche sont endommagés. Si l'appareil fonctionne mal ou est endommagé de quelque manière que ce soit, contactez le service clientèle de 4Swiss.
- L'appareil est destiné à un usage domestique uniquement. N'utilisez jamais l'appareil comme un équipement de restauration professionnelle ou à d'autres fins que celles pour lesquelles il a été conçu. Cela risquerait d'endommager l'appareil et d'annuler la garantie.
- Ne pas utiliser de produits abrasifs, de laine d'acier ou d'écouillons pour nettoyer l'appareil. Voir la section "Nettoyage et entretien" pour plus d'informations.
- Pour éviter les blessures, ne tirez pas le cordon par-dessus le bord du comptoir.
- Ne couvrez pas les entrées/sorties d'air à l'arrière de l'appareil lorsqu'il fonctionne. Cela pourrait entraîner une cuisson inégale et endommager l'appareil.
- Ne pas connecter l'appareil à une minuterie externe ou à un système de commande à distance séparé.
- Laissez un espace libre d'au moins 10 cm autour de l'appareil pour assurer une bonne circulation de l'air.
- N'utilisez pas l'appareil ou ses accessoires dans un four à micro-ondes, un four grille-pain, un four à convection, un four à gaz, un four électrique ou sur une table de cuisson ou un gril en céramique, électrique, à gaz ou à induction. Vous risqueriez de vous blesser, d'endommager l'appareil et d'annuler la garantie.
- Assurez-vous que l'appareil est propre avant de l'utiliser. Tenir le cordon d'alimentation à l'écart des surfaces chaudes.
- L'appareil est équipé d'une fiche à 3 fils avec mise à la terre. Branchez toujours le cordon d'alimentation dans une prise électrique mise à la terre.
- Débranchez l'appareil et laissez-le refroidir avant de le nettoyer ou de le ranger.
- Ne chauffez pas de boîtes de conserve scellées dans l'appareil. Vous risqueriez de vous blesser, d'endommager l'appareil et d'annuler la garantie.
- Ne mettez pas dans l'appareil des aliments dans des récipients qui ne sont pas adaptés à des températures élevées, tels que des sacs en plastique, des récipients en polystyrène, des emballages en plastique et en papier. L'utilisation de sacs spéciaux et de manchons de cuisson est autorisée, mais elle doit se faire avec une prudence particulière. N'oubliez pas que le manchon de cuisson augmente de volume pendant la cuisson et qu'il est impératif de veiller à ce que le manchon ne touche pas la résistance halogène et son couvercle.
- N'utilisez l'appareil qu'avec des accessoires de la marque 4Swiss. L'utilisation d'accessoires d'autres marques peut endommager l'appareil et annuler la garantie.
- Ne placez pas l'appareil sur ou à proximité de surfaces/matériaux inflammables tels que des oreillers, des nappes ou des rideaux. Vous risqueriez de vous blesser, d'endommager l'appareil et d'annuler la garantie.
- De l'air chaud s'échappe par la sortie d'air lorsque l'appareil est utilisé. Pour éviter les blessures, gardez toujours vos mains et votre visage à l'écart des événements et des sorties d'air.
- Pour éviter toute blessure, soyez prudent lorsque vous ouvrez le tiroir de l'appareil.
- Si de la fumée commence à sortir de l'appareil, débranchez-le immédiatement et dispersez la fumée avant d'ouvrir le tiroir.

- Veillez à ce que les aliments ne dépassent pas des parois du tiroir de l'appareil. Le fait de remplir le tiroir au-delà de sa capacité peut entraîner des blessures, endommager l'appareil et annuler la garantie.
- Ne jamais remplir l'appareil d'huile. Cela pourrait entraîner des blessures, endommager l'appareil et annuler la garantie.

### Fonctions du produit

La friteuse 4Swiss ABB-G24 fait circuler de l'air ultra-chaud autour des aliments, éliminant ainsi le besoin d'utiliser de l'huile. L'afflux intensif d'air chaud garantit des repas plus sains tout en donnant un goût délicieux aux aliments, qui deviennent délicieusement croustillants à l'extérieur et parfaitement cuits à l'intérieur. Des frites croustillantes, des légumes, du poulet, du poisson, des steaks et bien plus encore seront à portée de main. De plus, l'appareil est facile à entretenir, rapide à nettoyer et exempt de toute trace de graisse.

L'appareil est équipé d'un élément chauffant halogène unique et très efficace qui chauffe et éclaire les aliments à l'intérieur du tiroir de cuisson pendant le fonctionnement. L'élément halogène est contrôlé par le circuit du thermostat et ne fonctionne pas en continu. Ainsi, l'effet d'éclairage visuel ne peut être observé que pendant le cycle de chauffage de l'halogène. Pendant le fonctionnement, l'halogène s'allume et s'éteint à intervalles variables (en fonction de la température), ce qui est intentionnel et correspond au mode de fonctionnement correct de l'appareil.

La sécurité et la satisfaction de l'utilisateur étant notre priorité absolue, l'appareil est construit selon les normes de sécurité et de fonctionnalité les plus strictes.

### Paramètres techniques

Nom du produit : Smart airfryer

Modèle du produit : ABB-G24

Capacité du tiroir : 3L

Tension nominale : 220V

Fréquence nominale : 50Hz

Puissance nominale : 1200W

### Description de l'unité principale

Illustration n° 1

1. Bouclier thermique
2. Plaque de friture
3. Poignée du tiroir
4. Corps du tiroir en verre
5. Panneau tactile
6. Entrée d'air
7. Sortie d'air chaud
8. Cordon d'alimentation

### Description du panneau de contrôle

Illustration n°2

1. Ailes - 180°C - 15 min
2. Pilon - 180°C - 25 min
3. Côtes de porc - 180°C - 20 min
4. Steak - 180°C - 12 min
5. Crevettes - 170°C - 10 min
6. Poisson - 180°C - 15 min
7. Chips - 180°C - 18 min
8. Gâteau - 160°C - 20 min
9. Igname - 180°C - 35 min
10. Tartelettes aux œufs - 160°C - 12 min
11. Châtaigne - 180°C - 20 min
12. Décongélation - 80°C - 25 min
13. Touche (-)
14. Affichage numérique
15. Indicateur de température
16. Indicateur de temps

17. Touche (+)
18. Touche PRE-SET
19. Touche TIME/TEMP
20. Touche MENU
21. Touche START/CANCEL

## Préparation à l'utilisation

1. Retirer tous les matériaux d'emballage.
2. Nettoyez le gril et le tiroir en verre avec de l'eau chaude, du détergent et une éponge non abrasive. Les éléments en verre ne peuvent pas être nettoyés au lave-vaisselle.
3. Essayez l'intérieur et l'extérieur du produit avec un chiffon humide.
4. Placez ce produit sur une surface stable et plane. Un espace suffisant doit être réservé autour de l'appareil afin de garantir une distance d'au moins 10 cm entre la surface et d'autres objets. Aucun objet ne doit être placé dans l'entrée ou la sortie d'air. Ne placez pas le produit sur une surface qui ne résiste pas à la chaleur.

## Installation et première utilisation

1. Placez la plaque de friture dans le tiroir et déposez-y les aliments. Glissez ensuite le tiroir dans le boîtier principal jusqu'à ce qu'il soit complètement fermé.
2. Branchez l'appareil et réglez manuellement la durée et la température souhaitées à l'aide du panneau de commande ou sélectionnez le programme prédéfini souhaité.
3. Appuyez sur la touche START/STOP pour lancer la cuisson. Pour plus d'informations sur le réglage de la durée et de la température, reportez-vous à la sous-section "Commandes et fonctionnement".
4. Secouez ou retournez les aliments dans le tiroir si nécessaire. Pour ce faire, faites glisser le tiroir et tournez ou secouez les aliments avec précaution. Remettez le tiroir dans son logement jusqu'à ce qu'il soit complètement fermé. L'appareil se souviendra de l'heure et des réglages et continuera automatiquement à partir du moment où la cuisson a été interrompue.

**Remarque :** il se peut que vous sentiez une odeur particulière lors de la première utilisation. C'est normal et ce n'est pas un défaut du produit. Ne versez jamais d'huile ou de graisse dans le sèche-cheveux.

## Utilisation de l'écran thermique

L'appareil est équipé d'un écran thermique qui sépare les parties chaudes du bol en verre et protège l'utilisateur contre les brûlures. L'écran est facile à retirer pour laver correctement le tiroir en verre. Utilisez toujours l'écran thermique pour éviter tout risque de brûlure accidentelle.

## Contrôles et fonctionnement

### Programmes prédéfinis

Appuyez sur la touche MENU en mode veille pour sélectionner 12 programmes prédéfinis. L'écran numérique affiche les chiffres 01 à 12. Après avoir choisi le programme, appuyez sur la touche START/STOP pour lancer la cuisson ; appuyez à nouveau sur cette touche pour faire une pause. A ce moment, l'écran d'affichage clignote le numéro du menu en cours et le ventilateur s'arrête de fonctionner après 10 secondes. Utilisez les touches +/- pour régler la température et l'heure. Appuyez sur la touche MENU pendant 2 secondes pour revenir au numéro de menu paramétrable. Appuyez sur la touche START/STOP et maintenez-la enfoncée pendant 2 secondes lorsque l'appareil est en marche pour revenir à l'état de veille.

**Remarque :** L'appareil dispose d'une mémoire de programme. L'ouverture du tiroir en verre interrompt la fonction de chauffage, mais lorsque le tiroir est réinséré, l'appareil continue à fonctionner avec les réglages précédents et le programme sélectionné.

### Fonctionnement manuel

Lorsque l'on appuie sur la touche TIME/TEMP, la température à l'écran clignote, indiquant que la température peut être réglée ; lorsque l'on appuie à nouveau sur la touche, l'heure réglée clignote, indiquant que l'heure peut être réglée. Lors du réglage de la température, cliquer sur les touches +/- pour augmenter ou diminuer de 5°C, et appuyer longuement sur les touches +/- pour augmenter ou diminuer rapidement de 5°C. Lors du réglage de l'heure, cliquez sur les touches +/- pour augmenter ou diminuer d'une minute, et appuyez longuement sur les touches +/- pour augmenter ou diminuer rapidement d'une minute.

### Touche PRE-SET

Appuyez sur la touche MENU pour sélectionner le programme prédéfini, puis appuyez sur la touche PRE-SET pour sélectionner l'heure de démarrage différé. L'heure à l'écran clignote, utilisez les touches +/- pour régler l'heure entre 1h et 18h. Appuyez sur la touche START/STOP pour démarrer le compte à rebours. Pendant le compte à rebours, les touches de l'appareil sont verrouillées. Pour arrêter le compte à rebours, appuyez longuement sur la touche START/STOP.

**Remarque :** Les réglages de température et de durée des recettes suivantes sont donnés à titre indicatif. Adaptez les réglages à la taille réelle du repas en corrigeant vous-même la température et la durée.

## Nettoyage et entretien

Laissez l'appareil refroidir complètement avant de le nettoyer. Utilisez un chiffon propre et humide pour essuyer l'extérieur de l'appareil.

Lavez le tiroir avec de l'eau chaude, du détergent et une éponge non abrasive. La plaque à frire peut être lavée au lave-vaisselle. La plaque à frire est recouverte d'un revêtement antiadhésif en céramique ; n'utilisez pas d'objets métalliques ou de nettoyeurs abrasifs pour la nettoyer. S'il y a des résidus alimentaires ou d'autres débris dans la cavité du boîtier, enlevez-les avec un chiffon humide et propre, puis séchez la zone avec un chiffon propre et sec.

**Remarque :** utilisez avec précaution des couverts ou des pinces en métal, en évitant tout contact direct avec la surface du plateau. Ne pas utiliser de produits abrasifs (brosse métallique, éponges abrasives, outils métalliques, etc).

## Dépannage

Les problèmes suivants ne signifient pas nécessairement que l'appareil est défectueux. Veuillez lire la section suivante pour découvrir des solutions simples aux problèmes les plus courants.

### Problème 1

La lumière à l'intérieur de l'appareil s'allume et s'éteint périodiquement.

#### Information :

L'élément chauffant halogène est contrôlé par le circuit du thermostat et ne fonctionne pas en continu. Pendant le fonctionnement, l'halogène s'allume et s'éteint à des intervalles variables (en fonction de la température), ce qui est intentionnel et correct.

### Problème 2

Les aliments sont cuits de manière inégale.

#### Cause possible :

Certains aliments doivent être retournés ou secoués pendant la cuisson.

#### Solution :

Pendant que l'appareil fonctionne, sortez le tiroir et secouez le contenu ou retournez les aliments à l'aide d'une fourchette ou d'une pince.

### Problème 3

De la fumée blanche s'échappe de l'appareil pendant la cuisson.

#### Cause possible :

De la graisse ou de l'huile s'est accumulée dans le tiroir de l'appareil.

#### Solution :

Assurez-vous qu'aucune graisse ou huile ne s'est accumulée dans le tiroir. Nettoyez le tiroir et la plaque de la friteuse après chaque cuisson.

### Problème 4

Le tiroir ne glisse pas en place.

#### Cause possible :

Le tiroir est trop plein.

#### Solution :

Ne remplissez pas le tiroir au-delà de sa capacité. Les aliments ne doivent pas dépasser le haut du tiroir.

## Conditions de garantie

1. La garantie ne couvre que les vices cachés imputables au fabricant.
2. La réclamation sera traitée par le point de vente ou le service technique dans le cadre de la garantie si le client produit :
  - a. une carte de garantie valide et claire, dûment remplie avec le cachet de vente et la signature du vendeur,
  - b. une preuve d'achat valide avec la date de vente,
  - c. le produit signalé ou la pièce défectueuse. Dans le cas d'un achat à distance, la carte de garantie n'est valable qu'avec la preuve d'achat (ticket de caisse/facture).
3. La réclamation est résolue dans les 14 jours suivant la déclaration du client.
4. Les défauts de fabrication constatés pendant la période de garantie sont réparés gratuitement dans les 21 jours suivant la livraison du produit au point de vente ou au service technique.
5. S'il est nécessaire d'importer des pièces pour la réparation, la période de réparation sous garantie peut être prolongée du temps nécessaire à l'importation de la pièce, sans dépasser 40 jours.



6. Exclusions de garantie :
  - a. les dommages mécaniques et les défauts connexes,
  - b. les dommages et défauts résultant d'une mauvaise utilisation et d'un stockage, d'un assemblage et d'un entretien inappropriés,
  - c. l'endommagement et l'usure de ces éléments consommables,
  - d. les activités liées à l'assemblage ou à l'entretien qui relèvent de l'obligation de l'utilisateur conformément au manuel.
7. La garantie ne s'applique pas dans les cas suivants
  - a. il a dépassé sa période de validité,
  - b. le client a réparé ou modifié le produit en utilisant des pièces non authentiques,
  - c. le défaut résulte d'une installation incorrecte ou du non-respect des règles de bon fonctionnement énoncées dans le manuel,
  - d. le produit est utilisé à des fins autres que domestiques,
  - e. les dommages survenus pendant le transport.
8. Aucun duplicata de la carte de garantie n'est délivré.
9. Le client a droit gratuitement aux compensations suivantes :
  - a. la réparation du produit,
  - b. remplacement du produit,
  - c. prix réduit,
  - d. la résiliation d'un contrat et la compensation intégrale des coûts.
10. Pour déclarer un sinistre :
  - a. Présenter le produit ou sa partie rapportée.
  - b. Présenter la preuve d'achat comportant le nom et l'adresse du vendeur, la date et le lieu d'achat, le type de produit, ou une carte de garantie valide portant le cachet du point de vente.
  - c. Si le produit est livré sale, le service technique peut refuser de l'accepter ou le nettoyer aux frais du client après son accord écrit.
11. Si la demande est acceptée, l'appareil est réparé ou remplacé par un nouvel appareil, ou le client est remboursé. Les frais de transport du service du fabricant couvrent le service.
12. Si la réclamation est rejetée, le client reçoit une justification détaillée de la décision et l'équipement lui est envoyé à ses frais dans les 14 jours suivant la communication de la décision.

### **Utilisation**

Traitement des déchets d'équipements électriques et électroniques en fin de vie (législation DEEE).

Le marquage sur l'emballage, les accessoires ou le manuel d'instructions indique que l'équipement en fin de vie et les accessoires électroniques qui y sont attachés ne doivent pas être placés dans les conteneurs de déchets municipaux avec les autres déchets ménagers.

Une mauvaise manipulation des déchets électroniques peut entraîner l'introduction de contaminants dans l'environnement ou des risques pour la santé en raison d'une élimination incorrecte. Séparer ces déchets des autres déchets et les recycler afin que les matières premières puissent être réutilisées. Pour le recyclage, ils permettent la réutilisation des matières premières.

## Biztonsági utasítások és figyelmeztetések

Kérjük, olvassa el figyelmesen ezt a kézikönyvet, hogy jobban megértse, hogyan kell használni a terméket. A használat során be kell tartani néhány alapvető biztonsági tanácsot, többek között az alábbiakat.

- A készülék forró levegővel, olaj használata nélkül főzi az ételt. Soha ne öntsön olajat a készülékbe. Ellenkező esetben tűz, személyi sérülés, a készülék károsodása és a garancia érvénytelensége következhet be.
- Javasoljuk, hogy a készüléket hosszabbítókábel nélkül csatlakoztassa a hálózathoz. A rövid tápkábel kifejezetten biztonsági intézkedésként terveztek, hogy csökkentse annak kockázatát, hogy a gyermekek megragadják vagy játszanak a kábellel, és hogy megvédje a felhasználót a hosszú tápkábelben való megbotlástól.
- Ez a készülék kizárólag beltéri használatra készült. Soha ne használja a készüléket kültéren.
- A készülék működés közben felmelegszik. Az égési sérülések vagy sérülések elkerülése érdekében legyen óvatos a készülék és a tartozékok kezelésénél.
- Használat előtt győződjön meg arról, hogy a készüléket vízszintes, tiszta és száraz felületre helyezte.
- Helyezze a készüléket gyermekek vagy olyan személyek számára elérhetetlen helyre, akik fizikai, érzékszervi vagy szellemi képességeik miatt nem tudják biztonságosan használni.
- A kisgyermekek fulladásveszélyének kiküszöbölése érdekében távolítsa el és dobja ki a készülékből a tartozékok védőfóliáit és műanyag csomagolását.
- Ne helyezze a készüléket forró gáz-, kerámia-, indukciós vagy elektromos égők közelébe. Ellenkező esetben személyi sérülést, a készülék károsodását és a garancia érvénytelenségét okozhatja.
- Az áramütés elkerülése érdekében soha ne merítse a készülék tápkábelét vízbe vagy más folyadékba. Ne öblítse a készülékházát vízzel vagy más folyadékkal. Ez személyi sérülést, a készülék károsodását és a garancia érvénytelenségét okozhatja.
- A forró ételek és forró felületek kezelésénél fokozott óvatossággal járjon el.
- Ne mozgassa a készüléket, amíg az be van kapcsolva és üzemben van. Ellenkező esetben személyi sérülés, a készülék károsodása és a garancia érvénytelensége következhet be.
- A sütőlap, az acéltartó és a nyársak nagyon forróak lehetnek sütés közben és után. Használjon sütőkesztyűt az égési sérülések elkerülése érdekében.
- Rendszeresen ellenőrizze a készüléket, a tápkábelét és a dugót. Ne használja a készüléket, ha a tápkábel vagy a dugó sérült. Ha a készülék meghibásodik vagy bármilyen módon megsérül, forduljon a 4Swiss ügyfélszolgálati központhoz.
- A készüléket kizárólag otthoni használatra szánják. Soha ne használja a készüléket professzionális vendéglátóipari berendezésként, illetve a rendeltetésszerű használaton kívül más célra. Ellenkező esetben a készülék károsodhat, és a garancia érvényét vesztheti.
- Ne használjon súrolószereket, acélgyapopot vagy súrolószereket a készülék tisztításához. További információkért lásd a "Tisztítás és karbantartás" című szakaszt.
- A sérülések elkerülése érdekében ne húzza át a zsinórt a munkalap szélén.
- Működés közben ne takarja le a készülék hátoldalán lévő légbevezető nyílásokat/kivezetéseket. Ez egyenetlen főzést és a készülék károsodását okozhatja.
- Ne csatlakoztassa a készüléket külső időzítőhöz vagy külön távirányító rendszerhez.
- Hagyjon legalább 10 cm szabad helyet a készülék körül a megfelelő légáramlás érdekében.
- Ne használja a készüléket vagy tartozékait mikrohullámú sütőben, kenyérpíritóban, konvektoros sütőben, gáztűzhelyen, elektromos sütőben, illetve kerámia-, elektromos, gáz- vagy indukciós főzőlapon vagy grillen. Ez személyi sérülést, a készülék károsodását és a garancia érvénytelenségét okozhatja.
- Használat előtt győződjön meg arról, hogy a készülék tiszta. Tartsa távol a tápkábelét a forró felületektől.
- A készülék 3 vezetékes földelt dugóval van felszerelve. A tápkábelét mindig földelt konnektorba dugja be.
- Tisztítás vagy tárolás előtt húzza ki a készüléket a konnektorból, és hagyja kihűlni.
- Ne melegítsen lezárt konzerveket a készülékben. Ellenkező esetben személyi sérülést, a készülék károsodását és a garancia érvénytelenségét okozhatja.
- Ne tegyen a készülékbe magas hőmérsékletre alkalmatlan edényekben, például műanyag zacskókban, polisztról edényekben, műanyag- és papírcsomagolásban tárolt élelmiszerek. A speciális zacskók és sütőhüvely használata megengedett, de ezeket különös óvatossággal kell használni. Tartsa szem előtt, hogy a sütőhüvely térfogata sütés közben megnő, és feltétlenül ügyelni kell arra, hogy a sütőhüvely ne érjen a halogén fűtőtesthez és annak burkolatához.
- A készüléket csak a 4Swiss márkájú tartozékokkal használja. Harmadik féltől származó tartozékok használata károsíthatja a készüléket és érvénytelenítheti a garanciát.
- Ne helyezze a készüléket gyúlékony felületekre/anyagokra vagy azok közelébe, például párnákra, terítőkre vagy függönyökre. Ellenkező esetben személyi sérülést, a készülék károsodását és a garancia érvénytelenségét okozhatja.
- A készülék használatakor a forró levegő a légkivezetésen keresztül távozik. A sérülések elkerülése érdekében mindig tartsa távol kezét és arcát a szellőzőnyílásoktól és a légkivezető nyílásoktól.
- A sérülések elkerülése érdekében legyen óvatos a készülék fiókjának kinyitásával.
- Ha a készülékből füst kezd távozni, azonnal húzza ki a készüléket, és a fiók kinyitása előtt osszassa el a füstöt.
- Ügyeljen arra, hogy az ételek ne nyúljanak ki a készülék fiókjának oldalain. A fiók kapacitását meghaladó feltöltése személyi sérülésekhez, a készülék károsodásához és a garancia érvénytelenségéhez vezethet.

- Soha ne töltse fel a készüléket olajjal. Ellenkező esetben személyi sérülést, a készülék károsodását és a garancia érvénytelenségét okozhatja.

## Termékfunkciók

A 4Swiss ABB-G24 légsütőgép ultraforró levegőt keringtet az étel körül, így nincs szükség olaj használatára, amelyet általában használnának. Az intenzív forró levegő beáramlása egészségesebb ételeket biztosít, miközben nagyszerű ízű ételeket biztosít, amelyek kívülről finoman ropogósak, belülről pedig tökéletesen átsülnek. A ropogós sült krumpli, zöldség, csirke, hal, steak és még sok más csak egy karnyújtásnyira lesz, ráadásul a készülék könnyen karbantartható, gyorsan tisztítható, mentes a tipikus zsíros szennyeződésektől.

A készülék egyedülálló, rendkívül hatékony halogén fűtőelemmel van felszerelve, amely működés közben egyszerre melegíti és világítja meg a főzőfiókban lévő ételt. A halogént a termosztát áramkör vezérli, és nem működik folyamatosan. Így a vizuális megvilágítási hatás csak a halogén fűtési ciklus alatt figyelhető meg. Működés közben a halogén változó időközönként (hőmérsékletfüggő) be- és kikapcsol, ami szándékos és a készülék helyes működési módja.

Mivel a biztonság és a felhasználói elégedettség a legfontosabb prioritásunk, a készüléket a legmagasabb biztonsági és funkcionális szabványok szerint építettük.

## Műszaki paraméterek

Termék neve: Smart airfryer  
 Termékmodell: ABB-G24  
 A fiók kapacitása: 3L  
 Névleges feszültség: 220V  
 Névleges frekvencia: 50Hz  
 Névleges teljesítmény: 1200W

## Fő egység leírása

### 1. számú illusztráció

1. Hőpajzs
2. Sütőlemez
3. Fiók fogantyú
4. Üveg fióktest
5. Érintőpanel
6. Légbeömlőnyílás
7. Forró levegő kivezetés
8. Tápkábel

## Vezérlőpanel leírása

### 2. illusztráció

1. Szárnyak - 180°C - 15 perc
2. Dobverő - 180°C - 25 perc
3. Megtisztított oldalal - 180°C - 20 perc
4. Steak - 180°C - 12 perc
5. Garnélarák - 170°C - 10 perc
6. Hal - 180°C - 15 perc
7. Chips - 180°C - 18 perc
8. Sütemény - 160°C - 20 perc
9. Jamgyökér - 180°C - 35 perc
10. Tojásos lepény - 160°C - 12 perc
11. Gesztenye - 180°C - 20 perc
12. Kiolvasztás - 80°C - 25 perc
13. (-) billentyű
14. Digitális kijelző
15. Hőmérsékletjelző
16. Időjelző
17. (+) billentyű
18. PRE-SET gomb
19. TIME/TEMP gomb

20. MENÜ gomb
21. START/CANCEL gomb

## Felkészülés a használatra

1. Távolítsa el minden csomagolóanyagot.
2. Tisztítsa meg a grillrácst és az üvegfiókot forró vízzel, mosószerrel és nem súroló szivaccsal. Az üvegalkatrészek nem tisztíthatók mosogatógépben.
3. Törölje át a termék belsejét és külsejét nedves ruhával.
4. Helyezze ezt a terméket stabil és sík felületre. A termék körül elegendő helyet kell fenntartani, hogy a felület és más tárgyak között legalább 10 cm távolság legyen. A levegő be- és kimeneti nyílásába nem szabad tárgyakat helyezni. Ne helyezze a terméket olyan felületre, amely nem hőálló.

## Beállítás és első használat

1. Helyezze a sütőlapot a fiókba, és helyezze rá az ételt. Ezután csúsztassa be a fiókot a fő házba, amíg teljesen le nem záródik.
2. Csatlakoztassa a készüléket, és állítsa be a kívánt időt és hőmérsékletet kézzel a kezelőpanel segítségével, vagy válassza ki a kívánt előre beállított programot.
3. A sütés megkezdéséhez nyomja meg a START/STOP gombot. Az idő és a hőmérséklet beállításával kapcsolatos további információkért olvassa el a "Kezelőszervek és működés" alfejezetet.
4. Szükség szerint rázza fel vagy forgassa meg az ételt a fiókban. Ehhez csúsztassa ki a fiókot, és óvatosan forgassa vagy rázza meg az ételt. Csúsztassa vissza a fiókot a házba, amíg teljesen le nem záródik. A készülék megjegyzi az időt és a beállításokat, és automatikusan folytatja a főzést attól a pillanattól kezdve, amikor megszakadt.

**Megjegyzés:** Az első használat során furcsa szagot érezhet. Ez normális, és nem a termék hibája. Soha ne öntsön olajat vagy zsírt a légszűrőbe.

## A hőpajzs használata

A készülék hőpajzzsal van felszerelve, amely elválasztja az üvegtál forró részeit, és megvédi a felhasználót az égési sérülésektől. A pajzs könnyen eltávolítható az üvegfiók megfelelő mosásához. A véletlen égési sérülések elkerülése érdekében mindig használja a hőpajzst.

## Vezérlés és működés

### Előre definiált programok

Nyomja meg a MENU gombot készenléti üzemmódban a 12 előre beállított program kiválasztásához. A digitális képernyőn a 01-től 12-ig terjedő számok jelennek meg. A program kiválasztása után nyomja meg a START/STOP gombot a sütés megkezdéséhez; a szüneteltetéshez nyomja meg újra ezt a gombot. Ekkor a kijelzőn villog az aktuális menüsorszám, és a ventilátor 10 másodperc múlva leáll. A +/- billentyűkkel állítsa be a hőmérsékletet/időt. Nyomja meg a MENU gombot 2 másodpercig, hogy visszatérjen a beállítható menüsorszámhoz. Nyomja meg és tartsa lenyomva a START/STOP gombot 2 másodpercig munkaállapotban a készenléti állapotba való visszatéréshez.

**Megjegyzés:** A készülék programmemóriával rendelkezik. Az üvegfiók kinyitása szünetelteti a fűtési funkciót, de a fiók újbóli behelyezésekor a készülék a korábbi beállításokkal és a kiválasztott programmal működik tovább.

### Kézi működtetés

A TIME/TEMP gomb megnyomásakor a képernyőn a hőmérséklet villog, jelezve, hogy a hőmérséklet beállítható; a gomb ismételt megnyomásakor a beállított idő villog, jelezve, hogy az idő beállítható. A hőmérséklet beállításakor a +/- billentyűkkel 5 °C-t növelhet vagy csökkenthet, és a +/- billentyűk hosszú megnyomásával gyorsan növelheti vagy csökkentheti az 5 °C-ot. Az idő beállításakor kattintson a +/- billentyűkkel az 1 perc növeléséhez vagy csökkentéséhez, és nyomja meg hosszan a +/- billentyűket az 1 perc gyors növeléséhez vagy csökkentéséhez.

### PRE-SET gomb

Nyomja meg a MENU gombot az előre beállított program kiválasztásához, majd nyomja meg a PRE-SET gombot a késleltetett indítási idő kiválasztásához. A képernyőn az idő villogni fog, a +/- billentyűkkel állítsa be az időt 1h - 18h között. Nyomja meg a START/STOP gombot a visszaszámlálás elindításához. A visszaszámlálás alatt a készülék gombjai zárolva lesznek. A visszaszámlálás leállításához nyomja meg hosszan a START/STOP gombot.

**Megjegyzés:** Az alábbi receptek hőmérsékleti és időbeállításai csak tájékoztató jellegűek. A beállításokat a hőmérséklet és az idő saját maga korrigálásával igazítsa az étel tényleges méretéhez.

## Tisztítás és karbantartás

Tisztítás előtt hagyja a készüléket teljesen kihűlni. Tiszta, nedves ruhával törölje át a készülék külsejét.

Mossa ki a fiókot forró vízzel, mosószerrel és nem súroló szivaccsal. A sütőlap mosogatógépben mosható. A sütőlap tapadámentes kerámia bevonattal rendelkezik; tisztításához ne használjon fémtárgyakat vagy súrolószereket. Ha a ház üregében ételmaradék vagy egyéb szennyeződések vannak, távolítsa el azokat egy nedves, tiszta ruhával, majd tiszta, száraz ruhával törölje szárazra a területet.

**Megjegyzés:** Óvatosan használjon fém evőeszközöket vagy fogókat, és kerülje a tálca felületével való közvetlen érintkezést. A tisztításhoz ne használjon súrolószereket (drótkéfé, súrolószivacsot, fémszerszámokat stb.).

## Hibaelhárítás

A következő problémák nem feltétlenül jelentik azt, hogy a készülék hibás. Kérjük, olvassa el a következő részt, hogy egyszerű megoldásokat találjon a leggyakoribb problémákra.

### 1. probléma

A készülék belsejében lévő lámpa időszakosan be- és kikapcsol.

#### Információk:

A halogén fűtőelemet a termosztát áramkör vezérli, és nem működik folyamatosan. Működés közben a halogén változó időközönként (hőmérsékletfüggő) be- és kikapcsol, ami szándékos és helyes.

### 2. probléma

Az ételek egyenetlenül főttek.

#### Lehetséges ok:

Egyes ételeket főzés közben meg kell forgatni vagy meg kell rázni.

#### Megoldás:

Működésben a készülék működik, húzza ki a fiókot, és rázza fel a tartalmát, vagy forgassa meg az ételt egy villával vagy fogóval.

### 3. probléma

A főzési folyamat során fehér füst jön ki a készülékből.

#### Lehetséges ok:

A készülék fiókjában zsír/olaj gyűlt fel.

#### Megoldás:

Győződjön meg róla, hogy a fiókban nem gyűlt fel zsír vagy olaj. Sütés után minden alkalommal tisztítsa meg a fiókot és a sütőlapot.

### 4. probléma

A fiók nem csúszik a helyére.

#### Lehetséges ok:

A fiók túlságosan tele van.

#### Megoldás:

Ne töltse meg a fiókot a befogadóképességen túl. Az ételek nem érhetnek a fiók teteje fölé.

## Jótállási feltételek

1. A garancia csak a gyártónak tulajdonítható rejtett hibákra terjed ki.
2. A reklamációt az értékesítési pont vagy a műszaki szolgálat kezeli a jótállás keretében, ha az Ügyfél bemutatja:
  - a. érvényes és egyértelmű, megfelelően kitöltött jótállási jegy, az eladó bélyegzőjével és aláírásával ellátva,
  - b. érvényes vásárlási bizonylat az eladás dátumával,
  - c. a bejelentett termék vagy hibás alkatrész. Távvásárlás esetén a jótállási kártya kizárólag a vásárlás igazolásával (nyugta/számla) együtt érvényes.
3. A reklamáció az Ügyfél bejelentésétől számított 14 napon belül rendeződik.
4. A jótállási időszak alatt megállapított gyártási hibákat a terméknek az értékesítési pontra vagy a műszaki szolgálathoz történő szállítását követő 21 napon belül díjmentesen meg kell javítani.
5. Ha a javításhoz alkatrészek behozatalára van szükség, a garanciális javítási időszak meghosszabbítható az alkatrész behozatalához szükséges idővel, de legfeljebb 40 nappal.
6. Garanciális kizárások:
  - a. mechanikai sérülések és kapcsolódó hibák,
  - b. a helytelen használatból és a nem megfelelő tárolásból, összeszerelésből és karbantartásból eredő károk és hibák,
  - c. az ilyen fogyóelemek sérülése és kopása,
  - d. az összeszereléssel vagy karbantartással kapcsolatos tevékenységek, amelyek a kézikönyvvel összhangban a felhasználó kötelességei.
7. A garancia nem érvényes, ha:
  - a. lejárt az érvényességi ideje,

- b. az Ügyfél nem eredeti alkatrészek felhasználásával javította vagy módosította a terméket,
  - c. a hiba helytelen telepítésből vagy a kézikönyvben szereplő helyes üzemeltetési szabályok be nem tartásából adódott,
  - d. a terméket nem háztartási célra használják,
  - e. a szállítás során keletkezett károk.
8. A jótállási jegyről nem állítanak ki másolatot.
9. Az ügyfél jogosult a következő ingyenes kártérítésre:
- a. termékjavítás,
  - b. termékcseré,
  - c. csökkentett áron,
  - d. a szerződés felmondása és a teljes költségtérítés.
10. Követelés bejelentése:
- a. Mutassa be a terméket vagy annak bejelentett részét.
  - b. Mutassa be a vásárlást igazoló bizonylatot, amelyen szerepel az eladó neve és címe, a vásárlás dátuma és helye, a termék típusa, vagy az eladási hely pecsétjével ellátott érvényes jótállási jegy.
  - c. Ha a terméket szennyezetten szállítják, a műszaki szolgálat megtagadhatja annak átvételét, vagy a megrendelő költségére, annak írásbeli jóváhagyását követően megtisztíthatja azt.
11. Ha a reklamációt elfogadják, a készüléket megjavítják vagy kicserélik egy új készülékre, vagy visszatérítik az Ügyfélnek az árát. A szállítási költségek a gyártó szervizétől fedezik a szervizelést.
12. Ha a kérelmet elutasítják, az Ügyfél részletes indoklást kap a döntésről, és a készüléket a döntést követő 14 napon belül saját költségén elküldik neki.

## Felhasználás

Az elektromos és elektronikus berendezésekből származó hulladékok kezelése (WEEE-jogszabályok).

A csomagoláson, a tartozékokon vagy a használati utasításon található jelölés azt jelzi, hogy az elhasználtott készüléket és a hozzá tartozó elektronikus tartozékokat nem szabad a kommunális hulladékgyűjtő edényekbe helyezni más háztartási hulladékkal együtt. Az elektronikai hulladék nem megfelelő kezelése a környezetbe kerülő szennyező anyagok vagy a nem megfelelő ártalmatlanítás miatt egészségügyi kockázatokkal járhat. Válassza szét ezt a hulladékot a többi hulladéktól, és dolgozza fel újra, hogy a nyersanyagok újra felhasználhatók legyenek. Az újrahasznosításhoz lehetővé teszik a nyersanyagok újrafelhasználását.

## Istruzioni e avvisi di sicurezza

Leggere attentamente il presente manuale per comprendere meglio l'utilizzo del prodotto. Durante l'uso è necessario osservare alcuni consigli di sicurezza essenziali, tra cui i seguenti.

- L'apparecchio cuoce i cibi utilizzando l'aria calda, senza l'impiego di olio. Non versare mai olio nell'apparecchio. Ciò potrebbe causare incendi, lesioni personali, danni all'apparecchio e invalidare la garanzia.
- Si consiglia di collegare il dispositivo alla rete elettrica senza utilizzare prolunghe. Il cavo di alimentazione corto è stato progettato specificamente come misura di sicurezza per ridurre il rischio che i bambini afferrino o giochino con il cavo e per proteggere l'utente dall'inciampare in un cavo di alimentazione lungo.
- Questo dispositivo è destinato esclusivamente all'uso in ambienti interni. Non utilizzare mai il dispositivo all'aperto.
- Il dispositivo si riscalda durante il funzionamento. Prestare attenzione quando si maneggiano il dispositivo e gli accessori per evitare ustioni o lesioni.
- Prima dell'uso, accertarsi che il dispositivo sia posizionato su una superficie piana, pulita e asciutta.
- Posizionare il dispositivo al di fuori della portata dei bambini o di chiunque abbia capacità fisiche, sensoriali o mentali tali da impedirne l'uso sicuro.
- Per eliminare il rischio di soffocamento da parte dei bambini piccoli, rimuovere e gettare le pellicole protettive e le confezioni di plastica degli accessori dal dispositivo.
- Non collocare l'unità vicino a bruciatori a gas, in ceramica, a induzione o elettrici caldi. Ciò può causare lesioni personali, danni all'apparecchio e invalidare la garanzia.
- Per evitare scosse elettriche, non immergere mai il cavo di alimentazione del dispositivo in acqua o altri liquidi. Non sciacquare l'involucro del dispositivo con acqua o altri liquidi. Ciò potrebbe causare lesioni personali, danni al dispositivo e l'annullamento della garanzia.
- Prestare la massima attenzione quando si maneggiano alimenti e superfici calde.
- Non spostare il dispositivo mentre è acceso e in funzione. Ciò potrebbe causare lesioni personali, danni al dispositivo e l'annullamento della garanzia.
- La piastra di frittura, il ripiano in acciaio e gli spiedini possono essere molto caldi durante e dopo la frittura. Utilizzare guanti da forno per evitare scottature.
- Controllare regolarmente il dispositivo, il cavo di alimentazione e la spina. Non utilizzare il dispositivo se il cavo di alimentazione o la spina sono danneggiati. In caso di malfunzionamento o danneggiamento del dispositivo, contattare il Centro di assistenza clienti 4Swiss.
- L'apparecchio è destinato esclusivamente all'uso domestico. Non utilizzare mai il dispositivo come apparecchiatura professionale per la ristorazione o per scopi diversi da quelli previsti. Ciò potrebbe danneggiare l'apparecchio e invalidare la garanzia.
- Non utilizzare detergenti abrasivi, lana d'acciaio o spatole per pulire il dispositivo. Per ulteriori informazioni, consultare la sezione "Pulizia e manutenzione".
- Per evitare lesioni, non tirare il cavo oltre il bordo del piano di lavoro.
- Non coprire le prese d'aria sul retro dell'apparecchio quando è in funzione. Ciò potrebbe causare una cottura non uniforme e danni all'apparecchio.
- Non collegare il dispositivo a un timer esterno o a un sistema di controllo remoto separato.
- Lasciare almeno 10 cm di spazio libero intorno al dispositivo per consentire una corretta circolazione dell'aria.
- Non utilizzare il dispositivo o i suoi accessori in un forno a microonde, in un tostapane, in un forno a convezione, in un forno a gas, in un forno elettrico o su un piano di cottura o grill in ceramica, elettrico, a gas o a induzione. Ciò potrebbe causare lesioni personali, danni al dispositivo e invalidare la garanzia.
- Assicurarsi che il dispositivo sia pulito prima dell'uso. Tenere il cavo di alimentazione lontano da superfici calde.
- Il dispositivo è dotato di una spina a 3 fili con messa a terra. Collegare sempre il cavo di alimentazione a una presa elettrica con messa a terra.
- Scollegare il dispositivo e lasciarlo raffreddare prima di pulirlo o conservarlo.
- Non riscaldare lattine di cibo sigillate nell'unità. Ciò potrebbe causare lesioni personali, danni all'apparecchio e invalidare la garanzia.
- Non inserire nell'apparecchio alimenti in contenitori non adatti alle alte temperature, come sacchetti di plastica, contenitori di polistirolo, imballaggi di plastica e carta. È consentito l'uso di sacchetti speciali e di maniccotti da forno, che però devono essere utilizzati con particolare cautela. Tenere presente che il maniccotto di cottura aumenta di volume durante la cottura ed è assolutamente necessario assicurarsi che il maniccotto non tocchi il riscaldatore alogeno e il suo coperchio.
- Utilizzare il dispositivo solo con accessori del marchio 4Swiss. L'utilizzo di accessori di terze parti può danneggiare il dispositivo e invalidare la garanzia.
- Non collocare il dispositivo su o vicino a superfici/materiali infiammabili come cuscini, tovaglie o tende. Ciò potrebbe causare lesioni personali, danni al dispositivo e invalidare la garanzia.
- L'aria calda fuoriesce dall'uscita dell'aria quando l'unità è in funzione. Per evitare lesioni, tenere sempre le mani e il viso lontano dalle bocchette e dalle uscite dell'aria.
- Per evitare lesioni, fare attenzione quando si apre il cassetto del dispositivo.
- Se dal dispositivo inizia a uscire del fumo, staccare immediatamente la spina e disperdere il fumo prima di aprire il cassetto.

- Assicurarsi che il cibo non sporga dai lati del cassetto dell'apparecchio. Il riempimento del cassetto oltre la sua capacità può causare lesioni personali, danni all'apparecchio e invalidare la garanzia.
- Non riempire mai il dispositivo con olio. Ciò potrebbe causare lesioni personali, danni al dispositivo e l'annullamento della garanzia.

## Funzioni del prodotto

La friggitrice ad aria 4Swiss ABB-G24 fa circolare aria ultra-calda intorno al cibo, eliminando la necessità di utilizzare l'olio che normalmente si usa. L'intenso afflusso di aria calda garantisce pasti più salutari, offrendo al contempo un ottimo sapore di cibo che diventa deliziosamente croccante all'esterno e perfettamente cotto all'interno. Patatine fritte, verdure, pollo, pesce, bistecche e molto altro saranno a portata di mano. Inoltre, il dispositivo è di facile manutenzione, rapido da pulire e privo dei tipici residui di grasso.

L'apparecchio è dotato di un elemento riscaldante alogeno unico ed estremamente efficace che riscalda e illumina gli alimenti all'interno del cassetto di cottura durante il funzionamento. L'alogeno è controllato dal circuito termostatico e non funziona in modo continuo. Pertanto, l'effetto di illuminazione visiva può essere osservato solo durante il ciclo di riscaldamento dell'alogeno. Durante il funzionamento, l'alogeno si accende e si spegne a intervalli variabili (in funzione della temperatura), il che è intenzionale e rappresenta la modalità corretta di funzionamento dell'apparecchio.

Poiché la sicurezza e la soddisfazione dell'utente sono la nostra massima priorità, il dispositivo è costruito secondo i più alti standard di sicurezza e funzionalità.

## Parametri tecnici

Nome prodotto: Friggitrice intelligente

Modello del prodotto: ABB-G24

Capacità del cassetto: 3L

Tensione nominale: 220V

Frequenza nominale: 50Hz

Potenza nominale: 1200W

## Descrizione dell'unità principale

Illustrazione n. 1

1. Scudo termico
2. Piastra di frittura
3. Maniglia del cassetto
4. Corpo cassetto in vetro
5. Pannello a sfioramento
6. Ingresso aria
7. Uscita aria calda
8. Cavo di alimentazione

## Descrizione del pannello di controllo

Illustrazione n. 2

1. Ali - 180°C - 15 min
2. Bacchetta - 180°C - 25 min
3. Spareribs - 180°C - 20 min.
4. Bistecca - 180°C - 12 min
5. Gamberi - 170°C - 10 min
6. Pesce - 180°C - 15 min
7. Patatine - 180°C - 18 min
8. Torta - 160°C - 20 min
9. Ignami - 180°C - 35 min
10. Crostatine all'uovo - 160°C - 12 min
11. Castagna - 180°C - 20 min
12. Scongelo - 80°C - 25 min
13. Tasto (-)
14. Display digitale
15. Indicatore di temperatura
16. Indicatore di tempo



17. Tasto (+)
18. Tasto PRE-SET
19. Tasto TIME/TEMP
20. Tasto MENU
21. Tasto START/CANCEL

## Preparazione all'uso

1. Rimuovere tutti i materiali di imballaggio.
2. Pulire la griglia e il cassetto in vetro con acqua calda, detergente e una spugna non abrasiva. I componenti in vetro non possono essere puliti in lavastoviglie.
3. Pulire l'interno e l'esterno del prodotto con un panno umido.
4. Collocare il prodotto su una superficie stabile e piana. Intorno al prodotto deve essere riservato uno spazio sufficiente per garantire una distanza di almeno 10 cm dalla superficie ad altri oggetti. Non collocare oggetti all'ingresso o all'uscita dell'aria. Non collocare il prodotto su una superficie non resistente al calore.

## Configurazione e primo utilizzo

1. Collocare la piastra di cottura nel cassetto e posizionarvi il cibo. Quindi far scorrere il cassetto nell'alloggiamento principale fino a chiuderlo completamente.
2. Collegare l'apparecchio e impostare manualmente l'ora e la temperatura desiderate tramite il pannello di controllo o selezionare il programma predefinito desiderato.
3. Premere il tasto START/STOP per avviare la cottura. Per ulteriori informazioni sull'impostazione dell'ora e della temperatura, consultare la sezione "Comandi e funzionamento".
4. Se necessario, scuotere o girare gli alimenti nel cassetto. A tale scopo, estrarre il cassetto e girare o scuotere con cautela gli alimenti. Far scorrere il cassetto nell'alloggiamento fino a chiuderlo completamente. L'apparecchio ricorderà l'ora e le impostazioni e continuerà automaticamente dal momento in cui la cottura è stata interrotta.

**Nota:** al primo utilizzo è possibile che si senta un odore particolare. Questo è normale e non è un difetto del prodotto. Non versare mai olio o grasso nella friggitrice ad aria.

## Utilizzo dello scudo termico

L'apparecchio è dotato di uno scudo termico che separa le parti calde della bacinella di vetro e protegge l'utente dalle scottature. Lo scudo è facile da rimuovere per lavare correttamente il cassetto di vetro. Utilizzare sempre lo scudo termico per evitare il rischio di ustioni accidentali.

## Controlli e funzionamento

### Programmi predefiniti

Premere il tasto MENU in modalità standby per selezionare 12 programmi predefiniti. Sullo schermo digitale appariranno i numeri da 01 a 12. Dopo aver scelto il programma, premere il tasto START/STOP per avviare la cottura; premere nuovamente questo tasto per mettere in pausa. A questo punto, sul display lampeggia il numero del menu corrente e la ventola smette di funzionare dopo 10 secondi. Utilizzare i tasti +/- per impostare la temperatura/il tempo. Premere il tasto MENU per 2 secondi per tornare al numero di menu impostabile. Tenere premuto il tasto START/STOP per 2 secondi nello stato di lavoro per tornare allo stato di standby.

**Nota:** l'apparecchio dispone di una memoria di programma. L'apertura del cassetto di vetro mette in pausa la funzione di riscaldamento, ma quando il cassetto viene reinserito, l'apparecchio continua a funzionare con le impostazioni precedenti e il programma selezionato.

### Funzionamento manuale

Quando si preme il tasto TIME/TEMP, la temperatura sullo schermo lampeggia, indicando che è possibile impostare la temperatura; quando si preme nuovamente il tasto, l'ora impostata lampeggia, indicando che è possibile impostare l'ora. Quando si imposta la temperatura, fare clic sui tasti +/- per aumentare o diminuire di 5°C e premere a lungo i tasti +/- per aumentare o diminuire rapidamente di 5°C. Per impostare l'ora, fare clic sui tasti +/- per aumentare o diminuire di 1 minuto e premere a lungo i tasti +/- per aumentare o diminuire rapidamente di 1 minuto.

### Tasto PRE-SET

Premere il tasto MENU per selezionare il programma predefinito, quindi premere il tasto PRE-SET per selezionare l'ora di avvio ritardato. L'ora sullo schermo lampeggia; utilizzare i tasti +/- per impostare l'ora tra 1h e 18h. Premere il tasto START/STOP per avviare il conto alla rovescia. Durante il conto alla rovescia, i pulsanti dell'unità saranno bloccati. Per interrompere il conto alla rovescia, premere a lungo il tasto START/STOP.

**Nota:** le impostazioni di temperatura e tempo delle seguenti ricette sono solo di riferimento. Regolare le impostazioni in base alle dimensioni effettive della pietanza, correggendo personalmente la temperatura e il tempo.

## Pulizia e manutenzione

Lasciare raffreddare completamente il dispositivo prima di pulirlo. Utilizzare un panno pulito e umido per pulire l'esterno del dispositivo.

Lavare il cassetto con acqua calda, detersivo e una spugna non abrasiva. La piastra di cottura è lavabile in lavastoviglie. La piastra di cottura ha un rivestimento antiaderente in ceramica; per pulirla non utilizzare oggetti metallici o detersivi abrasivi. Se nella cavità dell'alloggiamento sono presenti residui di cibo o altri detriti, rimuoverli con un panno umido e pulito, quindi asciugare l'area con un panno pulito e asciutto.

**Nota:** utilizzare con cautela posate o pinze di metallo, evitando il contatto diretto con la superficie del vassoio. Per la pulizia non utilizzare detersivi abrasivi (spazzole metalliche, spugne abrasive, utensili metallici, ecc).

## Risoluzione dei problemi

I seguenti problemi non significano necessariamente che il dispositivo sia difettoso. Leggete la sezione seguente per conoscere le soluzioni semplici ai problemi più comuni.

### Problema 1

La luce all'interno dell'unità si accende e si spegne periodicamente.

#### Informazioni:

L'elemento riscaldante alogeno è controllato dal circuito del termostato e non funziona in modo continuo. Durante il funzionamento, l'alogeno si accende e si spegne a intervalli variabili (in funzione della temperatura), il che è intenzionale e corretto.

### Problema 2

Il cibo è cucinato in modo non uniforme.

#### Possibile causa:

Alcuni alimenti devono essere girati o scossi durante la cottura.

#### Soluzione:

Mentre l'apparecchio è in funzione, estrarre il cassetto e scuotere il contenuto o girare gli alimenti con una forchetta o una pinza.

### Problema 3

Durante il processo di cottura, dall'apparecchio esce del fumo bianco.

#### Possibile causa:

Nel cassetto del dispositivo si è accumulato grasso/olio.

#### Soluzione:

Assicurarsi che nel cassetto non si sia accumulato grasso o olio. Pulire il cassetto e la piastra della friggitrice ogni volta dopo la cottura.

### Problema 4

Il cassetto non scorre in posizione.

#### Possibile causa:

Il cassetto è troppo pieno.

#### Soluzione:

Non riempire il cassetto oltre la sua capacità. Gli alimenti non devono superare la parte superiore del cassetto.

## Termini e condizioni della garanzia

1. La garanzia copre solo i difetti latenti attribuibili al produttore.
2. Il reclamo sarà trattato dal punto vendita o dal servizio tecnico in garanzia se il Cliente produce:
  - a. una scheda di garanzia valida e chiara, compilata correttamente con timbro di vendita e firma del venditore,
  - b. una prova d'acquisto valida con la data di vendita,
  - c. il prodotto o il pezzo difettoso segnalato. In caso di acquisto a distanza, il certificato di garanzia è valido solo con la prova d'acquisto (scontrino/fattura).
3. Il reclamo viene risolto entro 14 giorni dalla segnalazione da parte del Cliente.
4. I difetti di fabbricazione individuati nel periodo di garanzia saranno riparati gratuitamente entro 21 giorni dalla consegna del prodotto al punto vendita o all'assistenza tecnica.
5. Se è necessario importare parti per la riparazione, il periodo di riparazione in garanzia può essere prolungato del tempo necessario per importare la parte, non più di 40 giorni.
6. Esclusioni dalla garanzia:
  - a. danni meccanici e difetti correlati,

- b. danni e difetti derivanti da un uso improprio e da un immagazzinamento, un montaggio e una manutenzione inadeguati,
  - c. danni e usura di tali elementi consumabili,
  - d. attività relative al montaggio o alla manutenzione che sono obbligo dell'utente in conformità al manuale.
- 7. La garanzia non si applica quando:
  - a. è scaduto il periodo di validità,
  - b. il Cliente ha riparato o modificato il prodotto utilizzando parti non originali,
  - c. il difetto è dovuto a un'installazione non corretta o alla mancata osservanza delle regole di corretto funzionamento indicate nel manuale,
  - d. il prodotto viene utilizzato per scopi diversi dall'uso domestico,
  - e. danni verificatisi durante il trasporto.
- 8. Non vengono rilasciati duplicati del certificato di garanzia.
- 9. Il cliente ha diritto al seguente risarcimento gratuito:
  - a. riparazione del prodotto,
  - b. sostituzione del prodotto,
  - c. prezzo ridotto,
  - d. risoluzione di un contratto e compensazione integrale dei costi.
- 10. Per segnalare una richiesta di risarcimento:
  - a. Presentare il prodotto o la sua parte segnalata.
  - b. Presentare la prova d'acquisto con il nome e l'indirizzo del venditore, la data e il luogo di acquisto, il tipo di prodotto o il certificato di garanzia valido con il timbro del punto vendita.
  - c. Se il prodotto viene consegnato sporco, il servizio tecnico può rifiutarsi di accettarlo o pulirlo a spese del Cliente previa approvazione scritta.
- 11. Se il reclamo viene accettato, il dispositivo viene riparato o sostituito con uno nuovo, oppure il Cliente viene rimborsato. Le spese di trasporto dal servizio di assistenza del produttore coprono il servizio.
- 12. Se il reclamo viene respinto, al Cliente viene fornita una motivazione dettagliata della decisione e l'apparecchiatura gli viene inviata a sue spese entro 14 giorni dalla comunicazione della decisione.

## **Utilizzo**

Gestione dei rifiuti di apparecchiature elettriche ed elettroniche a fine vita (legislazione RAEE).

La marcatura sull'imballaggio, sugli accessori o sul manuale di istruzioni indica che le apparecchiature a fine vita e gli accessori elettronici collegati non devono essere collocati nei contenitori dei rifiuti urbani insieme ad altri rifiuti domestici.

La gestione impropria dei rifiuti elettronici può comportare l'immissione di sostanze contaminanti nell'ambiente o rischi per la salute dovuti a uno smaltimento non corretto. Separare questi rifiuti dagli altri e riciclarli in modo che le materie prime possano essere riutilizzate. Il riciclaggio consente il riutilizzo delle materie prime.

## Saugos instrukcijos ir pranešimas

Atidžiai perskaitykite šį vadovą, kad geriau suprastumėte, kaip naudoti gaminį. Naudojant gaminį reikia laikytis kai kurių svarbiausių saugos patarimų, įskaitant toliau nurodytus.

- Prietaisas gamina maistą naudodamas karštą orą, nenaudodamas aliejaus. Niekada nepilkite aliejaus į prietaisą. Taip elgdami galite sukelti gaisrą, susižaloti, sugadinti prietaisą ir panaikinti garantiją.
- Rekomenduojame prijungti prietaisą prie elektros tinklo nenaudojant ilgutuvų. Trumpas maitinimo laidas specialiai sukurtas kaip saugos priemonė, kad sumažėtų rizika, jog vaikai griebis ar žais su laidu, ir kad naudotojas būtų apsaugotas nuo užkliuvimo už ilgo maitinimo laido.
- Šis prietaisas skirtas naudoti tik patalpose. Niekada nenaudokite prietaiso lauke.
- Veikiant prietaisas įkaista. Dirbdami su prietaisu ir priedais būkite atsargūs, kad išvengtumėte nudegimų ar sužalojimų.
- Prieš naudodami įsitikinkite, kad prietaisas padėtas ant lygaus, švaraus ir sauso paviršiaus.
- Prietaisą padėkite vaikams ar asmenims, kurių fiziniai, jutiminiai ar protiniai gebėjimai gali trukdyti saugiai juo naudotis, nepasiekiamoje vietoje.
- Kad mažiems vaikams nekiltų užspringimo pavojus, nuimkite ir išmeskite apsaugines plėveles ir plastikines priedų pakuotes nuo prietaiso.
- Nestatykite įrenginio šalia karštų dujinių, keraminių, indukcinų ar elektrinių degiklių. Taip elgdami galite susižeisti, sugadinti prietaisą ir netekti garantijos.
- Kad išvengtumėte elektros smūgio, niekada nemerkite prietaiso maitinimo laido į vandenį ar kitą skystį. Neplaukite prietaiso korpuso vandeniu ar kitu skystčiu. Taip elgdami galite susižeisti, sugadinti prietaisą ir panaikinti garantiją.
- Dirbdami su karštu maistu ir karštais paviršiais būkite itin atsargūs.
- Įjungto ir veikiančio prietaiso nejudinkite. Taip elgdami galite susižeisti, sugadinti prietaisą ir panaikinti garantiją.
- Kepimo pokštė, plieninis stovas ir iešmai gali būti labai karšti kepmo metu ir po kepmo. Kad išvengtumėte nudegimų, mūvėkite pirštines.
- Reguliariai tikrinkite prietaisą, jo maitinimo laidą ir kištuką. Nenaudokite prietaiso, jei maitinimo laidas arba kištukas yra pažeistas. Jei prietaisas veikia netinkamai arba yra kaip nors pažeistas, kreipkitės į "4Swiss" klientų aptarnavimo centrą.
- Prietaisas skirtas naudoti tik namuose. Niekada nenaudokite prietaiso kaip profesionalios viešojo maitinimo įrangos arba kitiems tikslams, nei numatyta. Taip elgdami galite sugadinti prietaisą ir panaikinti garantiją.
- Prietaiso valymui nenaudokite abrazyvinių valiklių, plieninės vatos ar šveitiklių. Daugiau informacijos rasite skyriuje "Valymas ir priežiūra".
- Kad išvengtumėte sužalojimų, netraukite laido per stalviršio kraštą.
- Kai prietaisas veikia, neuždenkite jo galinėje dalyje esančių oro įleidimo ir (arba) išleidimo angų. Tai gali sukelti netolygų maisto ruošimą ir sugadinti prietaisą.
- Prietaiso neprijunkite prie išorinio laikmačio arba atskiros nuotolinio valdymo sistemos.
- Aplink prietaisą palikite ne mažiau kaip 10 cm laisvos erdvės, kad tinkamai cirkuluotų oras.
- Nenaudokite prietaiso ar jo priedų mikrobangų krosnelėje, skrudintuvėje, konvekcijoje, dujinėje, elektrinėje orkaitėje arba ant keraminių, elektrinės, dujinės ar indukcinės kaitlentės ar grilio. Taip elgdami galite susižeisti, sugadinti prietaisą ir panaikinti garantiją.
- Prieš naudodami įsitikinkite, kad prietaisas yra švarus. Laikykite maitinimo laidą atokiau nuo karštų paviršių.
- Prietaisas turi 3 laidų įžemintą kištuką. Visada įjunkite maitinimo laidą į įžemintą elektros lizdą.
- Prieš valydami ar laikydami atjunkite prietaisą ir leiskite jam atvėsti.
- Įrenginyje nešildykite sandariai uždarytų maisto skardinių. Taip elgdami galite susižeisti, sugadinti prietaisą ir panaikinti garantiją.
- Nedėkite į prietaisą maisto produktų, supiltų į aukštai temperatūrai netinkamus indus, pavyzdžiui, plastikinius maišelius, polistireninius indus, plastikines ir popierines pakuotes. Leidžiama naudoti specialius maišelius ir kepmo rankoves, tačiau juos reikia naudoti ypač atsargiai. Atminkite, kad kepmo rankovė kepmo metu padidėja, todėl būtina užtikrinti, kad rankovė neliestų halogeninio šildytuvo ir jo dangčio.
- Prietaisą naudokite tik su "4Swiss" prekės ženklų priedais. Naudojant trečiųjų šalių priedus, prietaisas gali būti sugadintas ir gali būti panaikinta garantija.
- Nestatykite prietaiso ant degių paviršių ir (arba) medžiagų, tokių kaip pagalvės, staltiesės ar užuolaidos, arba šalia jų. Taip elgdami galite susižeisti, sugadinti prietaisą ir panaikinti garantiją.
- Kai įrenginys naudojamas, karštas oras išeina pro oro išleidimo angą. Kad išvengtumėte sužalojimų, visada laikykite rankas ir veidą atokiau nuo ventiliacijos angų ir oro išleidimo angų.
- Kad išvengtumėte sužalojimų, atidarydami prietaiso stalčių eikite atsargiai.
- Jei iš prietaiso pradeda rūkti dūmai, nedelsdami atjunkite jį nuo elektros tinklo ir išsklaidykite dūmus prieš atidarydami stalčių.
- Įsitikinkite, kad maistas neišikiša per prietaiso stalčių šonus. Užpildžius stalčių daugiau, nei jo talpa, galima susižaloti, sugadinti prietaisą ir panaikinti garantiją.
- Niekada nepilkite į prietaisą alyvos. Taip elgdami galite susižeisti, sugadinti prietaisą ir panaikinti garantiją.

## Produkto funkcijos

"4Swiss ABB-G24" oro keptuvėje aplink maistą cirkuliuoja itin karštas oras, todėl nereikia naudoti įprastai naudojamo aliejaus. Intensyvus karšto oro pritekėjimas užtikrina sveikesnį maistą ir puikų maisto skonį, kuris tampa gardžiai traškus išorėje ir puikiai iškepęs viduje. Traškios bulvytės, daržovės, vištiena, žuvis, kepsniai ir kt. bus vos ranka pasiekiami, be to, prietaisą lengva prižiūrėti, greitai valyti, be tipiškos riebios netvarkos.

Prietaise įrengtas unikalus, itin veiksmingas halogeninis kaitinimo elementas, kuris ir šildo, ir apšviečia maistą kepimo stalčiuje. Halogeną valdo termostato grandinė ir jis neveikia nuolat. Taigi vizualinį apšvietimo efektą galima stebėti tik halogeninio kaitinimo ciklo metu. Veikimo metu halogenas įsijungia ir išsijungia skirtingais intervalais (priklausomai nuo temperatūros), tai yra tyčinis ir teisingas prietaiso veikimo režimas.

Kadangi sauga ir naudotojų pasitenkinimas yra mūsų prioritetas, prietaisas sukurtas laikantis aukščiausių saugumo ir funkcionalumo standartų.

## Techniniai parametrai

Produkto pavadinimas: Išmanioji oro džiovintuvas

Produkto modelis: ABB-G24

Stalčiaus talpa: 3 l

Nominali įtampa: 220 V

Nominalusis dažnis: 50 Hz

Nominali galia: 1200 W

## Pagrindinio įrenginio aprašymas

Iliustracija Nr. 1

1. Šiluminis skystas
2. Kepimo plokštė
3. Stalčiaus rankena
4. Stiklinis stalčiaus korpusas
5. Jutiklinis skydelis
6. Oro įleidimo anga
7. Karšto oro išleidimo anga
8. Maitinimo laidas

## Valdymo skydelio aprašymas

Iliustracija Nr. 2

1. Sparneliai - 180 °C - 15 min.
2. Būgnelio kotletas - 180 °C - 25 min.
3. Šonkauliukai - 180 °C - 20 min.
4. Kepsnys - 180 °C - 12 min.
5. Krevetės - 170 °C - 10 min.
6. Žuvis - 180 °C - 15 min.
7. Traškučiai - 180°C - 18 min.
8. Pyragas - 160°C - 20 min.
9. Batatai - 180 °C - 35 min.
10. Kiaušinių pyragaičiai - 160 °C - 12 min.
11. Kaštonai - 180 °C - 20 min.
12. Atšildymas - 80 °C - 25 min.
13. (-) klavišas
14. Skaitmeninis ekranas
15. Temperatūros indikatorius
16. Laiko rodiklis
17. (+) klavišas
18. PRE-SET klavišas
19. TIME/TEMP klavišas
20. MENU klavišas
21. START/CANCEL klavišas

## Paruošimas naudoti

1. Pašalinkite visas pakavimo medžiagas.
2. Grotelę ir stiklinį stalčių valykite karštu vandeniu, plovikliu ir neabrazyvine kempine. Stiklinių komponentų negalima plauti indaplovėje.
3. Nuvalykite gaminio vidų ir išorę drėgna šluoste.
4. Padėkite šį gaminį ant stabilaus ir lygaus paviršiaus. Aplink gaminį turi būti pakankamai vietos, kad nuo jo paviršiaus iki kitų objektų būtų bent 10 cm atstumas. Į oro leidimo ar išleidimo angą negalima dėti jokių daiktų. Nestatykite gaminio ant karščiui neatsparaus paviršiaus.

## Sąranka ir pirmasis naudojimas

1. Į stalčių įdėkite kepimo lėkštę ir sudėkite ant jos maistą. Tada stalčių įstumkite į pagrindinį korpusą, kol jis visiškai užsidarys.
2. Prijunkite prietaisą prie elektros tinklo ir valdymo pulte rankiniu būdu nustatykite norimą laiką ir temperatūrą arba pasirinkite norimą iš anksto nustatytą programą.
3. Paspauskite START/STOP mygtuką, kad pradėtumėte kepti. Daugiau informacijos apie laiko ir temperatūros nustatymą rasite poskyryje "Valdikliai ir valdymas".
4. Prireikus pakratykite arba apverskite stalčiuje esančius maisto produktus. Norėdami tai padaryti, ištraukite stalčių ir atsargiai pasukite arba pakratykite maistą. Stumkite stalčių atgal į korpusą, kol jis bus visiškai uždarytas. Prietaisas įsimins laiką ir nustatymus ir automatiškai tęs darbą nuo to momento, kai buvo nutrauktas maisto gaminimas.

**Pastaba:** Pirmą kartą naudodami galite pajusti specifinį kvapą. Tai normalu ir nėra gaminio defektas. Niekada nepilkite į oro džiovintuvą aliejus ar riebalų.

## Terminio skydo naudojimas

Prietaise yra šiluminis skydas, kuris atskiria karštas stiklinio dubens dalis ir apsaugo naudotoją nuo nudegimų. Skydą lengva nuimti, kad būtų galima tinkamai išplauti stiklinį stalčių. Kad išvengtumėte atsitiktinių nudegimų pavojaus, visada naudokite terminį skydą.

## Valdymas ir veikimas

### Iš anksto nustatytos programos

Paspauskite MENU klavišą budėjimo režime, kad pasirinktumėte 12 iš anksto nustatytų programų. Skaitmeniniame ekrane bus rodomi skaičiai nuo 01 iki 12. Pasirinkę programą, paspauskite START/STOP mygtuką, kad pradėtumėte kepti; dar kartą paspauskite šį mygtuką, kad pristabdytumėte kepimą. Tuo metu ekrane mirksi esamo meniu numeris, o po 10 sekundžių ventiliatorius nustoja veikti. Temperatūrai / laikui nustatyti naudokite +/- mygtukus. Norėdami grįžti į nustatomą meniu numerį, 2 sekundes spauskite MENU mygtuką. Paspauskite ir 2 sekundes palaikykite START/STOP mygtuką darbo būsenoje, kad grįžtumėte į budėjimo būseną.

**Pastaba:** prietaisas turi programos atmintį. Atidarius stiklinį stalčių, šildymo funkcija pristabdoma, tačiau vėl įdėjus stalčių, prietaisas toliau veikia pagal ankstesnius nustatymus ir pasirinktą programą.

### Rankinis valdymas

Paspaudus TIME/TEMP klavišą, ekrane mirksi temperatūra, rodanti, kad temperatūrą galima nustatyti; paspaudus klavišą dar kartą, mirksi nustatytas laikas, rodantis, kad laiką galima nustatyti. Nustatydami temperatūrą, spustelėkite +/- klavišus, kad padidintumėte arba sumažintumėte 5 °C, ir ilgai spauskite +/- klavišus, kad greitai padidintumėte arba sumažintumėte 5 °C. Nustatydami laiką, spustelėkite +/- klavišus, kad padidintumėte arba sumažintumėte 1 minutę, ir ilgai spauskite +/- klavišus, kad greitai padidintumėte arba sumažintumėte 1 minutę.

### PRE-SET klavišas

Paspauskite MENU klavišą, kad pasirinktumėte iš anksto nustatytą programą, tada paspauskite PRE-SET klavišą, kad pasirinktumėte atidėto paleidimo laiką. Ekrane mirksės laikas, naudojami +/- mygtukus nustatykite laiką nuo 1 val. iki 18 val. Paspauskite START/STOP klavišą, kad pradėtumėte atgalinį skaičiavimą. Atgalinio skaičiavimo metu įrenginio mygtukai bus užblokuoti. Norėdami sustabdyti atgalinį skaičiavimą, ilgai spauskite START/STOP mygtuką.

**Pastaba:** toliau pateiktų receptų temperatūros ir laiko nustatymai yra tik orientaciniai. Temperatūros ir laiko nustatymus koreguokite patys, kad atitiktų tikrąjį patiekalo dydį.

## Valymas ir priežiūra

Prieš valydami leiskite prietaisui visiškai atvėsti. Švaria drėgna šluoste nuvalykite prietaiso išorę.

Stalčių plaukute karštu vandeniu, plovikliu ir neabrazyvine kempine. Kepimo plokštę galima plauti indaplovėje. Kepimo lėkštė padengta nelimpančia keramine danga; nenaudokite metalinių daiktų ar abrazyvinių valiklių jai valyti. Jei korpuso ertmėje yra maisto likučių ar kitų šiukšlių, pašalinkite jas drėgna, švaria šluoste ir tada nusauskite tą vietą švaria, sausa šluoste.

**Pastaba:** atsargiai naudokite metalinius stalo įrankius arba žnyples, venkite tiesioginio sąlyčio su padėklo paviršiumi. Valymui nenaudokite abrazyvinių valiklių (vielinio šepetčio, abrazyvinių kempinių, metalinių įrankių ir pan.).

## Trikčių šalinimas

Toliau išvardytos problemos nebūtinai reiškia, kad prietaisas yra sugedęs. Perskaitykite šį skyrį, kad sužinotumėte paprastus dažniausiai pasitaikančių problemų sprendimus.

### 1 problema

Įrenginio viduje esanti lemputė periodiškai įsijungia ir išsijungia.

#### Informacija:

Halogeninį kaitinimo elementą valdo termostato grandinė ir jis neveikia nuolat. Veikimo metu halogenas įsijungia ir išsijungia skirtingais intervalais (priklausomai nuo temperatūros), ir tai yra tikslinga bei teisinga.

### 2 problema

Maistas gaminamas netolygiai.

#### Galima priežastis:

Kepant kai kuriuos maisto produktus reikia apversti arba pakratyti.

#### Sprendimas:

Kol prietaisas veikia, ištraukite stalčių ir pakratykite jo turinį arba apverskite maistą šakute ar žnyplėmis.

### 3 problema

Kepimo metu iš prietaiso sklinda balti dūmai.

#### Galima priežastis:

Prietaiso stalčiuje susikaupę riebalų ir (arba) alyvos.

#### Sprendimas:

Įsitikinkite, kad stalčiuje nesusidarė riebalų ar alyvos sanaujų. Kiekvieną kartą po maisto gaminimo išvalykite stalčių ir keptuvės plokštę.

### 4 problema

Stalčius neįsitraukia į vietą.

#### Galima priežastis:

Stalčius per pilnas.

#### Sprendimas:

Neužpildykite stalčiaus daugiau, nei jame telpa. Maistas neturėtų siekti aukščiau stalčiaus viršaus.

## Garantijos terminai ir sąlygos

- Garantija taikoma tik paslėptiems defektams, už kuriuos atsakingas gamintojas.
- Pretenziją nagrinėja pardavimo vieta arba techninis aptarnavimas pagal garantiją, jei Klientas pateikia:
  - tinkamai užpildytą galiojančią ir aiškią garantinę kortelę su pardavimo antspaudu ir pardavėjo parašu,
  - galiojantį pirkimo įrodymą su pardavimo data,
  - praneštą gaminį arba sugedusią dalį. Įsigyjant nuotoliniu būdu, garantinė kortelė galioja tik su pirkimo įrodymu (kvitu / sąskaita faktūra).
- Pretenzija išsprendžiama per 14 dienų nuo Kliento pranešimo.
- Gamybos defektai, nustatyti garantiniu laikotarpiu, nemokamai pašalinami per 21 dieną nuo gaminio pristatymo į pardavimo vietą arba techninio aptarnavimo tarnybą.
- Jei remontui reikia importuoti detales, garantinio remonto laikotarpis gali būti pratęstas tiek laiko, kiek reikia detalei importuoti, bet ne ilgiau kaip 40 dienų.
- Garantijos išimtyt:
  - mechaninių pažeidimų ir susijusių defektų,
  - pažeidimai ir defektai, atsiradę dėl netinkamo naudojimo ir netinkamo laikymo, surinkimo ir priežiūros,
  - tokių eksploatacinių elementų pažeidimai ir nusidėvėjimas,
  - su surinkimu ar technine priežiūra susijusių veiklų, kuri pagal vadovą yra naudotojo pareiga.
- Garantija netaikoma, kai:
  - jo galiojimo laikas jau pasibaigęs,
  - Klientas remontavo arba modifikavo gaminį naudodamas neoriginalias dalis,
  - defektas atsirado dėl neteisingo įrengimo arba dėl to, kad nesilaikoma vadove pateiktų teisingo naudojimo taisyklių,
  - gaminys naudojamas ne namų ūkio reikmėms,
  - transportavimo metu padaryta žala.

8. Garantinės kortelės dublikatai neišduodami.
9. Klientas turi teisę į nemokamą kompensaciją:
  - a. gaminio remontas,
  - b. produkto pakeitimas,
  - c. sumažinta kaina,
  - d. nutraukti sutartį ir kompensuoti visas išlaidas.
10. Norėdami pranešti apie pretenziją:
  - a. Pristatykite gaminį arba jo dalį, apie kurią pranešta.
  - b. Pateikite pirkimo dokumentą, kuriame būtų nurodytas pardavėjo pavadinimas ir adresas, pirkimo data ir vieta, gaminio tipas arba galiojanti garantinė kortelė su pardavimo vietos antspaudu.
  - c. Jei gaminys pristatomas nešvarus, techninė tarnyba, gavusi raštišką sutikimą, gali atsisakyti jį priimti arba išvalyti kliento sąskaita.
11. Jei pretenzija pripažįstama, prietaisas sutaisomas arba pakeičiamas nauju, arba klientui grąžinama kompensacija. Transporto išlaidos iš gamintojo serviso padengia aptarnavimo išlaidas.
12. Jei pretenzija atmetama, Klientui pateikiamas išsamus sprendimo pagrindimas, o įranga jam išsiunčiama jo lėšomis per 14 dienų nuo sprendimo priėmimo.

### **Naudojimas**

Ekspluatuoti netinkamų elektros ir elektroninės įrangos atliekų tvarkymas (EEJA teisės aktai).

Ant pakuotės, priedų arba instrukcijų vadovo esantis ženklas nurodo, kad eksploatuoti netinkamos įrangos ir prie jos pridėdamų elektroninių priedų negalima mesti į komunalinių atliekų kontenerius kartu su kitomis buitinėmis atliekomis.

Dėl netinkamo elektroninių atliekų tvarkymo į aplinką gali patekti teršalų arba dėl netinkamo šalinimo gali kilti pavojus sveikatai. Atskirkite šias atliekas nuo kitų atliekų ir jas perdirbkite, kad žaliavas būtų galima panaudoti pakartotinai. Perdirbimo atveju jos leidžia pakartotinai naudoti žaliavas.



## Drošības norādījumi un paziņojums

Lūdzu, uzmanīgi izlasiet šo rokasgrāmatu, lai labāk saprastu, kā lietot produktu. Lietošanas laikā jāievēro daži būtiski drošības padomi, tostarp šādi.

- Ierīce gatavo ēdienu, izmantojot karstu gaisu un neizmantojot eļļu. Nekad neielejiet eļļu ierīcē. Šāda rīcība var izraisīt ugunsgrēku, personas traumas, ierīces bojājumus un anulēt garantiju.
- Mēs iesakām pieslēgt ierīci elektrotīklam, neizmantojot pagarinātājus. Īsais strāvas vads ir īpaši izstrādāts kā drošības pasākums, lai mazinātu risku, ka bērni varētu sagrābt vai spēlēties ar vadu, un lai pasargātu lietotāju no pakļūšanas uz gara strāvas vada.
- Šī ierīce ir paredzēta lietošanai tikai telpās. Nekad nelietojiet ierīci ārpus telpām.
- Ierīce darbības laikā sasilst. Lai izvairītos no apdegumiem vai traumām, rīkojieties ar ierīci un piederumiem piesardzīgi.
- Pirms lietošanas pārlicinieties, ka ierīce ir novietota uz līdzenas, tīras un sausas virsmas.
- Novietojiet ierīci bērniem vai personām, kuru fiziskās, maņu vai garīgās spējas var traucēt to droši lietot, nepieejamā vietā.
- Lai novērstu risku, ka mazi bērni var aizriekties, noņemiet un izmetiet no ierīces aizsargplēves un piederumu plastmasas iepakojumu.
- Nenovietojiet ierīci karstu gāzes, keramikas, indukcijas vai elektrisko degļu tuvumā. Šāda rīcība var izraisīt miesas bojājumus, bojāt ierīci un anulēt garantiju.
- Lai izvairītos no elektriskās strāvas trieciena, nekad neiegremdējiet ierīces strāvas vadu ūdenī vai citā šķidrumā. Neizskalojiet ierīces korpusu, izmantojot ūdeni vai citu šķidrumu. Šāda rīcība var radīt miesas bojājumus, bojāt ierīci un anulēt garantiju.
- Lietojot karstu ēdienu un karstas virsmas, esiet īpaši piesardzīgi.
- Nepārvietojiet ierīci, kamēr tā ir ieslēgta un darbojas. Šāda rīcība var radīt miesas bojājumus, bojāt ierīci un anulēt garantiju.
- Cepšanas plate, tērauda plaukts un iesmi var būt ļoti karsti cepšanas laikā un pēc cepšanas. Lai izvairītos no apdegumiem, izmantojiet cimdus.
- Regulāri pārbaudiet ierīci, tās barošanas kabeli un kontaktdakšus. Neizmantojiet ierīci, ja strāvas vads vai kontaktdakša ir bojāta. Ja ierīce nedarbojas pareizi vai ir bojāta, sazinieties ar 4Swiss klientu apkalpošanas centru.
- Ierīce ir paredzēta tikai lietošanai mājās. Nekad neizmantojiet ierīci kā profesionālu ēdināšanas iekārtu vai citiem mērķiem, kas nav tai paredzēti. Šāda rīcība var sabojāt ierīci un anulēt garantiju.
- Ierīces tīrīšanai neizmantojiet abrazīvus tīrīšanas līdzekļus, tērauda vati vai skrāpējus. Sīkāku informāciju skatiet sadaļā "Tīrīšana un apkope".
- Lai izvairītos no traumām, nevelciet vadu pāri darba virsmas malai.
- Ierīces darbības laikā neaizsedziet gaisa ieplūdes/izplūdes atveres ierīces aizmugurē. Tas var izraisīt nevienmērīgu gatavošanu un ierīces bojājumus.
- Nevienojiet ierīci pie ārēja taimera vai atsevišķas tālvadības pults sistēmas.
- Atstājiet vismaz 10 cm brīvu vietu ap ierīci, lai nodrošinātu pareizu gaisa cirkulāciju.
- Neizmantojiet ierīci vai tās piederumus mikroviļņu krāsnī, tosterī, konvekcijas krāsnī, gāzes krāsnī, elektriskajā krāsnī vai uz keramikas, elektriskās, gāzes vai indukcijas plīts vai grīla. Šāda rīcība var radīt miesas bojājumus, sabojāt ierīci un anulēt garantiju.
- Pirms lietošanas pārlicinieties, ka ierīce ir tīra. Uzglabājiet strāvas vadu tālu no karstām virsmām.
- Ierīce ir aprīkota ar 3 vadu iezemētu kontaktdakšu. Strāvas vadu vienmēr iespraudiet iezemētā kontaktligzdā.
- Pirms tīrīšanas vai uzglabāšanas atvienojiet ierīci no tīkla un Jaujiet tai atdzist.
- Ierīcē nekarsējiet noslēgtas pārtikas kārbas. Šāda rīcība var radīt miesas bojājumus, sabojāt ierīci un anulēt garantiju.
- Neievietojiet ierīcē ēdienu traukos, kas nav piemēroti augstām temperatūrām, piemēram, plastmasas maisiņos, polistirola traukos, plastmasas un papīra iepakojumā. Ir atļauts izmantot speciālus maisiņus un cepšanas apvalkus, taču tie jālieto īpaši piesardzīgi. Paturiet prātā, ka cepšanas piedurkne cepšanas laikā palielina savu tilpumu, un ir obligāti jānodrošina, lai piedurkne nesaskaras ar halogēna sildītāju un tā vāku.
- Izmantojiet ierīci tikai ar 4Swiss zīmola piederumiem. Izmantojot trešo pušu piederumus, ierīce var tikt bojāta un var tikt anulēta garantija.
- Nenovietojiet ierīci uz viegli uzliesmojošām virsmām/materiāliem, piemēram, spilveniem, galdautiem vai aizkariem, vai to tuvumā. Šāda rīcība var radīt miesas bojājumus, bojāt ierīci un anulēt garantiju.
- Karsts gaiss izplūst caur gaisa izplūdes atveri, kad ierīce tiek lietota. Lai izvairītos no traumām, vienmēr turiet rokas un seju tālāk no ventilācijas atverēm un gaisa izplūdes atverēm.
- Lai izvairītos no traumām, atverot ierīces atvilktni, esiet piesardzīgi.
- Ja no ierīces sāk izdalīties dūmi, nekavējoties atvienojiet to no tīkla un izkļiedējiet dūmus, pirms atverat atvilktni.
- Pārlicinieties, ka ēdiens neizvirzās pāri ierīces atvilktnes malām. Ja atvilktni piepildīsiet vairāk, nekā tajā ir vietas, ar gūt miesas bojājumus, sabojāt ierīci un zaudēt garantiju.
- Nekad neuzpildiet ierīci ar eļļu. Šāda rīcība var izraisīt miesas bojājumus, bojāt ierīci un anulēt garantiju.

## Produkta funkcijas

4Swiss ABB-G24 gaisa fritēze ap ēdienu cirkulē īpaši karsts gaiss, tādējādi novēršot nepieciešamību izmantot eļļu, kas parasti tiek izmantota. Intensīvā karstā gaisa pieplūde nodrošina veselīgāku ēdienu pagatavošanu, vienlaikus nodrošinot lielisku ēdiena garšu, kas kļūst garšīgi kraukšķīgi no ārpuses un perfekti pagatavots no iekšpuses. Kraukšķīgi frī kartupeļi, dārzeņi, vistas gaļa, zivis, steiki un citi produkti būs tikai rokas stiepiena attālumā, turklāt ierīce ir viegli kopjama, ātri tīrāma, bez tipiskiem taukainiem netīrumiem.

Ierīce ir aprīkota ar unikālu, ļoti efektīvu halogēna sildelementu, kas darbības laikā gan silda, gan apgaismo ēdienu gatavošanas atvilktnē. Halogēnu kontrolē termostata ķēde, un tas nedarbojas nepārtraukti. Tādējādi vizuālo apgaismojuma efektu var novērot tikai halogēna sildīšanas cikla laikā. Darbības laikā halogēns ieslēdzas un izslēdzas dažādos intervālos (atkarībā no temperatūras), kas ir paredzēts un ir pareizs ierīces darbības režīms.

Tā kā drošība un lietotāju apmierinātība ir mūsu galvenā prioritāte, ierīce ir izgatavota atbilstoši visaugstākajiem drošības un funkcionalitātes standartiem.

## Tehniskie parametri

Produkta nosaukums: Smart airfryer

Produkta modelis: ABB-G24

Atvilktnes ietilpība: 3L

Nominālais spriegums: 220 V

Nominālā frekvence: 50 Hz

Nominālā jauda: 1200 W

## Galvenās vienības apraksts

Ilustrācija Nr. 1

1. Termiskais vairogs
2. Cepšanas plate
3. Atvilktnes rokturis
4. Stikla atvilktnes korpuss
5. Skārienjūtīgais panelis
6. Gaisa ieplūdes atvere
7. Karstā gaisa izeja
8. Barošanas vads

## Vadības paneļa apraksts

Ilustrācija Nr. 2

1. Spārniņi - 180°C - 15 min
2. Stilbiņš - 180°C - 25 min.
3. Sparenbikses - 180°C - 20 min.
4. Steiks - 180°C - 12 min
5. Garneles - 170°C - 10 minūtes
6. Zivis - 180°C - 15 minūtes
7. Čipsi - 180°C - 18 min
8. Kūka - 160°C - 20 min
9. Jamss - 180°C - 35 minūtes
10. Olu pīrādziņi - 160°C - 12 min.
11. Kastaņi - 180°C - 20 minūtes
12. Atkausēšana - 80°C - 25 min
13. (-) taustiņš
14. Digitālais displejs
15. Temperatūras indikators
16. Laika indikators
17. (+) taustiņš
18. PRE-SET taustiņš
19. TIME/TEMP taustiņš
20. MENU taustiņš
21. START/CANCEL taustiņš

## Sagatavošana lietošanai

1. Noņemiet visus iepakojuma materiālus.
2. Grila un stikla atvilktni notīriet ar karstu ūdeni, mazgāšanas līdzekli un neabrazīvu sūkli. Stikla sastāvdaļas nevar tīrīt trauku mazgājamajā mašīnā.
3. Noslaukiet izstrādājuma iekšpusi un ārpusi ar mitru drānu.
4. Novietojiet šo izstrādājumu uz stabilas un līdzenas virsmas. Ap izstrādājumu ir jāatvērta pietiekami daudz vietas, lai nodrošinātu vismaz 10 cm attālumu no virsmas līdz citiem priekšmetiem. Gaisa ieplūdes vai izplūdes atverē nedrīkst novietot nekādus priekšmetus. Nenovietojiet izstrādājumu uz virsmas, kas nav karstumizturīga.

## Iestatīšana un pirmā lietošana

1. Ievietojiet cepšanas šķīvi atvilktnē un novietojiet uz tā ēdienu. Pēc tam iebīdīet atvilktni galvenajā korpusā, līdz tā ir pilnībā aizvērta.
2. Ieslēdziet ierīci un iestatiet vēlamo laiku un temperatūru manuāli, izmantojot vadības paneli, vai izvēlieties vēlamo iepriekš iestatīto programmu.
3. Nospiediet taustiņu START/STOP, lai sāktu cepšanu. Sīkāku informāciju par laika un temperatūras iestatīšanu skatiet apakšējā "Vadības ierīces un darbība".
4. Nepieciešamības gadījumā sakratiet vai pagrieziet pārtikas produktus atvilktnē. Lai to izdarītu, izvelciet atvilktni un uzmanīgi pagrieziet vai sakratiet ēdienu. Ievērojiet atvilktni atpakaļ korpusā, līdz tā ir pilnībā aizvērta. Ierīce atcerēsies laiku un iestatījumus un automātiski turpinās gatavošanu no brīža, kad tā tika pārtraukta.

**Piezīme:** Pirmo reizi lietojot to, var būt jūtama īpatnēja smarža. Tā ir normāla parādība un nav produkta kļūda. Nekad neļiejiet eļļu vai taukus gaisa fritē.

## Termiskā aizsarga izmantošana

Ierīce ir aprīkota ar termisko vairogu, kas atdala stikla trauka karstās daļas un pasargā lietotāju no apdegumiem. Vairogs ir viegli noņemams, lai pareizi nomazgātu stikla trauku. Lai izvairītos no nejaūšu apdegumu riska, vienmēr izmantojiet termisko vairogu.

## Vadība un darbība

### Iepriekš noteiktas programmas

Gaidīšanas režīmā nospiediet taustiņu MENU, lai izvēlētos 12 iepriekš definētas programmas. Digitālajā ekrānā tiks parādīti skaitļi no 01 līdz 12. Pēc programmas izvēles nospiediet START/STOP taustiņu, lai sāktu cepšanu; nospiediet šo taustiņu vēlreiz, lai apturētu cepšanu. Šajā laikā uz ekrāna mirgo pašreizējais izvēlnes numurs, un ventilators pēc 10 sekundēm pārtrauc darboties. Temperatūras/laika iestatīšanai izmantojiet taustiņus +/- . Nospiediet taustiņu MENU uz 2 sekundēm, lai atgrieztos pie iestatāmā izvēlnes numura. Nospiediet un 2 sekundes turiet nospiestu START/STOP pogu darba stāvoklī, lai atgrieztos gaidīšanas režīmā.

**Piezīme:** Ierīcei ir programmas atmiņa. Atverot stikla atvilktni, tiek apturēta sildīšanas funkcija, bet, atvilktni ievietojot atpakaļ, ierīce turpina izmantot iepriekšējos iestatījumus un izvēlēto programmu.

### Manuāla darbība

Nospiežot TIME/TEMP taustiņu, ekrānā mirgo temperatūra, kas norāda, ka temperatūru var iestatīt; kad taustiņš tiek nospiests vēlreiz, mirgo iestatītais laiks, kas norāda, ka laiku var iestatīt. Nosakot temperatūru, noklikšķiniet uz +/- taustiņiem, lai palielinātu vai samazinātu temperatūru par 5 °C, un ilgi nospiediet +/- taustiņus, lai ātri palielinātu vai samazinātu temperatūru par 5 °C. Iestatot laiku, noklikšķiniet uz +/- taustiņiem, lai palielinātu vai samazinātu 1 minūti, un ilgi nospiediet +/- taustiņus, lai ātri palielinātu vai samazinātu 1 minūti.

### PRE-SET taustiņš

Nospiediet taustiņu MENU, lai izvēlētos iepriekš noteiktu programmu, pēc tam nospiediet taustiņu PRE-SET, lai izvēlētos atliktās palaišanas laiku. Laiks uz ekrāna mirgo, izmantojiet taustiņus +/-, lai iestatītu laiku no 1h līdz 18h. Nospiediet START/STOP taustiņu, lai sāktu atpakaļskaitīšanu. Atpakaļskaitīšanas laikā ierīces pogas tiks bloķētas. Lai apturētu atpakaļskaitīšanu, ilgi nospiediet START/STOP taustiņu.

**Piezīme:** Turpmāk minēto recepšu temperatūras un laika iestatījumi ir tikai atsauces. Pielāgojiet iestatījumus faktiskajam maltītes lielumam, paši koriģējot temperatūru un laiku.

## Tīrīšana un apkope

Pirms tīrīšanas ļaujiet ierīcei pilnībā atdzist. Ierīces ārpusi noslaukiet ar tīru, mitru drānu.

Mazgājiet atvilktni ar karstu ūdeni, mazgāšanas līdzekli un neabrazīvu sūkli. Cepamo plati var mazgāt trauku mazgājamā mašīnā. Fritēšanas plati ir nelīpošs keramikas pārklājums; tās tīrīšanai nelietojiet metāla priekšmetus vai abrazīvus tīrīšanas līdzekļus. Ja

korpusa dobumā ir ēdiena atliekas vai citi gruži, noņemiet tos ar mitru, tīru drānu un pēc tam nosusiniet šo vietu ar tīru, sausu drānu.

**Piezīme:** piesardzīgi izmantojiet metāla galda piederumus vai knaibles, izvairoties no tieša kontakta ar aplātes virsmu. Tīrīšanai neizmantojiet abrazīvus tīrīšanas līdzekļus (stieplju birstes, abrazīvus sūkļus, metāla instrumentus utt.).

## Problēmu novēršana

Tālāk norādītās problēmas ne vienmēr nozīmē, ka ierīce ir bojāta. Lai uzzinātu vienkāršus risinājumus visbiežāk sastopamajām problēmām, izlasiet turpmāko sadaļu.

### 1. problēma

Gaisma ierīces iekšpusē periodiski ieslēdzas un izslēdzas.

#### Informācija:

Halogēna sildelements tiek kontrolēts ar termostata ķēdes palīdzību un nedarbojas nepārtraukti. Darbības laikā halogēns ieslēdzas un izslēdzas dažādos intervālos (atkarībā no temperatūras), kas ir tīši un pareizi.

### 2. problēma

Ēdiens tiek pagatavots nevienmērīgi.

#### Iespējamais iemesls:

Dažus ēdienus gatavošanas laikā ir nepieciešams pagriezt vai sakratīt.

#### Risinājums:

Kamēr ierīce darbojas, izvelciet atvilktni un sakratiet tās saturu vai pagrieziet ēdianu ar dakšīņu vai knaiblēm.

### 3. problēma

Gatavošanas procesa laikā no ierīces izplūst balti dūmi.

#### Iespējamais iemesls:

Ierīces atvilktnē ir sakrājušies tauki/eļļa.

#### Risinājums:

Pārlicinieties, ka atvilktnē nav sakrājušies tauki vai eļļa. Katru reizi pēc gatavošanas iztīriet atvilktni un fritēzes plāksni.

### 4. problēma

Atvilktnē netiek iebīdīta savā vietā.

#### Iespējamais iemesls:

Atvilktnē ir pārāk pilna.

#### Risinājums:

Neaizpildiet atvilktni, pārsniedzot tās ietilpību. Pārtikas produkti nedrīkst sasniegt atvilktnes augšējo daļu.

## Garantijas noteikumi un nosacījumi

1. Garantija attiecas tikai uz slēptiem defektiem, kas radušies ražotāja vainas dēļ.
2. Pretenziju apstrādā pārdošanas punkts vai tehniskais serviss saskaņā ar garantiju, ja Klients iesniedz:
  - a. derīga un skaidri salasāma garantijas karte, kas ir pareizi aizpildīta ar pārdošanas zīmogu un pārdevēja parakstu,
  - b. derīgs pirkumu apliecināošs dokuments, kurā norādīts pārdošanas datums,
  - c. paziņoto produktu vai bojāto daļu. Ja prece iegādāta attālināti, garantijas karte ir derīga tikai ar pirkumu apliecināšu dokumentu (čeku/rēķinu).
3. Pretenzija tiek atrisināta 14 dienu laikā pēc Klienta ziņojuma saņemšanas.
4. Garantijas laikā konstatētos ražošanas defektus bez maksas novērš 21 dienas laikā pēc produkta piegādes uz tirdzniecības vietu vai tehniskajam servisam.
5. Ja remontam ir nepieciešams importēt detaļas, garantijas remonta termiņu var pagarināt par laiku, kas nepieciešams detaļas importēšanai, bet ne ilgāk kā par 40 dienām.
6. Garantijas izņēmumi:
  - a. mehāniskiem bojājumiem un ar tiem saistītiem defektiem,
  - b. bojājumiem un defektiem, kas radušies nepareizas lietošanas un neatbilstošas uzglabāšanas, montāžas un apkopes rezultātā,
  - c. šādu patērējamo elementu bojājumi un nolietojums,
  - d. darbības, kas saistītas ar montāžu vai apkopi, kas ir lietotāja pienākums saskaņā ar rokasgrāmatu.
7. Garantija nav spēkā, ja:
  - a. tā derīguma termiņš ir beidzies,
  - b. Klients ir remontējis vai pārveidojis produktu, izmantojot neoriģinālas detaļas,
  - c. defekts radies nepareizas uzstādīšanas vai rokasgrāmatā norādīto pareizas ekspluatācijas noteikumu neievērošanas dēļ,
  - d. ražojums tiek izmantots citiem mērķiem, nevis lietošanai mājāsaimniecībā,
  - e. transportēšanas laikā radušies bojājumi.

8. Garantijas kartes dublikāti netiek izsniegti.
9. Klientam ir tiesības uz šādu bezmaksas kompensāciju:
  - a. produkta remonts,
  - b. produkta nomaiņa,
  - c. samazināta cena,
  - d. līguma izbeigšana un pilnīga izmaksu kompensācija.
10. Lai ziņotu par prasību:
  - a. Iepazīstiniet ar izstrādājumu vai tā daļu, par kuru ziņots.
  - b. Uzrādiet pirkumu apliecinājošu dokumentu ar pārdevēja vārdu un adresi, pirkuma datumu un vietu, produkta veidu vai derīgu garantijas karti ar tirdzniecības vietas zīmogu.
  - c. Ja izstrādājums tiek piegādāts netīrs, tehniskais dienests var atteikties to pieņemt vai iztīrīt uz klienta rēķina, saņemot rakstisku apstiprinājumu.
11. Ja pretenzija tiek pieņemta, ierīce tiek salabota vai nomainīta pret jaunu, vai arī Klientam tiek atmaksāta nauda. Transportēšanas izmaksas no ražotāja servisa sedz pakalpojums.
12. Ja pretenzija tiek noraidīta, klientam tiek sniegts detalizēts lēmuma pamatojums, un 14 dienu laikā pēc lēmuma saņemšanas viņam tiek nosūtīta iekārta uz viņa rēķina.

### **Izmantošana**

Elektrisko un elektronisko iekārtu nolietoto atkritumu apstrāde (EEIA tiesību akti).

Markējums uz iepakojuma, piederumiem vai lietošanas pamācībā norāda, ka nolietotās iekārtas un tām pievienotos elektroniskos piederumus nedrīkst mest sadzīves atkritumu konteineros kopā ar citiem sadzīves atkritumiem.

Nepareiza rīcība ar elektroniskajiem atkritumiem var izraisīt piesārņojuma nokļūšanu vidē vai apdraudējumu veselībai nepareizas utilizācijas dēļ. Atdala šos atkritumus no citiem atkritumiem un pārstrādā tos, lai izejmateriālus varētu izmantot atkārtoti. Pārstrādei tiek atļauts atkārtoti izmantot izejmateriālus.

## Veiligheidsinstructies & kennisgeving

Lees deze handleiding zorgvuldig door om beter te begrijpen hoe u het product moet gebruiken. Neem tijdens het gebruik enkele essentiële veiligheidstips in acht, waaronder de volgende.

- Het apparaat kookt voedsel met hete lucht, zonder gebruik van olie. Giet nooit olie in het apparaat. Dit kan brand, persoonlijk letsel en schade aan het apparaat veroorzaken en de garantie ongeldig maken.
- We raden aan om het apparaat op het lichtnet aan te sluiten zonder verlengsnoeren te gebruiken. Het korte netsnoer is speciaal ontworpen als veiligheidsmaatregel om het risico te beperken dat kinderen het snoer vastpakken of ermee spelen en om de gebruiker te beschermen tegen struikelen over een lang netsnoer.
- Dit apparaat is alleen bedoeld voor gebruik binnenshuis. Gebruik het apparaat nooit buitenshuis.
- Het apparaat wordt warm tijdens gebruik. Wees voorzichtig bij het hanteren van het apparaat en de accessoires om brandwonden of verwondingen te voorkomen.
- Zorg dat het apparaat voor gebruik op een vlakke, schone en droge ondergrond staat.
- Plaats het apparaat buiten het bereik van kinderen of personen die het vanwege hun fysieke, zintuiglijke of mentale vermogens niet veilig kunnen gebruiken.
- Om het risico op verstikking door kleine kinderen te voorkomen, verwijdert u de beschermfolie en plastic verpakking van accessoires van het apparaat en gooit u deze weg.
- Plaats het apparaat niet in de buurt van hete gas-, keramische, inductie- of elektrische branders. Doet u dit wel, dan kan dit leiden tot persoonlijk letsel, schade aan het apparaat en het vervallen van de garantie.
- Dompel het netsnoer van het apparaat nooit onder in water of een andere vloeistof om elektrische schokken te voorkomen. Spoel de behuizing van het apparaat niet af met water of een andere vloeistof. Dit kan persoonlijk letsel en schade aan het apparaat veroorzaken en de garantie ongeldig maken.
- Wees uiterst voorzichtig met heet voedsel en hete oppervlakken.
- Verplaats het apparaat niet terwijl het ingeschakeld en in werking is. Als u dit wel doet, kan dit leiden tot persoonlijk letsel en schade aan het apparaat en vervalt de garantie.
- De frituurplaat, het stalen rek en de spiesen kunnen erg heet zijn tijdens en na het frituren. Gebruik ovenwanten om brandwonden te voorkomen.
- Inspecteer het apparaat, het netsnoer en de stekker regelmatig. Gebruik het apparaat niet als het netsnoer of de stekker beschadigd is. Neem contact op met het 4Swiss Customer Service Center als het apparaat niet goed werkt of beschadigd is.
- Het apparaat is alleen bedoeld voor thuisgebruik. Gebruik het apparaat nooit als professionele cateringapparatuur of voor andere doeleinden dan waarvoor het bedoeld is. Anders kan het apparaat beschadigd raken en vervalt de garantie.
- Gebruik geen schurende schoonmaakmiddelen, staalwol of schuursponsjes om het apparaat schoon te maken. Zie het gedeelte "Reiniging en onderhoud" voor meer informatie.
- Trek het snoer niet over de rand van het aanrecht om letsel te voorkomen.
- Bedek de luchtinlaten/uitlaten aan de achterkant van het apparaat niet wanneer het in werking is. Dit kan leiden tot ongelijkmatig koken en schade aan het apparaat.
- Sluit het apparaat niet aan op een externe timer of een apart afstandsbedieningssysteem.
- Laat minimaal 10 cm vrije ruimte rond het apparaat voor een goede luchtcirculatie.
- Gebruik het apparaat of de accessoires niet in een magnetron, broodrooster, heteluchtoven, gasoven, elektrische oven of op een keramische, elektrische, gas- of inductiekookplaat of grill. Als u dit wel doet, kan dit leiden tot persoonlijk letsel, schade aan het apparaat en het vervallen van de garantie.
- Zorg ervoor dat het apparaat schoon is voor gebruik. Houd het netsnoer uit de buurt van hete oppervlakken.
- Het apparaat is uitgerust met een 3-draads geaarde stekker. Steek de stekker altijd in een geaard stopcontact.
- Haal de stekker uit het stopcontact en laat het apparaat afkoelen voordat je het schoonmaakt of opbergt.
- Verwarm geen verzegelde blikken voedsel in het apparaat. Als u dit wel doet, kan dit leiden tot persoonlijk letsel, schade aan het apparaat en het vervallen van de garantie.
- Doe geen voedsel in verpakkingen die niet geschikt zijn voor hoge temperaturen, zoals plastic zakken, polystyreen verpakkingen, plastic en papieren verpakkingen in het apparaat. Het gebruik van speciale zakken en bakmouwen is toegestaan, maar ze moeten met bijzondere voorzichtigheid worden gebruikt. Houd er rekening mee dat de bakhoes tijdens het bakken in volume toeneemt en dat de hoes de halogeenverwarming en het deksel ervan niet mag raken.
- Gebruik het apparaat alleen met accessoires van het merk 4Swiss. Als u accessoires van derden gebruikt, kan het apparaat beschadigd raken en vervalt de garantie.
- Plaats het apparaat niet op of in de buurt van brandbare oppervlakken/materialen zoals kussens, tafelkleden of gordijnen. Als u dit wel doet, kan dit leiden tot persoonlijk letsel, schade aan het apparaat en het vervallen van de garantie.
- Hete lucht ontsnapt via de luchtuitlaat wanneer het apparaat in gebruik is. Houd uw handen en gezicht uit de buurt van ventilatieopeningen en luchtuitlaten om letsel te voorkomen.
- Wees voorzichtig bij het openen van de lade van het apparaat om letsel te voorkomen.
- Als er rook uit het apparaat komt, haal dan onmiddellijk de stekker uit het stopcontact en verdrijf de rook voordat je de lade opent.

- Zorg ervoor dat het voedsel niet over de zijkanten van de lade van het apparaat uitsteekt. Het vullen van de lade tot over de capaciteit kan leiden tot persoonlijk letsel, schade aan het apparaat en het vervallen van de garantie.
- Vul het apparaat nooit met olie. Dit kan leiden tot persoonlijk letsel, schade aan het apparaat en het vervallen van de garantie.

## Productfuncties

De 4Swiss ABB-G24 luchtfriteuse circuleert ultrahete lucht rond het voedsel, waardoor er geen olie meer nodig is, wat normaal wel het geval zou zijn. De intensieve toevoer van hete lucht zorgt voor gezondere maaltijden met een geweldige smaak van voedsel dat heerlijk knapperig wordt aan de buitenkant en perfect gaar aan de binnenkant. Knapperige frietjes, groenten, kip, vis, steaks en nog veel meer zijn binnen handbereik, plus het apparaat is makkelijk te onderhouden, snel schoon te maken en vrij van de typische vette troep.

Het apparaat is uitgerust met een uniek, zeer effectief halogeenverwarmingselement dat het voedsel in de kooklade zowel verwarmt als verlicht tijdens het gebruik. De halogeen wordt geregeld door het thermostaatcircuit en werkt niet continu. Het visuele verlichtingseffect kan dus alleen worden waargenomen tijdens de halogeenverwarmingscyclus. Tijdens de werking schakelt de halogeen met verschillende intervallen aan en uit (afhankelijk van de temperatuur), wat opzettelijk is en de juiste werkingsmodus van het apparaat is.

Omdat veiligheid en gebruikerstevredenheid onze topprioriteit zijn, is het apparaat gebouwd volgens de hoogste normen op het gebied van veiligheid en functionaliteit.

## Technische parameters

Productnaam: Slimme airfryer

Productmodel: ABB-G24

Capaciteit lade: 3L

Nominale spanning: 220V

Nominale frequentie: 50Hz

Nominaal vermogen: 1200W

## Beschrijving hoofdunit

Illustratie nr. 1

1. Thermisch schild
2. Braadplaat
3. Handvat lade
4. Glazen ladebak
5. Aanraakpaneel
6. Luchtinlaat
7. Hete luchtuitlaat
8. Netsnoer

## Beschrijving bedieningspaneel

Illustratie nr. 2

1. Vleugels - 180°C - 15 min
2. Trommelstok - 180°C - 25 min
3. Spareribs - 180°C - 20 min
4. Biefstuk - 180°C - 12 min
5. Garnalen - 170°C - 10 min
6. Vis - 180°C - 15 min
7. Chips - 180°C - 18 min
8. Cake - 160°C - 20 min
9. Yams - 180°C - 35 min
10. Eiertartjes - 160°C - 12 min
11. Kastanje - 180°C - 20 min
12. Ontdooien - 80°C - 25 min
13. (-) toets
14. Digitaal display
15. Temperatuurindicator
16. Tijdsindicator

17. (+) toets
18. PRE-SET toets
19. TIJD/TEMP toets
20. MENU-toets
21. START/CANCEL toets

### Vorbereiding voor gebruik

1. Verwijder alle verpakkingsmaterialen.
2. Reinig het rooster en de glazen lade met heet water, afwasmiddel en een niet-schurende spons. Glazen onderdelen kunnen niet in de vaatwasser gereinigd worden.
3. Neem de binnen- en buitenkant van het product af met een vochtige doek.
4. Plaats dit product op een stabiele en vlakke ondergrond. Zorg voor voldoende ruimte rondom het product, zodat er minstens 10 cm afstand is tussen het oppervlak en andere voorwerpen. Plaats geen voorwerpen in de luchtinlaat of uitlaat. Plaats het product niet op een oppervlak dat niet hittebestendig is.

### Installatie en eerste gebruik

1. Plaats de bakplaat in de lade en leg het voedsel erop. Schuif de lade vervolgens in de hoofdbehuizing tot hij helemaal gesloten is.
2. Sluit het apparaat aan en stel de gewenste tijd en temperatuur handmatig in met het bedieningspaneel of selecteer het gewenste voorgedefinieerde programma.
3. Druk op de START/STOP toets om te beginnen met bakken. Voor meer informatie over het instellen van de tijd en temperatuur, zie het gedeelte "Bedieningselementen en bediening".
4. Schud of draai het voedsel in de lade indien nodig. Schuif hiervoor de lade naar buiten en draai of schud het voedsel voorzichtig. Schuif de lade terug in de behuizing tot ze volledig gesloten is. Het apparaat onthoudt de tijd en instellingen en gaat automatisch verder vanaf het moment dat het koken werd onderbroken.

**Opmerking:** Het kan zijn dat je een vreemde geur ruikt als je het voor het eerst gebruikt. Dit is normaal en geen productiefout. Giet nooit olie of vet in de airfryer.

### Het thermisch schild gebruiken

Het apparaat is uitgerust met een thermisch schild dat de hete delen van de glazen kom scheidt en de gebruiker beschermt tegen brandwonden. Het schild is gemakkelijk te verwijderen om de glazen lade goed te kunnen wassen. Gebruik altijd het thermisch schild om het risico op brandwonden te voorkomen.

### Bedieningselementen en werking

#### Vooraf gedefinieerde programma's

Druk op de MENU toets in stand-by om 12 voorgedefinieerde programma's te selecteren. Op het digitale scherm verschijnen de nummers 01 tot 12. Druk na het kiezen van het programma op de START/STOP toets om te beginnen met bakken; druk nogmaals op deze toets om te pauzeren. Op dat moment knippert op het scherm het huidige menunummer en stopt de ventilator na 10 seconden met werken. Gebruik de +/- toetsen om de temperatuur/tijd in te stellen. Druk 2 seconden op de MENU toets om terug te keren naar het instelbare menunummer. Houd de START/STOP toets 2 seconden ingedrukt in de werkstand om terug te keren naar de stand-by stand.

**Opmerking:** Het apparaat heeft een programmegeheugen. Als je de glazen lade opent, wordt de verwarmingsfunctie onderbroken, maar als je de lade weer terugplaatst, blijft het apparaat werken met de vorige instellingen en het geselecteerde programma.

#### Handmatige bediening

Wanneer de TIME/TEMP toets wordt ingedrukt, knippert de temperatuur op het scherm om aan te geven dat de temperatuur kan worden ingesteld; wanneer de toets nogmaals wordt ingedrukt, knippert de ingestelde tijd om aan te geven dat de tijd kan worden ingesteld. Klik bij het instellen van de temperatuur op de +/- toetsen om 5°C te verhogen of te verlagen, en druk lang op de +/- toetsen om snel 5°C te verhogen of te verlagen. Klik bij het instellen van de tijd op de +/- toetsen om 1 minuut te verhogen of te verlagen en druk lang op de +/- toetsen om snel 1 minuut te verhogen of te verlagen.

#### PRE-SET toets

Druk op de MENU toets om een voorgedefinieerd programma te selecteren en druk dan op de PRE-SET toets om een uitgestelde starttijd te selecteren. De tijd op het scherm knippert, gebruik de +/- toetsen om de tijd in te stellen tussen 1u - 18u. Druk op de START/STOP toets om het aftellen te starten. Tijdens het aftellen zijn de toetsen van het apparaat geblokkeerd. Druk lang op de START/STOP toets om het aftellen te stoppen.



**Opmerking:** De temperatuur- en tijdstellingen van de volgende recepten zijn alleen ter referentie. Pas de instellingen aan aan de werkelijke grootte van de maaltijd door zelf de temperatuur en tijd te corrigeren.

## Reiniging en onderhoud

Laat het apparaat volledig afkoelen voordat u het schoonmaakt. Gebruik een schone, vochtige doek om de buitenkant van het apparaat schoon te vegen.

Was de lade met heet water, afwasmiddel en een niet-schurende spons. De bakplaat is vaatwasmachinebestendig. De bakplaat heeft een keramische antiaanbaklaag; gebruik geen metalen voorwerpen of schuurmiddelen om ze schoon te maken. Als er etensresten of ander vuil in de holte van de behuizing zit, verwijder dit dan met een vochtige, schone doek en droog het gebied vervolgens af met een schone, droge doek.

**Let op:** Gebruik voorzichtig metalen bestek of tangen en vermijd direct contact met het oppervlak van de bak. Gebruik geen schurende schoonmaakmiddelen (staalborstel, schuursponzen, metalen gereedschap enz.) voor het schoonmaken.

## Problemen oplossen

De volgende problemen betekenen niet noodzakelijk dat het apparaat defect is. Lees het volgende gedeelte voor eenvoudige oplossingen voor de meest voorkomende problemen.

### Probleem 1

Het lampje in het apparaat gaat regelmatig aan en uit.

Informatie:

Het halogeenvanwarmingselement wordt geregeld door het thermostaatcircuit en werkt niet continu. Tijdens het gebruik schakelt de halogeen met wisselende intervallen aan en uit (afhankelijk van de temperatuur), wat opzettelijk en correct is.

### Probleem 2

Het eten wordt ongelijk gekookt.

Mogelijke oorzaak:

Sommige voedingsmiddelen moeten tijdens het koken worden gedraaid of geschud.

Oplossing:

Terwijl het apparaat draait, trek je de lade uit en schud je de inhoud of draai je het voedsel om met een vork of tang.

### Probleem 3

Tijdens het kookproces komt er witte rook uit het apparaat.

Mogelijke oorzaak:

Er heeft zich vet/olie opgehoopt in de lade van het apparaat.

Oplossing:

Zorg ervoor dat er zich geen vet of olie heeft opgehoopt in de lade. Maak de lade en de frituurplaat elke keer na het koken schoon.

### Probleem 4

De lade schuift niet op zijn plaats.

Mogelijke oorzaak:

De lade is te vol.

Oplossing:

Vul de lade niet te vol. Het voedsel mag niet boven de bovenkant van de lade uitkomen.

## Garantievoorwaarden

1. De garantie dekt alleen verborgen gebreken die toe te schrijven zijn aan de fabrikant.
2. De claim wordt behandeld door het verkooppunt of de technische dienst onder de garantie als de Klant deze overlegt:
  - a. een geldige en duidelijke garantiekarta die correct is ingevuld met een verkoopstempel en handtekening van de verkoper,
  - b. een geldig aankoopbewijs met de verkoopdatum,
  - c. het gemelde product of defecte onderdeel. In het geval van een aankoop op afstand is de garantiekarta alleen geldig met een aankoopbewijs (kassabon/factuur).
3. De claim wordt binnen 14 dagen na de melding door de Klant opgelost.
4. Fabricagefouten die binnen de garantieperiode worden vastgesteld, worden binnen 21 dagen na levering van het product bij het verkooppunt of de technische dienst gratis gerepareerd.
5. Als het nodig is om onderdelen te importeren voor de reparatie, kan de garantieperiode worden verlengd met de tijd die nodig is om het onderdeel te importeren, met een maximum van 40 dagen.
6. Garantie-uitsluitingen:
  - a. mechanische schade en gerelateerde defecten,
  - b. schade en defecten als gevolg van verkeerd gebruik en onjuiste opslag, montage en onderhoud,

- c. schade en slijtage van dergelijke verbruiksartikelen,
  - d. activiteiten met betrekking tot de montage of het onderhoud die verplicht zijn voor de gebruiker in overeenstemming met de handleiding.
7. De garantie is niet van toepassing wanneer:
    - a. de geldigheidsduur is verstreken,
    - b. de Klant het product heeft gerepareerd of aangepast met niet-originele onderdelen,
    - c. het defect het gevolg is van een onjuiste installatie of van het niet opvolgen van de regels voor correct gebruik in de handleiding,
    - d. het product wordt gebruikt voor andere doeleinden dan huishoudelijk gebruik,
    - e. schade is opgetreden tijdens transport.
  8. Er worden geen duplicaten van de garantiekaart uitgegeven.
  9. De klant heeft recht op de volgende gratis compensatie:
    - a. productreparatie,
    - b. productvervanging,
    - c. gereduceerde prijs,
    - d. beëindiging van een contract en volledige kostenvergoeding.
  10. Een claim melden:
    - a. Presenteer het product of het gerapporteerde onderdeel ervan.
    - b. Toon het aankoopbewijs met de naam en het adres van de verkoper, de datum en plaats van aankoop, het type product of een geldige garantiekaart met een stempel van het verkooppunt.
    - c. Als het product vuil wordt afgeleverd, kan de technische dienst het weigeren of op kosten van de Klant reinigen na zijn schriftelijke goedkeuring.
  11. Als de claim wordt geaccepteerd, wordt het apparaat gerepareerd of vervangen door een nieuw exemplaar of krijgt de Klant zijn geld terug. Transportkosten van de service van de fabrikant dekken de service.
  12. Als de claim wordt afgewezen, krijgt de Klant een gedetailleerde motivering van de beslissing en wordt de apparatuur binnen 14 dagen na het verstrekken van de beslissing op zijn kosten naar hem opgestuurd.

## **Gebruik**

Verwerking van afgedankte elektrische en elektronische apparatuur (AEEA-wetgeving).

De markering op de verpakking, accessoires of gebruiksaanwijzing geeft aan dat afgedankte apparatuur en bijbehorende elektronische accessoires niet samen met ander huishoudelijk afval in gemeentelijke afvalcontainers mogen worden geplaatst. Onjuiste verwerking van elektronisch afval kan ertoe leiden dat verontreinigende stoffen in het milieu terechtkomen of dat er gezondheidsrisico's ontstaan door onjuiste verwijdering. Scheid dit afval van ander afval en recycle het zodat de grondstoffen opnieuw kunnen worden gebruikt. Voor recycling staat men het hergebruik van grondstoffen toe.

## Sikkerhetsinstruksjoner og merknader

Les denne bruksanvisningen nøye for å få en bedre forståelse av hvordan du bruker produktet. Noen viktige sikkerhetstips, inkludert følgende, skal overholdes under bruk.

- Apparatet tilbereder mat ved hjelp av varmluft, uten bruk av olje. Hell aldri olje inn i enheten. Dette kan føre til brann, personskaade, skade på apparatet og gjøre garantien ugyldig.
- Vi anbefaler at du kobler enheten til strømmettet uten å bruke skjøteledninger. Den korte strømledningen er spesielt utformet som et sikkerhetstiltak for å redusere risikoen for at barn griper tak i eller leker med ledningen, og for å beskytte brukeren mot å snuble over en lang strømlledning.
- Denne enheten er kun beregnet for innendørs bruk. Bruk aldri enheten utendørs.
- Apparatet blir varmt under bruk. Vær forsiktig når du håndterer apparatet og tilbehøret for å unngå brannskader eller personskaader.
- Før bruk må du sørge for at enheten er plassert på en jevn, ren og tørr overflate.
- Plasser enheten utenfor rekkevidde av barn eller personer med fysiske, sensoriske eller mentale evner som kan hindre dem i å bruke den på en sikker måte.
- For å unngå kvelningsfare for små barn må du fjerne og kaste beskyttelsesfolien og plastemballasjen til tilbehøret fra enheten.
- Ikke plasser enheten i nærheten av varme gass-, keramikk-, induksjons- eller elektriske brennere. Dette kan føre til personskaade, skade på enheten og gjøre garantien ugyldig.
- For å unngå elektrisk støt må du aldri senke enhetens strømlledning ned i vann eller annen væske. Ikke skyll apparatet med vann eller annen væske. Dette kan føre til personskaade, skade på enheten og gjøre garantien ugyldig.
- Vær svært forsiktig ved håndtering av varm mat og varme overflater.
- Ikke flytt enheten mens den er slått på og i drift. Dette kan føre til personskaade, skade på apparatet og gjøre garantien ugyldig.
- Stekeplaten, stålstativet og grillspydene kan være svært varme under og etter steking. Bruk stekehansker for å unngå brannskader.
- Kontroller enheten, strømlledningen og støpselet regelmessig. Ikke bruk apparatet hvis strømlledningen eller støpselet er skadet. Hvis enheten ikke fungerer som den skal eller er skadet på noen måte, må du kontakte 4Swiss kundeservicesenter.
- Apparatet er kun beregnet for hjemmebruk. Bruk aldri apparatet som profesjonelt cateringutstyr eller til andre formål enn det er beregnet for. Dette kan skade apparatet og gjøre garantien ugyldig.
- Ikke bruk slipende rengjøringsmidler, stålull eller skuresvamper til å rengjøre enheten. Se avsnittet "Rengjøring og vedlikehold" for mer informasjon.
- For å unngå skader må du ikke trekke ledningen over kanten på benkeplaten.
- Ikke dekk til luftinntakene/utløpene på baksiden av apparatet når det er i bruk. Dette kan føre til ujevn tilberedning og skade på apparatet.
- Ikke koble enheten til en ekstern timer eller et separat fjernkontrollsystem.
- La det være minst 10 cm fri plass rundt enheten for å sikre god luft sirkulasjon.
- Ikke bruk apparatet eller tilbehøret i mikrobølgeovn, brødrister, varmluftsovn, gassovn, elektrisk ovn eller på en keramisk, elektrisk, gass- eller induksjonstopp eller grill. Dette kan føre til personskaade, skade på apparatet og gjøre garantien ugyldig.
- Sørg for at enheten er ren før bruk. Hold strømlledningen borte fra varme overflater.
- Apparatet er utstyrt med en jordet støpsel med 3 ledninger. Koble alltid strømlledningen til en jordet stikkontakt.
- Trekk ut støpselet og la enheten kjøle seg ned før rengjøring eller oppbevaring.
- Ikke varm opp forseglede bokser med mat i enheten. Dette kan føre til personskaade, skade på apparatet og gjøre garantien ugyldig.
- Ikke legg mat i beholdere som ikke er egnet for høye temperaturer, som plastposer, isoporbeholdere, plast- og papiremballasje, inn i apparatet. Det er tillatt å bruke spesialposer og bakehylser, men de må brukes med særlig forsiktighet. Vær oppmerksom på at bakehyslen øker i volum under steking, og at det er viktig å sørge for at hyslen ikke kommer i kontakt med halogenvarmeren og dens deksel.
- Bruk enheten kun med tilbehør fra 4Swiss-merket. Bruk av tilbehør fra tredjeparter kan skade enheten og gjøre garantien ugyldig.
- Ikke plasser enheten på eller i nærheten av brennbare overflater/materialer som puter, duker eller gardiner. Dette kan føre til personskaade, skade på apparatet og gjøre garantien ugyldig.
- Varm luft slipper ut gjennom luftutløpet når enheten er i bruk. For å unngå personskaader må du alltid holde hender og ansikt borte fra ventilasjonsåpninger og luftuttak.
- Vær forsiktig når du åpner skuffen på enheten for å unngå personskaader.
- Hvis det begynner å komme røyk ut av apparatet, må du straks trekke ut støpselet og fjerne røyken før du åpner skuffen.
- Pass på at maten ikke stikker ut over sidene på apparatets skuff. Hvis skuffen fylles over sin kapasitet, kan det føre til personskaade, skade på apparatet og ugyldiggjøre garantien.
- Fyll aldri enheten med olje. Dette kan føre til personskaade, skade på apparatet og gjøre garantien ugyldig.

## Produktfunksjoner

4Swiss ABB-G24 fritrygryte sirkulerer ultravarm luft rundt maten, noe som eliminerer behovet for å bruke olje som vanligvis ville blitt brukt. Den intensive varmluftsstrømmen sørger for sunnere måltider samtidig som den gir god smak på maten som blir deilig sprø på utsiden og perfekt tilberedt på innsiden. Sprø pottes, frites, grønnsaker, kylling, fisk, biff og mye mer er bare en armlengdes avstand unna, og enheten er enkel å vedlikeholde, rask å rengjøre og fri for det typiske fettølet.

Apparatet er utstyrt med et unikt, svært effektivt halogenvarmeelement som både varmer opp og lyser opp maten i kokeskuffen under drift. Halogenet styres av termostatkretsen og er ikke i kontinuerlig drift. Den visuelle belysningseffekten kan derfor bare observeres under halogenoppvarmingscyklusen. Under drift slås halogenet på og av med varierende intervaller (temperaturavhengig), noe som er tilsiktet og er den korrekte modusen for enhetens drift.

For di sikkerhet og brukertilfredshet er vår høyeste prioritet, er enheten bygget i henhold til de høyeste standarder for sikkerhet og funksjonalitet.

## Tekniske parametere

Produktnavn: Smart airfryer

Produktmodell: ABB-G24

Skuffekapasitet: 3 liter

Nominell spenning: 220V

Nominell frekvens: 50 Hz

Nominell effekt: 1200W

## Beskrivelse av hovedenheten

Illustrasjon nr. 1

1. Termisk skjold
2. Stekeplate
3. Skuffens håndtak
4. Skuffekropp av glass
5. Berøringspanel
6. Luftinntak
7. Utløp for varmluft
8. Strømledning

## Beskrivelse av kontrollpanelet

Illustrasjon nr. 2

1. Vinger - 180 °C - 15 min
2. Trommestikker - 180 °C - 25 min
3. Spareribs - 180 °C - 20 min
4. Biff - 180 °C - 12 min
5. Reker - 170 °C - 10 min
6. Fisk - 180 °C - 15 min
7. Chips - 180 °C - 18 min
8. Kake - 160 °C - 20 min
9. Yams - 180 °C - 35 min
10. Egg Tarts - 160 °C - 12 min
11. Kastanje - 180 °C - 20 min
12. Avriming - 80 °C - 25 min
13. (-)-tasten
14. Digital skjerm
15. Temperaturindikator
16. Tidsindikator
17. (+)-tasten
18. PRE-SET-tast
19. TIME/TEMP-tast
20. MENU-tasten
21. START/AVBRYT-tasten

## Forberedelse til bruk

1. Fjern alt emballasjemateriale.
2. Rengjør grillen og glassskuffen med varmt vann, oppvaskmiddel og en ikke-slipende svamp. Glassdeler kan ikke rengjøres i oppvaskmaskin.
3. Tørk av innsiden og utsiden av produktet med en fuktig klut.
4. Plasser dette produktet på et stabilt og flatt underlag. Det må settes av nok plass rundt produktet til at det er en avstand på minst 10 cm fra overflaten til andre gjenstander. Ingen gjenstander må plasseres i luftinntaket eller -utløpet. Ikke plasser produktet på en overflate som ikke er varmebestandig.

## Oppsett og første gangs bruk

1. Plasser stekeplaten i skuffen og legg maten på den. Skyv deretter skuffen inn i hovedhuset til den er helt lukket.
2. Koble til enheten og still inn ønsket tid og temperatur manuelt ved hjelp av kontrollpanelet, eller velg ønsket forhåndsdefinert program.
3. Trykk på START/STOP-tasten for å starte bakingen. For mer informasjon om innstilling av tid og temperatur, se underkapittelet "Kontroller og betjening".
4. Rist eller snu maten i skuffen etter behov. Dette gjør du ved å skyve skuffen ut og forsiktig snu eller riste maten. Skyv skuffen tilbake inn i huset til den er helt lukket. Apparatet vil huske tiden og innstillingene og fortsette automatisk fra det øyeblikket tilberedningen ble avbrutt.

**Merk:** Du kan kjenne en spesiell lukt når du bruker den for første gang. Dette er normalt og ikke en produktfeil. Hell aldri olje eller fett i airfryeren.

## Bruk av det termiske skjoldet

Apparatet er utstyrt med et varmeskjold som skiller de varme delene av glassskålen fra hverandre og beskytter brukeren mot brannskader. Skjoldet er enkelt å ta av for å kunne vaske glassskuffen på riktig måte. Bruk alltid varmeskjoldet for å unngå risikoen for utilsikket forbrenning.

## Kontroller og betjening

### Forhåndsdefinerte programmer

Trykk på MENU-tasten i standby-modus for å velge 12 forhåndsdefinerte programmer. Den digitale skjermen viser tallene 01 til 12. Etter at du har valgt program, trykker du på START/STOP-knappen for å starte bakingen; trykk på denne tasten igjen for å sette den på pause. På dette tidspunktet blinker det aktuelle menynummeret på displayet, og viften stopper etter 10 sekunder. Bruk tastene +/- for å stille inn temperatur/tid. Trykk på MENU-tasten i 2 sekunder for å gå tilbake til det innstillbare menynummeret. Hold START/STOP-knappen inne i 2 sekunder i arbeidstilstand for å gå tilbake til standby-tilstand.

**Merk:** Apparatet har et programminne. Når du åpner glassskuffen, settes oppvarmingsfunksjonen på pause, men når skuffen settes inn igjen, fortsetter enheten å bruke de tidligere innstillingene og det valgte programmet.

### Manuell betjening

Når TIME/TEMP-tasten trykkes, blinker temperaturen på skjermen, noe som indikerer at temperaturen kan stilles inn; når tasten trykkes igjen, blinker den innstilte tiden, noe som indikerer at tiden kan stilles inn. Når du stiller inn temperaturen, klikker du på +/--tastene for å øke eller redusere 5 °C, og trykker lenge på +/--tastene for å øke eller redusere 5 °C raskt. Når du stiller inn tiden, klikker du på +/--tastene for å øke eller redusere 1 minutt, og trykker lenge på +/--tastene for å øke eller redusere 1 minutt raskt.

### PRE-SET-tast

Trykk på MENU-tasten for å velge forhåndsdefinert program, og trykk deretter på PRE-SET-tasten for å velge et utsatt starttidspunkt. Tiden på skjermen vil blinke, bruk +/--tastene for å stille inn tiden mellom 1h - 18h. Trykk på START/STOP-tasten for å starte nedtellingen. Under nedtellingen vil knappene på enheten være låst. For å stoppe nedtellingen trykker du lenge på START/STOP-tasten.

**Merk:** Temperatur- og tidsinnstillingene i de følgende oppskriftene er kun veiledende. Tilpass innstillingene til måltidets faktiske størrelse ved å korrigere temperatur og tid selv.

## Rengjøring og vedlikehold

La enheten avkjøles helt før rengjøring. Bruk en ren, fuktig klut til å tørke av utsiden av enheten.

Skuffen vaskes med varmt vann, oppvaskmiddel og en ikke-slipende svamp. Stekeplaten kan vaskes i oppvaskmaskin. Stekeplaten har et keramisk non-stick-belegg; ikke bruk metallgjenstander eller slipende rengjøringsmidler for å rengjøre dem. Hvis det er

matrester eller annet rusk i hulrommet i huset, fjerner du det med en fuktig, ren klut og tørker deretter området med en ren, tørr klut.

**Merk:** Vær forsiktig med å bruke metallbestikk eller -tang, og unngå direkte kontakt med overflaten på brettet. Ikke bruk slipende rengjøringsmidler (stålbørste, slipende svamper, metallverktøy osv.) til rengjøring.

## Feilsøking

Følgende problemer betyr ikke nødvendigvis at enheten er defekt. Les følgende avsnitt for å finne enkle løsninger på de vanligste problemene.

### Problem 1

Lyset inne i enheten slås på og av med jevne mellomrom.

#### Informasjon:

Halogenvarmeelementet styres av termostatkreten og er ikke i kontinuerlig drift. Under drift slås halogenet på og av med varierende intervaller (temperaturavhengig), noe som er tilsiktet og korrekt.

### Problem 2

Maten tilberedes ujevnt.

#### Mulig årsak:

Noen matvarer må snus eller ristes under tilberedningen.

#### Løsning:

Mens apparatet er i gang, trekker du ut skuffen og rister innholdet eller snur maten med en gaffel eller tang.

### Problem 3

Det kommer hvit røyk ut av apparatet under tilberedningsprosessen.

#### Mulig årsak:

Det har samlet seg fett/olje i apparatets skuff.

#### Løsning:

Sørg for at det ikke har samlet seg fett eller olje i skuffen. Rengjør skuffen og fritrygryteplaten hver gang etter tilberedning.

### Problem 4

Skuffen glir ikke på plass.

#### Mulig årsak:

Skuffen er for full.

#### Løsning:

Ikke fyll skuffen utover dens kapasitet. Maten skal ikke nå over toppen av skuffen.

## Vilkår og betingelser for garantien

1. Garantien dekker kun skjulte feil som kan tilskrives produsenten.
2. Kravet skal behandles av salgsstedet eller teknisk service i henhold til garantien hvis Kunden fremlegger dette:
  - a. et gyldig og tydelig garantikort som er fylt ut på riktig måte med salgsspempel og underskrift fra selger,
  - b. et gyldig kjøpsbevis med salgsdato,
  - c. det rapporterte produktet eller den defekte delen. Ved fjernkjøp er garantikortet kun gyldig sammen med kjøpsbevis (kvittering/faktura).
3. Kravet løses innen 14 dager etter at kunden har rapportert det.
4. Produksjonsfeil som oppdages i garantiperioden, skal repareres kostnadsfritt innen 21 dager etter at produktet er levert til salgsstedet eller teknisk service.
5. Hvis det er nødvendig å importere deler for reparasjonen, kan garanti-reparasjonsperioden forlenges med den tiden det tar å importere delen, men ikke mer enn 40 dager.
6. Garantien gjelder ikke:
  - a. mekaniske skader og relaterte defekter,
  - b. skader og defekter som følge av feil bruk og uhensiktsmessig lagring, montering og vedlikehold,
  - c. skader og slitasje på slike forbruks-elementer,
  - d. aktiviteter knyttet til montering eller vedlikehold som er brukerens plikt i henhold til bruksanvisningen.
7. Garantien skal ikke gjelde når:
  - a. den har gått ut av gyldighetsperioden,
  - b. Kunden har reparert eller modifisert produktet ved bruk av uoriginale deler,
  - c. feilen skyldes feil installasjon eller manglende overholdelse av reglene for korrekt bruk i bruksanvisningen,
  - d. produktet brukes til andre formål enn husholdningsbruk,
  - e. skade oppstått under transport.
8. Det utstedes ingen duplikater av garantikortet.
9. Kunden har rett til følgende vederlagsfrie kompensasjon

- a. produktreparasjon,
  - b. produktutskiftning,
  - c. redusert pris,
  - d. oppsigelse av en kontrakt og full kostnadskompensasjon.
10. For å rapportere et krav:
- a. Presentere produktet eller den rapporterte delen av det.
  - b. Vis frem kjøpsbeviset med selgerens navn og adresse, kjøpsdato og -sted, produkttype eller gyldig garantikort med stempel fra salgsstedet.
  - c. Hvis produktet leveres skittent, kan den tekniske tjenesten nekte å ta imot det eller rengjøre det på kundens bekostning etter skriftlig godkjenning.
11. Hvis reklamasjonen godtas, blir enheten reparert eller erstattet med en ny, eller kunden får refundert pengene. Transportkostnader fra produsentens service dekker service.
12. Hvis kravet avslås, får kunden en detaljert begrunnelse for avgjørelsen, og utstyret sendes til kunden på dennes regning innen 14 dager etter at avgjørelsen er truffet.

### **Utnyttelse**

Håndtering av utrangert avfall fra elektrisk og elektronisk utstyr (WEEE-lovgivningen).

Merkingen på emballasjen, tilbehøret eller bruksanvisningen indikerer at utrangert utstyr og tilhørende elektronisk tilbehør ikke skal kastes i kommunale avfallsbeholdere sammen med annet husholdningsavfall.

Feil håndtering av elektronisk avfall kan føre til at forurensende stoffer kommer ut i miljøet, eller at det oppstår helserisiko på grunn av feilaktig avhending. Separer dette avfallet fra annet avfall og resirkuler det slik at råmaterialene kan gjenbrukes. For resirkulering tillater de gjenbruk av råmaterialer.

## Instruções e avisos de segurança

Leia atentamente este manual para compreender melhor como utilizar o produto. Durante a utilização, devem ser observadas algumas dicas de segurança essenciais, incluindo as seguintes.

- O aparelho cozinha os alimentos com ar quente, sem utilizar óleo. Nunca deite óleo no aparelho. Se o fizer, pode provocar um incêndio, ferimentos pessoais, danos no aparelho e anular a garantia.
- Recomendamos que ligue o aparelho à rede eléctrica sem utilizar extensões. O cabo de alimentação curto foi especificamente concebido como uma medida de segurança para reduzir o risco de as crianças agarrarem ou brincarem com o cabo e para proteger o utilizador de tropeçar num cabo de alimentação longo.
- Este aparelho destina-se a ser utilizado exclusivamente em interiores. Nunca utilizar o aparelho no exterior.
- O aparelho aquece durante o funcionamento. Tenha cuidado ao manusear o aparelho e os acessórios para evitar queimaduras ou ferimentos.
- Antes de utilizar, certifique-se de que o dispositivo é colocado numa superfície plana, limpa e seca.
- Coloque o aparelho fora do alcance de crianças ou de qualquer pessoa cujas capacidades físicas, sensoriais ou mentais possam impedi-la de o utilizar em segurança.
- Para eliminar o risco de asfixia por parte de crianças pequenas, retire e deite fora as películas de proteção e as embalagens de plástico dos acessórios do aparelho.
- Não coloque o aparelho perto de queimadores quentes de gás, cerâmica, indução ou eléctricos. Se o fizer, pode provocar ferimentos pessoais, danos no aparelho e anular a garantia.
- Para evitar choques eléctricos, nunca mergulhe o cabo de alimentação do aparelho em água ou noutro líquido. Não enxágue a caixa do aparelho com água ou qualquer outro líquido. Se o fizer, pode provocar ferimentos pessoais, danos no aparelho e anular a garantia.
- Tenha muito cuidado ao manusear alimentos quentes e superfícies quentes.
- Não desloque o aparelho enquanto este estiver ligado e em funcionamento. Se o fizer, pode provocar ferimentos pessoais, danos no aparelho e anular a garantia.
- A placa de fritura, a grelha de aço e os espetos podem estar muito quentes durante e após a fritura. Utilize luvas de forno para evitar queimaduras.
- Inspeccionar regularmente o aparelho, o cabo de alimentação e a ficha. Não utilize o aparelho se o cabo de alimentação ou a ficha estiverem danificados. Se o aparelho funcionar mal ou estiver danificado de alguma forma, contacte o Centro de Assistência ao Cliente da 4Swiss.
- O aparelho destina-se a ser utilizado exclusivamente em casa. Nunca utilize o aparelho como equipamento de restauração profissional ou para qualquer outro fim que não seja a sua utilização prevista. Se o fizer, pode danificar o aparelho e anular a garantia.
- Não utilize produtos de limpeza abrasivos, palha de aço ou esfregões para limpar o aparelho. Para mais informações, consulte a secção "Limpeza e manutenção".
- Para evitar ferimentos, não puxe o cabo para além da borda da bancada.
- Não tapar as entradas/saídas de ar na parte de trás do aparelho quando este está a funcionar. Tal pode provocar uma cozedura irregular e danificar o aparelho.
- Não ligue o dispositivo a um temporizador externo ou a um sistema de controlo remoto separado.
- Deixe um mínimo de 10 cm de espaço livre à volta do aparelho para uma circulação de ar adequada.
- Não utilize o aparelho ou os seus acessórios num forno de micro-ondas, numa torradeira, num forno de convecção, num forno a gás, num forno eléctrico ou num grelhador ou placa de cozinhar de cerâmica, eléctrica, a gás ou de indução. Se o fizer, pode causar ferimentos pessoais, danos no aparelho e anular a garantia.
- Certifique-se de que o dispositivo está limpo antes de o utilizar. Mantenha o cabo de alimentação afastado de superfícies quentes.
- O aparelho está equipado com uma ficha de 3 fios com ligação à terra. Ligue sempre o cabo de alimentação a uma tomada eléctrica com ligação à terra.
- Desligue o aparelho da tomada e deixe-o arrefecer antes de o limpar ou guardar.
- Não aqueça latas de alimentos seladas na unidade. Se o fizer, pode causar ferimentos pessoais, danos no aparelho e anular a garantia.
- Não coloque no aparelho alimentos em recipientes que não sejam adequados para altas temperaturas, tais como sacos de plástico, recipientes de esferovite, embalagens de plástico e de papel. É permitida a utilização de sacos especiais e de mangas de cozedura, mas estes devem ser utilizados com especial cuidado. Tenha em atenção que a manga de cozedura aumenta de volume durante a cozedura e é imperativo garantir que a manga não toca no aquecedor de halogéneo e na sua cobertura.
- Utilize o aparelho apenas com acessórios da marca 4Swiss. A utilização de acessórios de outros fabricantes pode danificar o aparelho e anular a garantia.
- Não coloque o aparelho sobre ou perto de superfícies/materiais inflamáveis, tais como almofadas, toalhas de mesa ou cortinas. Se o fizer, pode causar ferimentos pessoais, danos no dispositivo e anular a garantia.
- O ar quente sai pela saída de ar quando a unidade está a ser utilizada. Para evitar ferimentos, mantenha sempre as mãos e o rosto afastados das aberturas e saídas de ar.
- Para evitar ferimentos, tenha cuidado ao abrir a gaveta do aparelho.
- Se começar a sair fumo do aparelho, desligue-o imediatamente da tomada e disperse o fumo antes de abrir a gaveta.



- Certifique-se de que os alimentos não sobressaem dos lados da gaveta do aparelho. O enchimento da gaveta para além da sua capacidade pode provocar ferimentos pessoais, danos no aparelho e anular a garantia.
- Nunca encher o aparelho com óleo. Se o fizer, pode causar ferimentos pessoais, danos no aparelho e anular a garantia.

### Funções do produto

A fritadeira de ar quente ABB-G24 da 4Swiss faz circular ar ultra-quente à volta dos alimentos, eliminando a necessidade de utilizar o óleo que seria normalmente utilizado. A entrada intensiva de ar quente garante refeições mais saudáveis, ao mesmo tempo que proporciona um excelente sabor aos alimentos, que ficam deliciosamente estaladiços no exterior e perfeitamente cozinhados no interior. Batatas fritas estaladiças, legumes, frango, peixe, bifés e muito mais estarão à distância de um braço, além de que o aparelho é fácil de manter, rápido de limpar e não deixa a típica sujidade gordurosa.

O aparelho está equipado com um elemento de aquecimento de halogéneo único e altamente eficaz que aquece e ilumina os alimentos no interior da gaveta de cozedura durante o funcionamento. O halogéneo é controlado pelo circuito do termóstato e não funciona continuamente. Assim, o efeito de iluminação visual só pode ser observado durante o ciclo de aquecimento do halogéneo. Durante o funcionamento, o halogéneo liga-se e desliga-se em intervalos variáveis (em função da temperatura), o que é intencional e constitui o modo correto de funcionamento do aparelho.

Porque a segurança e a satisfação do utilizador são a nossa principal prioridade, o dispositivo foi construído de acordo com os mais elevados padrões de segurança e funcionalidade.

### Parâmetros técnicos

Nome do produto: Fritadeira de ar inteligente

Modelo do produto: ABB-G24

Capacidade da gaveta: 3L

Tensão nominal: 220V

Frequência nominal: 50Hz

Potência nominal: 1200W

### Descrição da unidade principal

Ilustração n.º 1

1. Escudo térmico
2. Prato de fritar
3. Pega da gaveta
4. Corpo da gaveta em vidro
5. Painel tátil
6. Entrada de ar
7. Saída de ar quente
8. Cabo de alimentação

### Descrição do painel de controlo

Ilustração n.º 2

1. Asas - 180°C - 15 min
2. Coxa - 180°C - 25 min
3. Espetadas - 180°C - 20 min
4. Bife - 180°C - 12 min
5. Camarão - 170°C - 10 min
6. Peixe - 180°C - 15 min
7. Batatas fritas - 180°C - 18 min
8. Bolo - 160°C - 20 min
9. Inhamo - 180°C - 35 min
10. Tortas de ovo - 160°C - 12 min
11. Castanha - 180°C - 20 min
12. Descongelação - 80°C - 25 min
13. Tecla (-)
14. Ecrã digital
15. Indicador de temperatura
16. Indicador de tempo

17. Tecla (+)
18. Tecla PRE-SET
19. Tecla HORA/TEMPO
20. Tecla MENU
21. Tecla START/CANCEL

## Preparação para utilização

1. Retirar todos os materiais de embalagem.
2. Limpe o grelhador e a gaveta de vidro com água quente, detergente e uma esponja não abrasiva. Os componentes de vidro não podem ser limpos numa máquina de lavar louça.
3. Limpar o interior e o exterior do produto com um pano húmido.
4. Colocar este produto numa superfície estável e plana. Deve ser reservado espaço suficiente à volta do produto para garantir uma distância de, pelo menos, 10 cm entre a superfície e outros objectos. Não devem ser colocados objectos na entrada ou saída de ar. Não coloque o produto numa superfície que não seja resistente ao calor.

## Configuração e primeira utilização

1. Colocar a placa de fritura na gaveta e colocar os alimentos sobre ela. Em seguida, deslize a gaveta para dentro da caixa principal até estar completamente fechada.
2. Ligue o aparelho e regule o tempo e a temperatura desejados manualmente utilizando o painel de controlo ou seleccione o programa predefinido desejado.
3. Prima a tecla START/STOP para iniciar a cozedura. Para mais informações sobre a definição do tempo e da temperatura, consulte a subsecção "Controlos e funcionamento".
4. Se necessário, agite ou vire os alimentos na gaveta. Para o efeito, faça deslizar a gaveta para fora e vire ou agite cuidadosamente os alimentos. Deslize a gaveta de volta para dentro da caixa até que esteja completamente fechada. O aparelho memoriza a hora e as definições e continua automaticamente a partir do momento em que a cozedura foi interrompida.

**Nota:** Pode sentir um cheiro estranho quando o utilizar pela primeira vez. Este facto é normal e não constitui um defeito do produto. Nunca deite óleo ou gordura na airfryer.

## Utilização da proteção térmica

O aparelho está equipado com uma proteção térmica que separa as partes quentes da taça de vidro e protege o utilizador de queimaduras. A proteção é fácil de retirar para uma lavagem adequada da gaveta de vidro. Utilize sempre a proteção térmica para evitar o risco de queimaduras acidentais.

## Controlos e funcionamento

### Programas predefinidos

Prima a tecla MENU no modo de espera para seleccionar 12 programas predefinidos. No ecrã digital aparecem os números de 01 a 12. Depois de escolher o programa, prima a tecla START/STOP para iniciar a cozedura; prima novamente esta tecla para fazer uma pausa. Nesse momento, o ecrã apresenta o número do menu atual e a ventoinha pára de funcionar após 10 segundos. Utilize as teclas +/- para regular a temperatura/tempo. Prima a tecla MENU durante 2 segundos para voltar ao número de menu configurável. Prima e mantenha premido o botão START/STOP durante 2 segundos no estado de funcionamento para regressar ao estado de espera.

**Nota:** O aparelho possui uma memória de programas. A abertura da gaveta de vidro interrompe a função de aquecimento, mas quando a gaveta é reintroduzida, o aparelho continua a funcionar com as definições anteriores e com o programa selecionado.

### Funcionamento manual

Quando a tecla TIME/TEMP é premida, a temperatura no ecrã pisca, indicando que a temperatura pode ser definida; quando a tecla é novamente premida, a hora definida pisca, indicando que a hora pode ser definida. Ao definir a temperatura, clique nas teclas +/- para aumentar ou diminuir 5°C, e prima longamente as teclas +/- para aumentar ou diminuir rapidamente 5°C. Quando ajustar a hora, clique nas teclas +/- para aumentar ou diminuir 1 minuto, e prima longamente as teclas +/- para aumentar ou diminuir rapidamente 1 minuto.

### Tecla PRE-SET

Prima a tecla MENU para seleccionar o programa predefinido e, em seguida, prima a tecla PRE-SET para seleccionar uma hora de início retardado. A hora no ecrã piscará, utilize as teclas +/- para definir a hora entre 1h - 18h. Prima a tecla START/STOP para iniciar a contagem decrescente. Durante a contagem decrescente, os botões da unidade ficam bloqueados. Para parar a contagem decrescente, prima longamente a tecla START/STOP.

**Nota:** As definições de temperatura e tempo das receitas seguintes servem apenas de referência. Ajuste as definições de acordo com o tamanho real da refeição, corrigindo você mesmo a temperatura e o tempo.

## Limpeza e manutenção

Deixe o aparelho arrefecer completamente antes de o limpar. Utilize um pano limpo e húmido para limpar o exterior do aparelho.

Lavar a gaveta com água quente, detergente e uma esponja não abrasiva. A placa de fritura pode ser lavada na máquina de lavar louça. A placa de fritura tem um revestimento cerâmico antiaderente; não utilize objectos metálicos ou produtos de limpeza abrasivos para a limpar. Se houver resíduos de alimentos ou outros detritos na cavidade da caixa, retire-os com um pano húmido e limpo e, em seguida, seque a área com um pano limpo e seco.

**Nota:** Utilize talheres ou pinças de metal com cuidado, evitando o contacto direto com a superfície do tabuleiro. Não utilizar produtos de limpeza abrasivos (escova de arame, esponjas abrasivas, ferramentas de metal, etc.) para a limpeza.

## Resolução de problemas

Os problemas que se seguem não significam necessariamente que o dispositivo esteja avariado. Leia a secção seguinte para conhecer soluções simples para os problemas mais comuns.

### Problema 1

A luz no interior da unidade liga-se e desliga-se periodicamente.

#### Informações:

O elemento de aquecimento de halogéneo é controlado pelo circuito do termóstato e não funciona continuamente. Durante o funcionamento, o halogéneo liga-se e desliga-se a intervalos variáveis (em função da temperatura), o que é intencional e correto.

### Problema 2

A comida é cozinhada de forma irregular.

#### Causa possível:

Alguns alimentos precisam de ser virados ou agitados durante a cozedura.

#### Solução:

Enquanto o aparelho está a funcionar, puxe a gaveta para fora e agite o conteúdo ou vire os alimentos com um garfo ou uma pinça.

### Problema 3

Durante o processo de cozedura, sai fumo branco do aparelho.

#### Causa possível:

Acumulação de gordura/óleo na gaveta do aparelho.

#### Solução:

Certificar-se de que não se acumulam gorduras ou óleos na gaveta. Limpar a gaveta e a placa da fritadeira de cada vez que cozinhar.

### Problema 4

A gaveta não desliza para o seu lugar.

#### Causa possível:

A gaveta está demasiado cheia.

#### Solução:

Não encher a gaveta para além da sua capacidade. Os alimentos não devem ultrapassar a parte superior da gaveta.

## Termos e condições da garantia

1. A garantia cobre apenas os defeitos latentes imputáveis ao fabricante.
2. A reclamação será processada pelo ponto de venda ou pelo serviço técnico no âmbito da garantia, se o cliente a apresentar:
  - a. um cartão de garantia válido e claro, devidamente preenchido com um carimbo de venda e a assinatura do vendedor,
  - b. uma prova de compra válida com a data de venda,
  - c. o produto ou a peça defeituosa comunicada. No caso de uma compra à distância, o cartão de garantia é válido apenas com a prova de compra (recibo/fatura).
3. A reclamação é resolvida no prazo de 14 dias após a comunicação do Cliente.
4. Os defeitos de fabrico identificados durante o período de garantia devem ser reparados gratuitamente no prazo de 21 dias após a entrega do produto no ponto de venda ou no serviço técnico.
5. Se for necessário importar peças para a reparação, o período de reparação da garantia pode ser prolongado pelo tempo necessário para importar a peça, não mais de 40 dias.
6. Exclusões da garantia:
  - a. danos mecânicos e defeitos conexos,

- b. danos e defeitos resultantes de uma utilização incorrecta e de um armazenamento, montagem e manutenção inadequados,
  - c. danos e desgaste desses elementos consumíveis,
  - d. actividades relacionadas com a montagem ou manutenção que são da obrigação do utilizador, em conformidade com o manual.
7. A garantia não se aplica quando
- a. o prazo de validade já expirou,
  - b. o Cliente reparou ou modificou o produto utilizando peças não genuínas,
  - c. o defeito resultou de uma instalação incorrecta ou do não cumprimento das regras de funcionamento correto previstas no manual,
  - d. o produto é utilizado para outros fins que não o uso doméstico,
  - e. danos ocorridos durante o transporte.
8. Não são emitidos duplicados do cartão de garantia.
9. O cliente tem direito às seguintes indemnizações gratuitas:
- a. reparação de produtos,
  - b. substituição do produto,
  - c. preço reduzido,
  - d. rescisão de um contrato e indemnização integral dos custos.
10. Para comunicar um sinistro:
- a. Apresentar o produto ou a sua parte comunicada.
  - b. Apresentar a prova de compra com o nome e o endereço do vendedor, a data e o local de compra, o tipo de produto ou o cartão de garantia válido com um carimbo do ponto de venda.
  - c. Se o produto for entregue sujo, o serviço técnico pode recusar-se a aceitá-lo ou limpá-lo a expensas do cliente, após a sua autorização por escrito.
11. Se a reclamação for aceite, o aparelho é reparado ou substituído por um novo, ou o cliente é reembolsado. Os custos de transporte a partir do serviço do fabricante cobrem o serviço.
12. Se a reclamação for rejeitada, é fornecida ao Cliente uma justificação pormenorizada da decisão e o equipamento é-lhe enviado, a expensas suas, no prazo de 14 dias a contar da comunicação da decisão.

### **Utilização**

Tratamento dos resíduos de equipamentos eléctricos e electrónicos em fim de vida (legislação REEE).

A marcação na embalagem, nos acessórios ou no manual de instruções indica que os equipamentos em fim de vida e os acessórios electrónicos que os acompanham não devem ser colocados nos contentores de resíduos urbanos juntamente com outros resíduos domésticos.

O manuseamento incorreto dos resíduos electrónicos pode resultar na entrada de contaminantes no ambiente ou em riscos para a saúde devido a uma eliminação inadequada. Separe estes resíduos de outros resíduos e recicle-os para que as matérias-primas possam ser reutilizadas. A reciclagem permite a reutilização das matérias-primas.

## Instrucțiuni de siguranță și notificare

Vă rugăm să citiți cu atenție acest manual pentru a înțelege mai bine modul de utilizare a produsului. În timpul utilizării, trebuie respectate unele sfaturi esențiale de siguranță, inclusiv următoarele.

- Aparatul gătește alimentele cu ajutorul aerului cald, fără a folosi ulei. Nu turnați niciodată ulei în aparat. Acest lucru poate provoca incendii, vătămări corporale, deteriorarea aparatului și anularea garanției.
- Vă recomandăm să conectați aparatul la rețeaua electrică fără a utiliza prelungitoare. Cablul de alimentare scurt este conceput special ca măsură de siguranță pentru a reduce riscul ca copiii să apuce sau să se joace cu cablul și pentru a proteja utilizatorul de împiedicarea de un cablu de alimentare lung.
- Acest dispozitiv este destinat exclusiv utilizării în interior. Nu utilizați niciodată dispozitivul în aer liber.
- Dispozitivul se încălzește în timpul funcționării. Fiți prudent atunci când manipulați dispozitivul și accesoriile pentru a evita arsurile sau rănilile.
- Înainte de utilizare, asigurați-vă că dispozitivul este așezat pe o suprafață plană, curată și uscată.
- Așezați dispozitivul în afara razei de acțiune a copiilor sau a oricărei persoane ale căror capacități fizice, senzoriale sau mentale le-ar putea împiedica să îl utilizeze în siguranță.
- Pentru a elimina riscul de sufocare de către copiii mici, îndepărtați și aruncați foliile de protecție și ambalajele de plastic ale accesoriilor din dispozitiv.
- Nu așezați aparatul în apropierea arzătoarelor fierbinți cu gaz, ceramice, cu inducție sau electrice. Acest lucru poate provoca vătămări corporale, deteriorarea aparatului și anularea garanției.
- Pentru a preveni șocurile electrice, nu scufundați niciodată cablul de alimentare al dispozitivului în apă sau în alt lichid. Nu clătiți carcasa dispozitivului folosind apă sau orice alt lichid. Acest lucru poate provoca vătămări corporale, deteriorarea dispozitivului și anularea garanției.
- Fiți extrem de precauți atunci când manipulați alimente și suprafețe fierbinți.
- Nu mutați dispozitivul în timp ce este pornit și în funcțiune. Acest lucru poate provoca vătămări corporale, deteriorarea dispozitivului și anularea garanției.
- Placa de prăjire, suportul de oțel și frigăruiile pot fi foarte fierbinți în timpul și după prăjire. Folosiți mănuși de cuptor pentru a evita arsurile.
- Inspectați periodic aparatul, cablul de alimentare și fișa acestuia. Nu utilizați aparatul dacă cablul de alimentare sau ștecherul sunt deteriorate. În cazul în care dispozitivul funcționează defectuos sau este deteriorat în orice mod, contactați Centrul de asistență pentru clienți 4Swiss.
- Dispozitivul este destinat exclusiv utilizării la domiciliu. Nu utilizați niciodată dispozitivul ca echipament profesional de catering sau în alt scop decât cel pentru care a fost conceput. Procedând astfel, puteți deteriora dispozitivul și anula garanția.
- Nu utilizați detergenți abrazivi, vată de oțel sau detergenți pentru a curăța dispozitivul. Consultați secțiunea "Curățare și întreținere" pentru mai multe informații.
- Pentru a evita rănirea, nu trageți cablul peste marginea blatului.
- Nu acoperiți intrările/ieșirile de aer de pe partea din spate a aparatului atunci când acesta este în funcțiune. Acest lucru poate cauza o gătire neuniformă și deteriorarea dispozitivului.
- Nu conectați dispozitivul la un temporizator extern sau la un sistem de telecomandă separat.
- Lăsați un spațiu liber de cel puțin 10 cm în jurul aparatului pentru o bună circulație a aerului.
- Nu utilizați aparatul sau accesoriile sale într-un cuptor cu microunde, cuptor cu prăjitor de pâine, cuptor cu convecție, cuptor cu gaz, cuptor electric sau pe un aragaz sau grătar ceramic, electric, cu gaz sau cu inducție. Acest lucru poate provoca vătămări corporale, deteriorarea dispozitivului și anularea garanției.
- Asigurați-vă că dispozitivul este curat înainte de utilizare. Țineți cablul de alimentare departe de suprafețele fierbinți.
- Dispozitivul este echipat cu o fișă cu împământare cu 3 fire. Conectați întotdeauna cablul de alimentare la o priză electrică cu împământare.
- Scoateți aparatul din priză și lăsați-l să se răcească înainte de a-l curăța sau depozita.
- Nu încălziți conservele de alimente sigilate în aparat. Acest lucru poate provoca vătămări corporale, deteriorarea aparatului și anularea garanției.
- Nu introduceți în aparat alimente în recipiente care nu sunt adecvate pentru temperaturi ridicate, cum ar fi pungii de plastic, recipiente din polistiren, ambalaje din plastic și hârtie. Este permisă utilizarea pungilor speciale și a manșoanelor de coacere, dar acestea trebuie utilizate cu precauție deosebită. Rețineți că manșonul de coacere își mărește volumul în timpul coacerii și este imperativ să vă asigurați că manșonul nu atinge încălzitorul cu halogen și capacul acestuia.
- Utilizați dispozitivul numai cu accesorii de la marca 4Swiss. Utilizarea accesoriilor de la terți poate deteriora dispozitivul și anula garanția.
- Nu așezați dispozitivul pe sau în apropierea unor suprafețe/materiale inflamabile, cum ar fi perne, fețe de masă sau perdele. Acest lucru poate provoca vătămări corporale, deteriorarea dispozitivului și anularea garanției.
- Aerul cald iese prin ieșirea de aer atunci când aparatul este în funcțiune. Pentru a evita rănirea, țineți-vă întotdeauna mâinile la față departe de orificiile de aerisire și de ieșirile de aer.
- Pentru a evita rănirea, aveți grijă când deschideți sertarul dispozitivului.
- Dacă începe să iasă fum din aparat, scoateți-l imediat din priză și dispersați fumul înainte de a deschide sertarul.

- Asigurați-vă că alimentele nu depășesc părțile laterale ale sertarului aparatului. Umplerea sertarului peste capacitatea sa poate duce la vătămări corporale, la deteriorarea dispozitivului și la anularea garanției.
- Nu umpleți niciodată dispozitivul cu ulei. Acest lucru poate provoca vătămări corporale, deteriorarea dispozitivului și anularea garanției.

### Funcțiile produsului

Prăjitorul cu aer 4Swiss ABB-G24 face să circule aerul ultra-încălzit în jurul alimentelor, eliminând astfel nevoia de a folosi uleiul care ar fi folosit în mod obișnuit. Afluxul intens de aer cald asigură mese mai sănătoase, oferind în același timp un gust deosebit al alimentelor care devin delicios de crocante la exterior și perfect gătite în interior. Cartofii prăjiți crocanți, legumele, puiul, peștele, fripturile și multe altele vor fi la îndemâna oricui, în plus, dispozitivul este ușor de întreținut, se curăță rapid și nu prezintă mizeria tipică de grăsime.

Aparatul este echipat cu un element de încălzire cu halogen unic, foarte eficient, care încălzește și luminează alimentele din interiorul sertarului de gătit în timpul funcționării. Halogenul este controlat de circuitul termostatului și nu funcționează continuu. Astfel, efectul de iluminare vizuală poate fi observat doar în timpul ciclului de încălzire cu halogen. În timpul funcționării, halogenul se aprinde și se stinge la intervale variabile (în funcție de temperatură), ceea ce este intenționat și reprezintă modul corect de funcționare a dispozitivului.

Deoarece siguranța și satisfacția utilizatorului sunt prioritatea noastră principală, dispozitivul este construit la cele mai înalte standarde de siguranță și funcționalitate.

### Parametrii tehnici

Numele produsului: Smart airfryer

Model de produs: ABB-G24

Capacitate sertar: 3L

Tensiune nominală: 220V

Frecvența nominală: 50Hz

Putere nominală: 1200W

### Descrierea unității principale

Ilustrația nr. 1

1. Scut termic
2. Placă de prajire
3. Mâner de sertar
4. Corp de sertar din sticlă
5. Panou tactil
6. Intrarea aerului
7. Ieșire de aer cald
8. Cablu de alimentare

### Descrierea panoului de control

Ilustrația nr. 2

1. Aripioare - 180°C - 15 min
2. Mușchiuleț de tobă - 180°C - 25 min
3. Costițe - 180°C - 20 min.
4. Friptură - 180°C - 12 min
5. Creveți - 170°C - 10 min
6. Pește - 180°C - 15 min
7. Chipsuri - 180°C - 18 min
8. Prăjitură - 160°C - 20 min
9. Igname - 180°C - 35 min.
10. Tarte cu ouă - 160°C - 12 min
11. Castane - 180°C - 20 min
12. Dezghețare - 80°C - 25 min.
13. Tasta (-)
14. Afișaj digital
15. Indicator de temperatură
16. Indicator de timp

17. Tasta (+)
18. Tasta PRE-SET
19. Tasta TIME/TEMP
20. Tasta MENU
21. Tasta START/CANCEL

### Pregătirea pentru utilizare

1. Îndepărtați toate materialele de ambalare.
2. Curățați grătarul și sertarul de sticlă cu apă caldă, detergent și un burete neabraziv. Componentele din sticlă nu pot fi curățate în mașina de spălat vase.
3. Ștergeți interiorul și exteriorul produsului cu o cârpă umedă.
4. Așezați acest produs pe o suprafață stabilă și plată. Trebuie rezervat suficient spațiu în jurul produsului pentru a se asigura că există o distanță de cel puțin 10 cm între suprafață și alte obiecte. Niciun obiect nu trebuie să fie plasat în zona de intrare sau ieșire a aerului. Nu așezați produsul pe o suprafață care nu este rezistentă la căldură.

### Configurare și prima utilizare

1. Așezați placa de prăjit în sertar și așezați mâncarea pe ea. Apoi glišați sertarul în carcasa principală până când este complet închis.
2. Conectați aparatul și setați manual timpul și temperatura dorite cu ajutorul panoului de control sau selectați programul predefinit dorit.
3. Apăsăți tasta START/STOP pentru a începe coacerea. Pentru mai multe informații despre setarea timpului și a temperaturii, consultați subsecțiunea "Comenzi și funcționare".
4. Agițați sau întoarceți alimentele din sertar, dacă este necesar. Pentru a face acest lucru, glišați sertarul și rotiți sau scuturați cu atenție alimentele. Glišați sertarul înapoi în carcasă până când acesta este complet închis. Aparatul va reține ora și setările și va continua automat din momentul în care a fost întreruptă gătitul.

**Notă:** Este posibil să simțiți un miros ciudat atunci când îl utilizați pentru prima dată. Acest lucru este normal și nu este un defect al produsului. Nu turnați niciodată ulei sau grăsime în airfryer.

### Utilizarea scutului termic

Aparatul este echipat cu un scut termic care separă părțile fierbinți ale bolului de sticlă și protejează utilizatorul de arsuri. Scutul este ușor de îndepărtat pentru spălarea corespunzătoare a sertarului de sticlă. Utilizați întotdeauna scutul termic pentru a evita riscul de arsuri accidentale.

### Comenzi și funcționare

#### Programe predefinite

Apăsăți tasta MENU în modul standby pentru a selecta 12 programe predefinite. Ecranul digital va afișa numerele de la 01 la 12. După alegerea programului, apăsați tasta START/STOP pentru a începe coacerea; apăsați din nou această tastă pentru a face o pauză. În acest moment, pe ecranul de afișare clipește numărul actual al meniului, iar ventilatorul se oprește din funcționare după 10 secunde. Folosiți tastele +/- pentru a seta temperatura/timpul. Apăsăți tasta MENU timp de 2 secunde pentru a reveni la numărul de meniu setat. Țineți apăsat butonul START/STOP timp de 2 secunde în starea de lucru pentru a reveni la starea de așteptare.

**Notă:** Aparatul are o memorie de program. Deschiderea sertarului de sticlă întrerupe funcția de încălzire, dar când sertarul este reintrodus, aparatul continuă să opereze setările anterioare și programul selectat.

#### Operare manuală

Când se apasă tasta TIME/TEMP, temperatura de pe ecran clipește, indicând că temperatura poate fi setată; când tasta este apăsată din nou, ora setată clipește, indicând că ora poate fi setată. Atunci când setați temperatura, faceți clic pe tastele +/- pentru a crește sau a scădea cu 5 °C și apăsați lung tastele +/- pentru a crește sau a scădea rapid cu 5 °C. La setarea orei, faceți clic pe tastele +/- pentru a mări sau a micșora 1 minut și apăsați lung tastele +/- pentru a mări sau a micșora rapid 1 minut.

#### Tasta PRE-SET

Apăsăți tasta MENU pentru a selecta programul predefinit, apoi apăsați tasta PRE-SET pentru a selecta o oră de pornire întârziată. Ora de pe ecran va clipi, utilizați tastele +/- pentru a seta ora între 1h - 18h. Apăsăți tasta START/STOP pentru a începe numărătoarea inversă. În timpul numărătorii inverse, butoanele unității vor fi blocate. Pentru a opri numărătoarea inversă, apăsați lung tasta START/STOP.

**Notă:** Setările de temperatură și timp ale următoarelor rețete sunt doar de referință. Ajustați setările la dimensiunea reală a mesei, corectând dumneavoastră temperatura și timpul.

## Curățare și întreținere

Lăsați aparatul să se răcească complet înainte de a-l curăța. Folosiți o cârpă curată și umedă pentru a șterge exteriorul dispozitivului.

Spălați sertarul cu apă caldă, detergent și un burete neabraziv. Placa de prăjire poate fi spălată în mașina de spălat vase. Placa de prăjit are un strat ceramic antiaderent; nu folosiți obiecte metalice sau detergenți abrazivi pentru a le curăța. Dacă în cavitatea carcasa există reziduuri de alimente sau alte resturi, îndepărtați-le cu o cârpă umedă și curată, apoi uscați zona cu o cârpă curată și uscată.

**Notă:** Folosiți cu grijă tacămurile sau cleștele de metal, evitând contactul direct cu suprafața tăvii. Nu utilizați detergenți abrazivi (perii de sârmă, bureți abrazivi, unelte metalice etc.) pentru curățare.

## Depanare

Următoarele probleme nu înseamnă neapărat că dispozitivul este defect. Vă rugăm să citiți următoarea secțiune pentru a afla soluții simple la cele mai frecvente probleme.

### Problema 1

Lumina din interiorul unității se aprinde și se stinge periodic.

#### Informații:

Elementul de încălzire cu halogen este controlat de circuitul termostatului și nu funcționează continuu. În timpul funcționării, halogenul se aprinde și se stinge la intervale variabile (în funcție de temperatură), ceea ce este intenționat și corect.

### Problema 2

Mâncarea este gătită neuniform.

#### Cauza posibilă:

Unele alimente trebuie să fie întoarse sau agitate în timpul gătitului.

#### Soluție:

În timp ce aparatul funcționează, scoateți sertarul și agitați conținutul sau întoarceți alimentele cu o furculiță sau un clește.

### Problema 3

Din aparat iese fum alb în timpul procesului de gătire.

#### Cauza posibilă:

S-a acumulat grăsime/ulei în sertarul dispozitivului.

#### Soluție:

Asigurați-vă că în sertar nu s-a acumulat grăsime sau ulei. Curățați sertarul și placa de prăjire de fiecare dată după ce ați gătit.

### Problema 4

Sertarul nu alunecă în poziție.

#### Cauza posibilă:

Sertarul este prea plin.

#### Soluție:

Nu umpleți sertarul peste capacitatea sa. Alimentele nu trebuie să ajungă deasupra părții superioare a sertarului.

## Termeni și condiții de garanție

1. Garanția acoperă numai viciile ascunse care pot fi atribuite producătorului.
2. Revendicarea se procesează de către punctul de vânzare sau serviciul tehnic în cadrul garanției, dacă clientul prezintă:
  - a. un card de garanție valabil și clar, completat în mod corespunzător, cu ștampila de vânzare și semnătura vânzătorului,
  - b. o dovadă de achiziție valabilă cu data vânzării,
  - c. produsul sau piesa defectă raportată. În cazul unei achiziții de la distanță, cardul de garanție este valabil numai cu dovada de cumpărare (chitanță/factură).
3. Revendicarea este soluționată în termen de 14 zile de la raportarea de către client.
4. Defectele de fabricație identificate în perioada de garanție sunt reparate gratuit în termen de 21 de zile de la livrarea produsului la punctul de vânzare sau la serviciul tehnic.
5. În cazul în care este necesar să se importe piese pentru reparații, perioada de reparații în garanție poate fi prelungită cu timpul necesar pentru a importa piesele, dar nu mai mult de 40 de zile.
6. Excluderi din garanție:
  - a. deteriorări mecanice și defecte conexe,
  - b. deteriorări și defecte care rezultă din utilizarea greșită și depozitarea, asamblarea și întreținerea necorespunzătoare,
  - c. deteriorarea și uzura acestor elemente consumabile,



- d. activități legate de asamblare sau întreținere care sunt obligația utilizatorului în conformitate cu manualul.
- 7. Garanția nu se aplică în cazul în care:
  - a. a depășit perioada de valabilitate,
  - b. clientul a reparat sau a modificat produsul folosind piese care nu sunt de origine,
  - c. defectul a fost cauzat de o instalare incorectă sau de nerespectarea regulilor de funcționare corectă din manual,
  - d. produsul este utilizat în alte scopuri decât cel casnic,
  - e. deteriorări survenite în timpul transportului.
- 8. Nu se eliberează duplicate ale cardului de garanție.
- 9. Clientul are dreptul la următoarele compensații gratuite:
  - a. repararea produsului,
  - b. înlocuirea produsului,
  - c. preț redus,
  - d. rezilierea unui contract și compensarea integrală a costurilor.
- 10. Pentru a raporta o cerere de despăgubire:
  - a. Prezențați produsul sau partea sa raportată.
  - b. Prezențați dovada de achiziție cu numele și adresa vânzătorului, data și locul achiziției, tipul de produs sau un card de garanție valabil cu ștampila punctului de vânzare.
  - c. În cazul în care produsul este livrat murdar, serviciul tehnic poate refuza să îl accepte sau îl poate curăța pe cheltuiala clientului în urma aprobării sale scrise.
- 11. În cazul în care reclamația este acceptată, dispozitivul este reparat sau înlocuit cu unul nou, sau clientul este rambursat. Costurile de transport de la service-ul producătorului acoperă service-ul.
- 12. În cazul în care cererea este respinsă, clientului i se furnizează o justificare detaliată a deciziei, iar echipamentul îi este trimis pe cheltuiala sa în termen de 14 zile de la comunicarea deciziei.

### Utilizare

Manipularea deșeurilor de echipamente electrice și electronice scoase din uz (legislația DEEE).

Marcajul de pe ambalaj, accesorii sau manualul de instrucțiuni indică faptul că echipamentele scoase din uz și accesoriile electronice atașate nu trebuie să fie introduse în containerele municipale de deșeurii împreună cu alte deșeurii menajere.

Manipularea necorespunzătoare a deșeurilor electronice poate duce la contaminarea mediului sau la riscuri pentru sănătate din cauza eliminării necorespunzătoare. Separați aceste deșeurii de alte deșeurii și reciclați-le, astfel încât materiile prime să poată fi reutilizate. În cazul reciclării, acestea permit reutilizarea materiilor prime.

## Bezpečnostné pokyny a upozornenia

Pozorne si prečítajte túto príručku, aby ste lepšie pochopili, ako výrobok používať. Počas používania je potrebné dodržiavať niektoré základné bezpečnostné pokyny vrátane nasledujúcich.

- Spotrebič pripravuje jedlo pomocou horúceho vzduchu bez použitia oleja. Do prístroja nikdy nelejte olej. Môže to spôsobiť požiar, zranenie osôb, poškodenie prístroja a stratu záruky.
- Odporúčame, aby ste zariadenie pripojili k elektrickej sieti bez použitia predlžovacích káblov. Krátky napájací kábel je špeciálne navrhnutý ako bezpečnostné opatrenie na zníženie rizika, že deti uchopia kábel alebo sa s ním budú hrať, a na ochranu používateľa pred zakopnutím o dlhý napájací kábel.
- Toto zariadenie je určené len na používanie v interiéri. Zariadenie nikdy nepoužívajte vo vonkajšom prostredí.
- Zariadenie sa počas prevádzky zahrieva. Pri manipulácii so zariadením a príslušenstvom buďte opatrní, aby ste sa vyhlí popáleninám alebo zraneniam.
- Pred použitím sa uistite, že je zariadenie umiestnené na rovnom, čistom a suchom povrchu.
- Zariadenie umiestnite mimo dosahu detí alebo osôb, ktorým by fyzické, zmyslové alebo mentálne schopnosti mohli brániť v bezpečnom používaní.
- Aby ste eliminovali riziko zadusenia malými deťmi, odstráňte a zlikvidujte zo zariadenia ochranné fólie a plastové obaly príslušenstva.
- Prístroj neumiestňujte do blízkosti horúcich plynových, keramických, indukčných alebo elektrických horákov. Môže to spôsobiť zranenie osôb, poškodenie zariadenia a stratu záruky.
- Aby ste zabránili úrazu elektrickým prúdom, nikdy neponárajte napájací kábel zariadenia do vody alebo inej kvapaliny. Kryt zariadenia neoplachujte vodou ani inou tekutinou. Môže to spôsobiť zranenie osôb, poškodenie zariadenia a stratu záruky.
- Pri manipulácii s horúcimi potravinami a horúcimi povrchmi dbajte na zvýšenú opatrnosť.
- Nepohybujte zariadením, keď je zapnuté a v prevádzke. Môže to spôsobiť zranenie osôb, poškodenie zariadenia a stratu záruky.
- Fritovacia doska, oceľový stojan a špižy môžu byť počas vyprážania a po ňom veľmi horúce. Aby ste sa vyhlí popáleninám, používajte kuchynské rukavice.
- Zariadenie, jeho napájací kábel a zástrčku pravidelne kontrolujte. Ak je napájací kábel alebo zástrčka poškodená, zariadenie nepoužívajte. Ak zariadenie nefunguje správne alebo je akokoľvek poškodené, obráťte sa na zákaznícke centrum 4Swiss.
- Zariadenie je určené len na domáce použitie. Zariadenie nikdy nepoužívajte ako profesionálne gastronomické zariadenie alebo na iné účely, než na ktoré je určené. Takýto postup môže spôsobiť poškodenie zariadenia a stratu záruky.
- Na čistenie zariadenia nepoužívajte abrazívne čistiace prostriedky, oceľovú vlnu ani drhnúce prostriedky. Ďalšie informácie nájdete v časti "Čistenie a údržba".
- Aby ste sa vyhlí zraneniu, neťahajte šnúru za okraj pracovnej dosky.
- Počas prevádzky nezakrývajte vstupy/výstupy vzduchu na zadnej strane zariadenia. Môže to spôsobiť nerovnomerné varenie a poškodenie zariadenia.
- Zariadenie nepripájajte k externému časovaču alebo samostatnému systému diaľkového ovládania.
- Okolo zariadenia nechajte minimálne 10 cm voľného priestoru na správnu cirkuláciu vzduchu.
- Zariadenie ani jeho príslušenstvo nepoužívajte v mikrovlnnej rúre, hriankovači, konvektomate, plynovej rúre, elektrickej rúre ani na keramickej, elektrickej, plynovej alebo indukčnej varnej doske alebo grile. Môže to spôsobiť zranenie osôb, poškodenie zariadenia a stratu záruky.
- Pred použitím sa uistite, že je zariadenie čisté. Napájací kábel udržiajte mimo horúcich povrchov.
- Zariadenie je vybavené 3-vodičovou uzemnenou zástrčkou. Napájací kábel vždy zapájajte do uzemnenej elektrickej zásuvky.
- Pred čistením alebo skladovaním odpojte zariadenie od elektrickej siete a nechajte ho vychladnúť.
- V prístroji neohrievajte uzavreté konzervy s potravinami. Môže to spôsobiť zranenie osôb, poškodenie zariadenia a stratu záruky.
- Do spotrebiča nekladajte potraviny v nádobách, ktoré nie sú vhodné pre vysoké teploty, ako sú plastové vrecká, polystyrénové nádoby, plastové a papierové obaly. Použitie špeciálnych vreciek a nálevkov na pečenie je povolené, ale musia sa používať so zvláštnou opatrnosťou. Majte na pamäti, že rukav na pečenie počas pečenia zväčšuje svoj objem a je nevyhnutné zabezpečiť, aby sa rukav nedotýkal halogénového ohrievača a jeho krytu.
- Zariadenie používajte len s príslušenstvom značky 4Swiss. Používanie príslušenstva tretích strán môže poškodiť zariadenie a viesť k strate záruky.
- Zariadenie neumiestňujte na horľavé povrchy/materiály, ako sú vankúše, obrusy alebo závesy, ani do ich blízkosti. Môže to spôsobiť zranenie osôb, poškodenie zariadenia a stratu záruky.
- Počas používania jednotky uniká horúci vzduch cez výstup vzduchu. Aby ste predišli poraneniu, vždy držte ruky a tvár mimo vetracích otvorov a výstupov vzduchu.
- Aby ste predišli zraneniu, pri otváraní zásuvky zariadenia buďte opatrní.
- Ak začne zo zariadenia vychádzať dym, okamžite ho odpojte zo zásuvky a pred otvorením zásuvky dym rozptýľte.
- Dbajte na to, aby potraviny nevyčnievali cez boky zásuvky zariadenia. Naplnenie zásuvky nad jej kapacitu môže mať za následok zranenie osôb, poškodenie zariadenia a stratu záruky.

- Prístroj nikdy nenapĺňajte olejom. Môže to spôsobiť zranenie osôb, poškodenie zariadenia a stratu záruky.

## Funkcie produktu

Vzduchová fritéza 4Swiss ABB-G24 cirkuluje okolo potravín veľmi horúci vzduch, čím sa eliminuje potreba použitia oleja, ktorý sa zvyčajne používa. Intenzívne prúdenie horúceho vzduchu zabezpečuje zdravšie jedlá a zároveň prináša skvelú chuť potravín, ktoré sú zvonka ľahodne chrumkavé a zvnútra dokonale prepečené. Chrumkavé hranolčeky, zelenina, kuracie mäso, ryby, steaky a ďalšie pokrmy budú na dosah ruky, navyše sa zariadenie ľahko udržiava, rýchlo čistí, bez typického masťného neporiadku.

Spotrebič je vybavený jedinečným, vysoko účinným halogénovým výhrevným telesom, ktoré počas prevádzky ohrieva a osvetľuje potraviny vo vnútri varnej zásuvky. Halogén je riadený obvodom termostatu a nepracuje nepretržite. Vizualný efekt osvetlenia je teda možné pozorovať len počas cyklu halogénového ohrevu. Počas prevádzky sa halogén zapína a vypína v rôznych intervaloch (v závislosti od teploty), čo je zámerné a je to správny režim prevádzky zariadenia.

Pretože bezpečnosť a spokojnosť používateľov sú našou najvyššou prioritou, zariadenie je vyrobené podľa najvyšších štandardov bezpečnosti a funkčnosti.

## Technické parametre

Názov produktu: Smart airfryer

Model výrobku: ABB-G24

Kapacita zásuvky: 3 l

Menovité napätie: 220 V

Menovitá frekvencia: 50 Hz

Menovitý výkon: 1200 W

## Popis hlavnej jednotky

Ilustrácia č. 1

1. Tepelný štít
2. Fritovacia doska
3. Rukoväť zásuvky
4. Sklenené telo zásuvky
5. Dotykový panel
6. Prívod vzduchu
7. Výstup horúceho vzduchu
8. Napájací kábel

## Popis ovládacieho panela

Ilustrácia č. 2

1. Krídla - 180 °C - 15 min
2. Stehno - 180 °C - 25 min
3. Rezne - 180 °C - 20 min
4. Steak - 180 °C - 12 min
5. Krevety - 170 °C - 10 minút
6. Ryby - 180 °C - 15 min
7. Čipsy - 180 °C - 18 min
8. Koláč - 160°C - 20 min
9. Bataty - 180 °C - 35 min
10. Vaječné koláče - 160 °C - 12 min
11. Gaštan - 180°C - 20 min
12. Rozmrazovanie - 80 °C - 25 min
13. (-)
14. Digitálny displej
15. Indikátor teploty
16. Ukazovateľ času
17. (+)
18. Tlačidlo PRE-SET
19. Tlačidlo TIME/TEMP
20. Tlačidlo MENU
21. Tlačidlo START/ZRUŠIŤ

## Príprava na použitie

1. Odstráňte všetky obalové materiály.
2. Gril a sklenenú zásuvku vyčistite horúcou vodou, čistiacim prostriedkom a neabrazívnou špongiou. Sklenené komponenty nie je možné čistiť v umývačke riadu.
3. Vnútornú a vonkajšiu stranu výrobku utrite vlhkou handričkou.
4. Tento výrobok umiestnite na stabilný a rovný povrch. Okolo výrobku by mal byť vyhradený dostatočný priestor, aby bola zabezpečená vzdialenosť aspoň 10 cm od povrchu k iným predmetom. Na vstupe alebo výstupe vzduchu by nemali byť umiestnené žiadne predmety. Výrobok neumiestňujte na povrch, ktorý nie je odolný voči teplu.

## Nastavenie a prvé použitie

1. Vložte do zásuvky fritovací tanier a položte naň jedlo. Potom zásuvku zasuňte do hlavného krytu, kým sa úplne nezatvorí.
2. Zapojte zariadenie a nastavte požadovaný čas a teplotu manuálne pomocou ovládacieho panela alebo vyberte požadovaný preddefinovaný program.
3. Stlačením tlačidla START/STOP spustíte pečenie. Ďalšie informácie o nastavení času a teploty nájdete v podkapitole "Ovládanie a prevádzka".
4. Potraviny v zásuvke podľa potreby pretrepte alebo otočte. Ak to chcete urobiť, vysuňte zásuvku a opatrne potraviny otočte alebo pretrepte. Zásuvku zasuňte späť do krytu, kým sa úplne nezatvorí. Spotrebí si zapamätať čas a nastavenia a bude automaticky pokračovať od okamihu prerušenia varenia.

**Poznámka:** Pri prvom použití môžete cítiť zvláštny zápach. Je to normálne a nie je to chyba výrobku. Do fritézy nikdy nelejte olej ani tuk.

## Používanie tepelného štítu

Zariadenie je vybavené tepelným štítom, ktorý oddeľuje horúce časti sklenenej misy a chráni používateľa pred popálením. Štít sa dá ľahko odstrániť na správne umytie sklenenej zásuvky. Vždy používajte tepelný štít, aby ste predišli riziku náhodného popálenia.

## Ovládanie a prevádzka

### Preddefinované programy

Stlačením tlačidla MENU v pohotovostnom režime vyberte 12 preddefinovaných programov. Na digitálnej obrazovke sa zobrazia čísla 01 až 12. Po výbere programu stlačte tlačidlo START/STOP, aby ste spustili pečenie; opätovným stlačením tohto tlačidla ho pozastavíte. V tomto čase na obrazovke displeja bliká číslo aktuálnej ponuky a ventilátor po 10 sekundách prestane pracovať. Pomocou tlačidiel +/- nastavte teplotu/čas. Stlačením tlačidla MENU na 2 sekundy sa vrátite na nastaviteľné číslo ponuky. Stlačením a podržaním tlačidla START/STOP na 2 sekundy v pracovnom stave sa vrátite do pohotovostného stavu.

**Poznámka:** Zariadenie má pamäť na programy. Otvorením sklenenej zásuvky sa pozastaví funkcia ohrevu, ale po opätovnom vložení zásuvky zariadenie pokračuje v prevádzke predchádzajúcich nastavení a zvoleného programu.

### Manuálna prevádzka

Po stlačení tlačidla TIME/TEMP teplota na obrazovke bliká, čo znamená, že teplotu možno nastaviť; po opätovnom stlačení tlačidla bliká nastavený čas, čo znamená, že čas možno nastaviť. Pri nastavovaní teploty kliknite na tlačidlá +/- pre zvýšenie alebo zníženie o 5 °C a dlhým stlačením tlačidiel +/- rýchlo zvýšte alebo znížte teplotu o 5 °C. Pri nastavovaní času kliknite na tlačidlá +/- pre zvýšenie alebo zníženie o 1 minútu a dlhým stlačením tlačidiel +/- rýchlo zvýšte alebo znížte čas o 1 minútu.

### Tlačidlo PRE-SET

Stlačením tlačidla MENU vyberte preddefinovaný program a potom stlačením tlačidla PRE-SET vyberte čas odloženého štartu. Čas na obrazovke bude blikáť, pomocou tlačidiel +/- nastavte čas v rozmedzí 1h - 18h. Stlačením tlačidla START/STOP spustíte odpočítavanie. Počas odpočítavania budú tlačidlá jednotky zablokované. Ak chcete odpočítavanie zastaviť, dlho stlačte tlačidlo START/STOP.

**Poznámka:** Nastavenie teploty a času v nasledujúcich receptoch je len orientačné. Nastavenia prispôbte skutočnej veľkosti jedla tak, že sami upravíte teplotu a čas.

## Čistenie a údržba

Pred čistením nechajte zariadenie úplne vychladnúť. Na utretie vonkajšej strany zariadenia použite čistú vlhkú handričku.

Zásuvku umyte horúcou vodou so saponátom a neabrazívnou špongiou. Fritovacia doska je vhodná do umývačky riadu. Fritovacia doska má nepriľnavý keramický povlak; na jej čistenie nepoužívajte kovové predmety ani abrazívne čistiace prostriedky. Ak sa v

dutine krytu nachádzajú zvyšky jedla alebo iné nečistoty, odstráňte ich vlhkou čistou handričkou a potom miesto osušte čistou suchou handričkou.

**Poznámka:** Kovové príbory alebo kliešte používajte opatrne a vyhňte sa priamemu kontaktu s povrchom podnosu. Na čistenie nepoužívajte abrazívne čistiace prostriedky (drôtenú kefu, abrazívne špongie, kovové nástroje atď.).

## Riešenie problémov

Nasledujúce problémy nemusia nevyhnutne znamenať, že zariadenie je chybné. Prečítajte si nasledujúcu časť, v ktorej sa dozviete jednoduché riešenia najčastejších problémov.

### Problém 1

Svetlo vo vnútri jednotky sa pravidelne zapína a vypína.

#### Informácie:

Halogénové vykurovacie teleso je riadené obvodom termostatu a nepracuje nepretržite. Počas prevádzky sa halogén zapína a vypína v rôznych intervaloch (v závislosti od teploty), čo je zámerné a správne.

### Problém 2

Jedlo je pripravené nerovnomerne.

#### Možná príčina:

Niektoré potraviny je potrebné počas varenia otáčať alebo pretrepávať.

#### Riešenie:

Počas chodu zariadenia vytiahnite zásuvku a pretrepte jej obsah alebo potraviny otočte vidličkou alebo kliešťami.

### Problém 3

Počas varenia vychádza zo zariadenia biely dym.

#### Možná príčina:

V zásuvke zariadenia sa nahromadil tuk/olej.

#### Riešenie:

Skontrolujte, či sa v zásuvke nenahromadil tuk alebo olej. Po každom varení zásuvku a fritovací plech vyčistite.

### Problém 4

Zásuvka sa nezasúva na miesto.

#### Možná príčina:

Zásuvka je príliš plná.

#### Riešenie:

Zásuvku nenapĺňajte nad jej kapacitu. Potraviny by nemali siahať nad hornú časť zásuvky.

## Záručné podmienky

1. Záruka sa vzťahuje len na skryté chyby, ktoré možno pripísať výrobcovi.
2. Reklamáciu vybaví predajné miesto alebo technický servis v rámci záruky, ak zákazník predloží:
  - a. platný a prehľadný záručný list, riadne vyplnený s pečiatkou predaja a podpisom predávajúceho,
  - b. platný doklad o kúpe s dátumom predaja,
  - c. nahlásený výrobok alebo chybný diel. V prípade nákupu na diaľku je záručný list platný výlučne s dokladom o kúpe (účtenka/faktúra).
3. Reklamácia je vyriešená do 14 dní od nahlásenia zákazníkom.
4. Výrobné chyby zistené v záručnej dobe sa bezplatne opravia do 21 dní od dodania výrobku na predajné miesto alebo do technického servisu.
5. Ak je na opravu potrebné doviezť diely, doba záručnej opravy sa môže predĺžiť o čas potrebný na dovoz dielu, najviac však o 40 dní.
6. Výluky zo záruky:
  - a. mechanické poškodenie a súvisiace chyby,
  - b. poškodenia a závady spôsobené nesprávnym používaním a nevhodným skladovaním, montážou a údržbou,
  - c. poškodenie a opotrebovanie takýchto spotrebných prvkov,
  - d. činnosti súvisiace s montážou alebo údržbou, ktoré sú povinnosťou používateľa v súlade s príručkou.
7. Záruka sa neuplatňuje, ak:
  - a. je po uplynutí doby platnosti,
  - b. zákazník výrobok opravil alebo upravil s použitím neoriginálnych dielov,
  - c. závada vznikla v dôsledku nesprávnej inštalácie alebo nedodržania pravidiel správnej prevádzky podľa návodu,
  - d. výrobok sa používa na iné účely ako na použitie v domácnosti,
  - e. došlo k poškodeniu počas prepravy.
8. Duplikáty záručného listu sa nevydávajú.

9. Zákazník má nárok na bezplatnú kompenzáciu:
  - a. oprava výrobku,
  - b. výmena výrobku,
  - c. znížená cena,
  - d. vypovedanie zmluvy a náhradu nákladov v plnej výške.
10. Nahlásenie pohľadávky:
  - a. Prezentujte výrobok alebo jeho nahlásenú časť.
  - b. Predložte doklad o kúpe s menom a adresou predajcu, dátumom a miestom nákupu, typom výrobku alebo platný záručný list s pečiatkou predajného miesta.
  - c. Ak je výrobok dodaný znečistený, technický servis ho môže odmietnuť prevziať alebo ho vyčistiť na náklady zákazníka po jeho písomnom súhlase.
11. Ak je reklamácia uznaná, zariadenie sa opraví alebo vymení za nové, prípadne sa zákazníkovi uhradia náklady. Náklady na dopravu zo servisu výrobcu pokrýva servis.
12. Ak je reklamácia zamietnutá, zákazníkovi sa poskytne podrobné odôvodnenie rozhodnutia a zariadenie sa mu zašle na jeho náklady do 14 dní od vydania rozhodnutia.

## Využitie

nakladanie s odpadom z elektrických a elektronických zariadení po skončení životnosti (právne predpisy o OEEZ).

Označenie na obale, príslušenstve alebo v návode na obsluhu uvádza, že vyradené zariadenie a pripojené elektronické príslušenstvo by sa nemalo umiestňovať do kontajnerov na komunálny odpad spolu s iným odpadom z domácností.

Nesprávna manipulácia s elektronickým odpadom môže mať za následok vniknutie kontaminantov do životného prostredia alebo ohrozenie zdravia v dôsledku nesprávnej likvidácie. Oddel'te tento odpad od ostatného odpadu a recyklujte ho, aby sa suroviny mohli opätovne použiť. V prípade recyklácie umožňujú opätovné použitie surovín.

## Säkerhetsinstruktioner & meddelande

Läs igenom denna bruksanvisning noggrant för att få en bättre förståelse för hur produkten ska användas. Vissa viktiga säkerhetstips, bland annat följande, ska följas under användningen.

- Apparaten tillagar mat med hjälp av varmluft, utan att använda någon olja. Håll aldrig olja i enheten. Detta kan orsaka brand, personskada, skada på enheten och göra garantin ogiltig.
- Vi rekommenderar att du ansluter enheten till elnätet utan att använda förlängningssladdar. Den korta nätsladden är särskilt utformad som en säkerhetsåtgärd för att minska risken för att barn tar tag i eller leker med sladden och över att skydda användaren från att snubbla över en lång nätsladd.
- Denna apparat är endast avsedd för inomhusbruk. Använd aldrig enheten utomhus.
- Apparaten blir varm under drift. Var försiktig när du hanterar enheten och tillbehören för att undvika brännskador eller skador.
- Kontrollera före användning att enheten är placerad på en jämn, ren och torr yta.
- Placera apparaten utom räckhåll för barn eller personer som på grund av fysiska, sensoriska eller psykiska funktionshinder inte kan använda den på ett säkert sätt.
- För att eliminera risken för att små barn sätter i halsen ska du ta bort och kassera skyddsfilmerna och plastförpackningarna för tillbehören från enheten.
- Placera inte enheten nära heta gas-, keramik-, induktions- eller elektriska brännare. Om du gör det kan det leda till personskadorna, skador på enheten och att garantin upphör att gälla.
- För att undvika elektriska stötar får du aldrig doppa enhetens nätsladd i vatten eller annan vätska. Skölj inte apparatens hölje med vatten eller annan vätska. Om du gör det kan det leda till personskadorna, skador på enheten och att garantin upphör att gälla.
- Var ytterst försiktig när du hanterar varm mat och heta ytor.
- Flytta inte enheten när den är påslagen och i drift. Om du gör det kan det leda till personskadorna, skador på enheten och att garantin upphör att gälla.
- Stekplattan, stålgaflret och spetten kan bli mycket heta under och efter stekningen. Använd ugnshandskar för att undvika brännskador.
- Inspektera apparaten, dess nätsladd och stickpropp regelbundet. Använd inte enheten om nätsladden eller stickkontakten är skadad. Om enheten inte fungerar som den ska eller är skadad på något sätt, kontakta 4Swiss Customer Service Center.
- Apparaten är endast avsedd för hemmabruk. Använd aldrig apparaten som professionell cateringutrustning eller för något annat ändamål än det den är avsedd för. Om du gör det kan enheten skadas och garantin upphöra att gälla.
- Använd inte slipande rengöringsmedel, stålull eller skurmedel för att rengöra enheten. Se avsnittet "Rengöring och underhåll" för mer information.
- För att undvika skador, dra inte sladden över kanten på bänkskivan.
- Täck inte över luftintagen/luftutsläppen på apparatens baksida när den är i drift. Detta kan leda till ojämn tillagning och skador på apparaten.
- Anslut inte enheten till en extern timer eller ett separat fjärrkontrollsystem.
- Lämnar ett fritt utrymme på minst 10 cm runt enheten så att luften kan cirkulera ordentligt.
- Använd inte enheten eller dess tillbehör i en mikroovnsugn, brödrost, varmluftsgugn, gasugn, elektrisk ugn eller på en keramik-, el-, gas- eller induktionshäll eller grill. Om du gör det kan det leda till personskadorna, skador på enheten och att garantin upphör att gälla.
- Se till att enheten är ren före användning. Håll nätsladden borta från heta ytor.
- Apparaten är utrustad med en 3-ledad jordad stickkontakt. Anslut alltid nätkabeln till ett jordat eluttag.
- Dra ur kontakten och låt apparaten svalna innan du rengör eller förvarar den.
- Värm inte förseglade matburkar i enheten. Om du gör det kan det leda till personskadorna, skador på enheten och att garantin upphör att gälla.
- Lägg inte in livsmedel i behållare som inte är lämpliga för höga temperaturer, t.ex. plastpåsar, polystyrenbehållare, plast- och pappersförpackningar i apparaten. Det är tillåtet att använda specialpåsar och bakhylsar, men de måste användas med särskild försiktighet. Tänk på att bakhylsan ökar i volym under bakningen och det är absolut nödvändigt att se till att hylsan inte vidrör halogenvärmaren och dess lock.
- Använd endast enheten med tillbehör från märket 4Swiss. Användning av tillbehör från tredje part kan skada enheten och upphäva garantin.
- Placera inte enheten på eller i närheten av lättantändliga ytor/material, t.ex. kuddar, dukar eller gardiner. Om du gör det kan det leda till personskadorna, skador på enheten och att garantin upphör att gälla.
- Varm luft strömmar ut genom luftutsläppet när enheten används. För att undvika skador ska du alltid hålla händer och ansikte borta från ventiler och luftutlopp.
- Var försiktig när du öppnar apparatens låda för att undvika skador.
- Om det börjar komma rök ur apparaten ska du omedelbart dra ut kontakten och skingra röken innan du öppnar lådan.
- Se till att maten inte sticker ut över sidorna på enhetens låda. Om lådan fylls till bristningsgränsen kan det leda till personskadorna, skador på apparaten och att garantin upphör att gälla.
- Fyll aldrig apparaten med olja. Om du gör det kan det leda till personskadorna, skador på apparaten och att garantin upphör att gälla.

## Produktfunktioner

4Swiss ABB-G24 frittös cirkularer ultravarm luft runt maten, vilket eliminerar behovet av att använda olja som vanligtvis skulle användas. Det intensiva varmluftsinflödet säkerställer hälsosammare måltider samtidigt som det ger en fantastisk smak av mat som blir härligt krispig på utsidan och perfekt tillagad på insidan. Krispiga pommes frites, grönsaker, kyckling, fisk, biffar och mycket mer kommer att vara bara en armlängds avstånd bort, plus att enheten är lätt att underhålla, snabb att rengöra och fri från den typiska oljiga röran.

Apparaten är utrustad med ett unikt, mycket effektivt halogenvärmeelement som både värmer och belyser maten i matlagingslådan under drift. Halogenen styrs av termostatkretsen och är inte i kontinuerlig drift. Den visuella belysningseffekten kan därför endast observeras under halogenuppvärmningscykeln. Under drift slås halogenen på och av med varierande intervall (temperaturberoende), vilket är avsiktligt och är det korrekta sättet för enhetens drift.

Eftersom säkerhet och nöjda användare är vår högsta prioritet, är enheten byggd enligt de högsta standarderna för säkerhet och funktionalitet.

## Tekniska parametrar

Produktnamn: Smart airfryer  
Produktmodell: ABB-G24  
Lådans kapacitet: 3L  
Nominell spänning: 220V  
Nominell frekvens: 50Hz  
Nominell effekt: 1200W

## Beskrivning av huvudenheten

Illustration nr 1

1. Värmesköld
2. Stekplatta
3. Lådans handtag
4. Lådhölje av glas
5. Touchpanel
6. Luftintag
7. Varmluftsutlopp
8. Strömsladd

## Beskrivning av kontrollpanelen

Illustration nr 2

1. Vingar - 180°C - 15 min
2. Trumstock - 180°C - 25 min
3. Spareribs - 180°C - 20 min
4. Biff - 180°C - 12 min
5. Räkor - 170°C - 10 min
6. Fisk - 180°C - 15 min
7. Chips - 180°C - 18 min
8. Tårta - 160°C - 20 min
9. Yams - 180°C - 35 min
10. Äggårter - 160°C - 12 min
11. Kastanj - 180°C - 20 min
12. Upptining - 80°C - 25 min
13. (-) knapp
14. Digital display
15. Temperaturindikator
16. Tidsindikator
17. (+) knapp
18. PRE-SET-tangent
19. TIME/TEMP-tangent
20. Knapp MENU
21. START/AVBRYT tangent



## Förberedelse för användning

1. Ta bort allt förpackningsmaterial.
2. Rengör grillen och glaslådan med varmt vatten, diskmedel och en icke-slipande svamp. Glasdetaljerna kan inte rengöras i diskmaskin.
3. Torka av produkten på in- och utsidan med en fuktig trasa.
4. Placera produkten på en stabil och plan yta. Det bör finnas tillräckligt med utrymme runt produkten för att säkerställa att det finns ett avstånd på minst 10 cm från ytan till andra föremål. Inga föremål får placeras i luftintaget eller luftutsläppet. Placera inte produkten på en yta som inte är värmebeständig.

## Installation och första användning

1. Placera stekplattan i lådan och lägg maten på den. Skjut sedan in lådan i huvudhöljet tills den är helt stängd.
2. Koppla in enheten och ställ in önskad tid och temperatur manuellt med hjälp av kontrollpanelen eller välj önskat fördefinierat program.
3. Tryck på START/STOP-knappen för att starta bakningen. Mer information om hur du ställer in tid och temperatur finns i avsnittet "Reglage och användning".
4. Skaka eller vänd livsmedlen i lådan vid behov. För att göra detta, skjut ut lådan och vänd eller skaka försiktigt maten. Skjut tillbaka lådan i höljet tills den är helt stängd. Apparaten kommer ihåg tiden och inställningarna och fortsätter automatiskt från det ögonblick då tillagningen avbröts.

**Obs:** Du kan känna en märklig lukt när du använder den för första gången. Detta är normalt och inte ett produktfel. Håll aldrig olja eller fett i airfryern.

## Använda den termiska skölden

Apparaten är utrustad med ett värmskydd som separerar de varma delarna av glasskålen och skyddar användaren från brännskador. Skyddet är lätt att ta bort för korrekt diskning av glaslådan. Använd alltid värmskyddet för att undvika risken för oavsiktliga brännskador.

## Reglage och drift

### Fördefinierade program

Tryck på MENU-knappen i standby-läge för att välja 12 fördefinierade program. På den digitala skärmen visas siffrorna 01 till 12. När du har valt program trycker du på START/STOP-knappen för att starta bakningen; tryck på knappen igen för att pausa. Då blinkar det aktuella menynumret på displayen och fläkten stannar efter 10 sekunder. Använd knapparna +/- för att ställa in temperatur/tid. Tryck på MENU-knappen i 2 sekunder för att återgå till det inställbara menynumret. Håll START/STOP-knappen intryckt i 2 sekunder i arbetsläge för att återgå till standby-läge.

**Obs:** Apparaten har ett programminne. Om du öppnar glaslådan pausas värmefunktionen, men när lådan sätts tillbaka fortsätter enheten att använda tidigare inställningar och det valda programmet.

### Manuell drift

När du trycker på TIME/TEMP-knappen blinkar temperaturen på skärmen, vilket indikerar att temperaturen kan ställas in; när du trycker på knappen igen blinkar den inställda tiden, vilket indikerar att tiden kan ställas in. När du ställer in temperaturen, klicka på +/- knapparna för att öka eller minska 5 °C och tryck länge på +/- knapparna för att snabbt öka eller minska 5 °C. När du ställer in tiden klickar du på knapparna +/- för att öka eller minska 1 minut och trycker länge på knapparna +/- för att snabbt öka eller minska 1 minut.

### PRE-SET-tangent

Tryck på MENU-knappen för att välja fördefinierat program och tryck sedan på PRE-SET-knappen för att välja en fördröjd starttid. Tiden på skärmen blinkar, använd +/- knapparna för att ställa in tiden mellan 1h - 18h. Tryck på START/STOP-knappen för att starta nedräkningen. Under nedräkningen kommer enhetens knappar att vara låsta. För att stoppa nedräkningen, tryck länge på START/STOP-knappen.

**Obs:** Temperatur- och tidsinställningarna för följande recept är endast avsedda som referens. Anpassa inställningarna till den faktiska storleken på måltiden genom att själv korrigera temperatur och tid.

## Rengöring och underhåll

Låt apparaten svalna helt före rengöring. Använd en ren, fuktig trasa för att torka av apparatens utsida.

Diska lådan med varmt vatten, diskmedel och en icke-slipande svamp. Stekplattan kan diskas i diskmaskin. Stekplattan har en non-stick keramisk beläggning; använd inte metallföremål eller slipande rengöringsmedel för att rengöra dem. Om det finns matrester eller annat skräp i höljets hålrum, ta bort det med en fuktig, ren trasa och torka sedan området med en ren, torr trasa.

**Obs:** Använd metallbestick eller tänger med försiktighet och undvik direktkontakt med brickans yta. Använd inte slipande rengöringsmedel (stålborste, slipande svampar, metallverktyg etc.) för rengöring.

## Felsökning

Följande problem behöver inte betyda att det är fel på apparaten. Läs följande avsnitt för att lära dig enkla lösningar på de vanligaste problemen.

### Problem 1

Lampan inuti enheten tänds och släcks med jämna mellanrum.

#### Information:

Halogenvärmeelementet styrs av termostatkretsen och arbetar inte kontinuerligt. Under drift slås halogenen på och av med varierande intervall (temperaturberoende), vilket är avsiktligt och korrekt.

### Problem 2

Maten tillagas ojämnt.

#### Möjlig orsak:

Vissa livsmedel måste vändas eller skakas under tillagningen.

#### Lösning:

När apparaten är igång kan du dra ut lådan och skaka innehållet eller vända maten med en gaffel eller tång.

### Problem 3

Vit rök kommer ut ur apparaten under tillagningsprocessen.

#### Möjlig orsak:

Fett/olja har samlats i enhetens låda.

#### Lösning:

Se till att inget fett eller olja har samlats i lådan. Rengör lådan och frityrplattan varje gång efter tillagningen.

### Problem 4

Lådan glider inte på plats.

#### Möjlig orsak:

Lådan är för full.

#### Lösning:

Fyll inte lådan mer än vad den rymmer. Livsmedlen får inte nå över lådans övre kant.

## Villkor och bestämmelser för garanti

1. Garantin omfattar endast dolda fel som kan hänföras till tillverkaren.
2. Reklamationen ska behandlas av försäljningsstället eller den tekniska service som omfattas av garantin om Kunden producerar:
  - a. ett giltigt och tydligt garantikort som är korrekt ifyllt med säljarens stämpel och underskrift,
  - b. ett giltigt inköpsbevis med försäljningsdatum,
  - c. den rapporterade produkten eller den defekta delen. Vid köp på distans är garantikortet giltigt endast mot uppvisande av inköpsbevis (kvitto/faktura).
3. Reklamationen ska lösas inom 14 dagar från det att kunden har anmält den.
4. Tillverkningsfel som upptäcks under garantiperioden ska repareras kostnadsfritt inom 21 dagar efter det att produkten har levererats till försäljningsstället eller teknisk service.
5. Om det är nödvändigt att importera delar för reparationen, kan garantireparationsperioden förlängas med den tid som krävs för att importera delen, dock inte längre än 40 dagar.
6. Undantag från garanti:
  - a. mekaniska skador och relaterade defekter,
  - b. skador och defekter till följd av felaktig användning och olämplig förvaring, montering och underhåll,
  - c. skador och slitage på sådana förbrukningsartiklar,
  - d. aktiviteter i samband med montering eller underhåll som är användarens skyldighet i enlighet med bruksanvisningen.
7. Garantin ska inte gälla när:
  - a. den har passerat sin giltighetstid,
  - b. Kunden har reparerat eller modifierat produkten med hjälp av icke-originaldelar,
  - c. felet beror på felaktig installation eller underlåtenhet att följa de regler för korrekt användning som anges i bruksanvisningen,
  - d. produkten används för andra ändamål än hushållsbruk,

- e. skador som uppstått under transport.
8. Inga kopior av garantikortet utfärdas.
9. Kunden har rätt till följande kostnadsfria ersättning:
  - a. reparation av produkter,
  - b. ersättning av produkt,
  - c. reducerat pris,
  - d. uppsägning av ett avtal och full kostnadsersättning.
10. För att anmäla en skada:
  - a. Presentera produkten eller dess rapporterade del.
  - b. Visa upp ett inköpsbevis med säljarens namn och adress, inköpsdatum och inköpsställe, typ av produkt eller giltigt garantikort med stämpel från försäljningsstället.
  - c. Om produkten levereras smutsig kan den tekniska tjänsten vägra att ta emot den eller rengöra den på kundens bekostnad efter skriftligt godkännande.
11. Om reklamationen godkänns repareras enheten eller ersätts med en ny, eller så får kunden ersättning. Transportkostnader från tillverkarens service omfattar service.
12. Om reklamationen avslås får kunden en detaljerad motivering till beslutet och utrustningen skickas till kunden på dennes bekostnad inom 14 dagar efter det att beslutet meddelats.

### Utnyttjande

Hantering av uttjänt avfall från elektrisk och elektronisk utrustning (WEEE-lagstiftningen).

Märkningen på förpackningen, tillbehören eller bruksanvisningen anger att uttjänt utrustning och tillhörande elektroniska tillbehör inte får läggas i kommunala avfallsbehållare tillsammans med annat hushållsavfall.

Felaktig hantering av elektroniskt avfall kan leda till att föroreningar kommer ut i miljön eller till hälsorisker på grund av felaktig avfallshantering. Separera detta avfall från annat avfall och återvinn det så att råvarorna kan återanvändas. För återvinning tillåter de återanvändning av råvaror.

## DECLARATION OF CONFORMITY



4Swiss Polska Sp. z o.o.  
al. Armii Ludowej 6/164  
00-571 Warsaw  
NIP: 929 18 63 212

On the basis of certification tests carried out by TUV Rheinland, according to test No. CN23YW6T 001 dated 05.05.2023, we declare with full responsibility that the product:

PRODUCT TYPE: Air Fryer  
MODEL: 4Swiss ABB-G24

to which this declaration relates complies with the requirements of the European Union directives and is in conformity in particular with the following standards and directives:

Directive 2014/30/EU  
according to standards:

EN IEC 55014-1:2021  
EN IEC 55014-2:2021  
EN IEC 6100-3-2: 2019+A1  
EN 61000-3-3:2013 +A1+A2

Signed by:  
Marcin Pawełczyk, CEO  
Warsaw 2024.05.07



Importer:  
4Swiss Polska Sp. z o.o.  
Aleja Armii Ludowej 6/164  
00-571 Warsaw  
[www.4swiss.eu](http://www.4swiss.eu)



Made in China