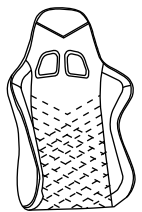



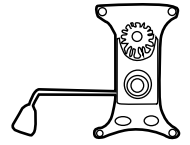

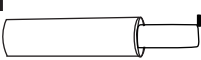
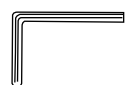



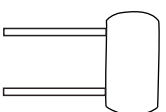
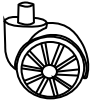











<b>A</b> x 1 	<b>I</b> x 8  M8x25mm
<b>B</b> x 1 	<b>J</b> x 8  M8x30mm
<b>C</b> x 1 	<b>L</b> x 4  M5x8mm
<b>D</b> x 1 	<b>M</b> x 1 
<b>E</b> x 1 	<b>N</b> x 2 
<b>F</b> x 1 	<b>O</b> x 1 
<b>G</b> x 5 	<b>P</b> x 1  
<b>H</b> x 2 	<b>Q</b> x 1  
	<b>R</b> x 4 
	<b>S</b> x 1 
	<b>T</b> x 4 
	<b>U</b> x 1  GREASE

